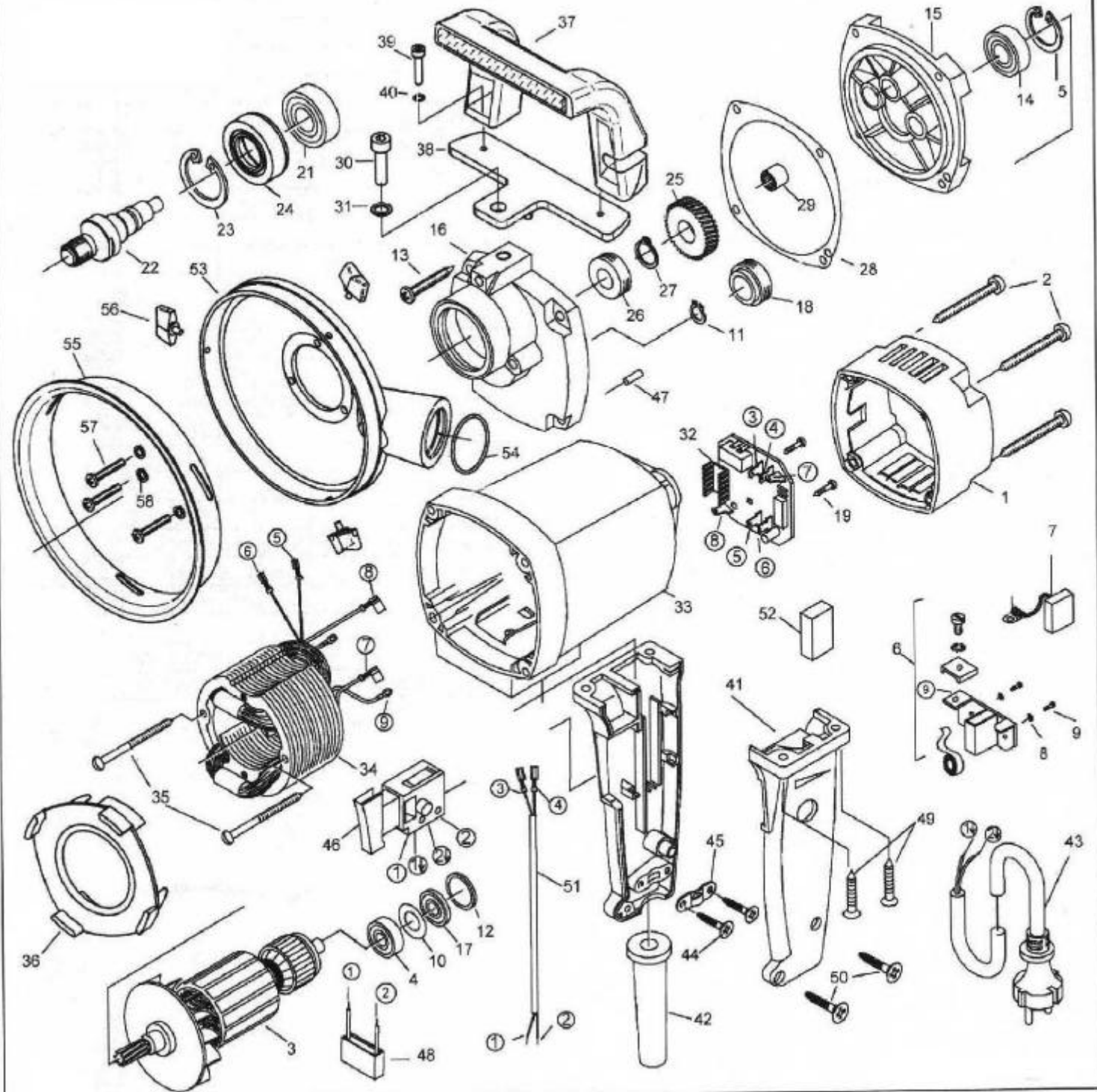


CS UNITEC, INC.
22 Harbor Avenue
Norwalk, CT 06850
Website: www.csunitec.com
Email: info@csunitec.com

EPF 1500 - SCHEMATIC



Not responsible for typographical errors.

POS. NO.	ITEM NO.	DESCRIPTION	
1	80900093	Cap	
2	80201267	Screw	Replaces 050.0112
3	75513100	Disk	
4	80410011	Bearing	Replaces 032.0221
5	80201333	Safety Ring 28/1.2	Replaces 050.0166
6	80201196	Carbon Brush Holder	Replaces 050.0371
7	80700013	Carbon Brush	Replaces 050.0147
8	80201385	Spring Disk 34	
9	80201180	Screw CM4x12	
10	82000951	Disk	
11	80201308	Snap Ring	
12	83000036	O-Ring	Replaces 050.0116
13	80201283	Screw, Self Tapping	
14	80410031	Bearing	Replaces 032.0171
15	76301610	End Shield	
16	76401400	Gear Case	
17	80701005	Magnet Ring	
18	75513125	Seal	
19	80201252	Screw, Self Tapping	
21	80410143	Grooved Ball Bearing	
22	76510420	Spindle	
23	80201339	C-Clip	
24	76305425	Bushing	
25	75510432	Spindle Wheel	
26	76301126	Worm Seal 2	
27	80201318	Locking Ring	
28	82000054	Seal	
29	80420110	Needle Sleeve	Replaces 050.0161
30	80201146	Screw	
31	80201380	Washer	
32	80601144	Circuit Board	
33	80900092	Motor Housing	
34	7132B150	Ring	
35	80201266	Screw	Replaces 032.0156
36	80900094	Ring	
37	76510590	Handle	
38	76510595	Handle Plate	
39	80201208	Fillister-Head Screw	
40	80201374	Disk	
41	80900097	Pair of Handle Halfs	
42	83000004	Cable Sleeve	
43	80600060	Connection Cable	
44	80201270	Screw	
45	85000020	Clip	

CS Unitec, Inc.

22 Harbor Ave, Norwalk, CT 06850

Telephone: 203-853-9522 Toll Free: 800-700-5919 Fax: 203-853-9921

WebSite: www.csunitec.com E-Mail: info@csunitec.com

Not responsible for typographical errors.

POS. NO.	ITEM NO.	DESCRIPTION	
46	80600143	Switch	
47	80200582	Notched Pin	Replaces 032.0211
48	80500010	Condensor-SEE #80500014	
49	80201280	Screw	
50	80201271	Screw 4.2x16	
51	80600078	Switch	
52	80600306	USE 73320210	
53	76510575	Exhaust Hood	
54	83000047	O-Ring	
55	76510580	Cover	
56	80201235	REPLACED BY 80201407	
57	80201202	Screw	
58	80201302	Spring Ring	

CS Unitec, Inc.

22 Harbor Ave, Norwalk, CT 06850

Telephone: 203-853-9522 Toll Free: 800-700-5919 Fax: 203-853-9921

WebSite: www.csunitec.com E-Mail: info@csunitec.com