

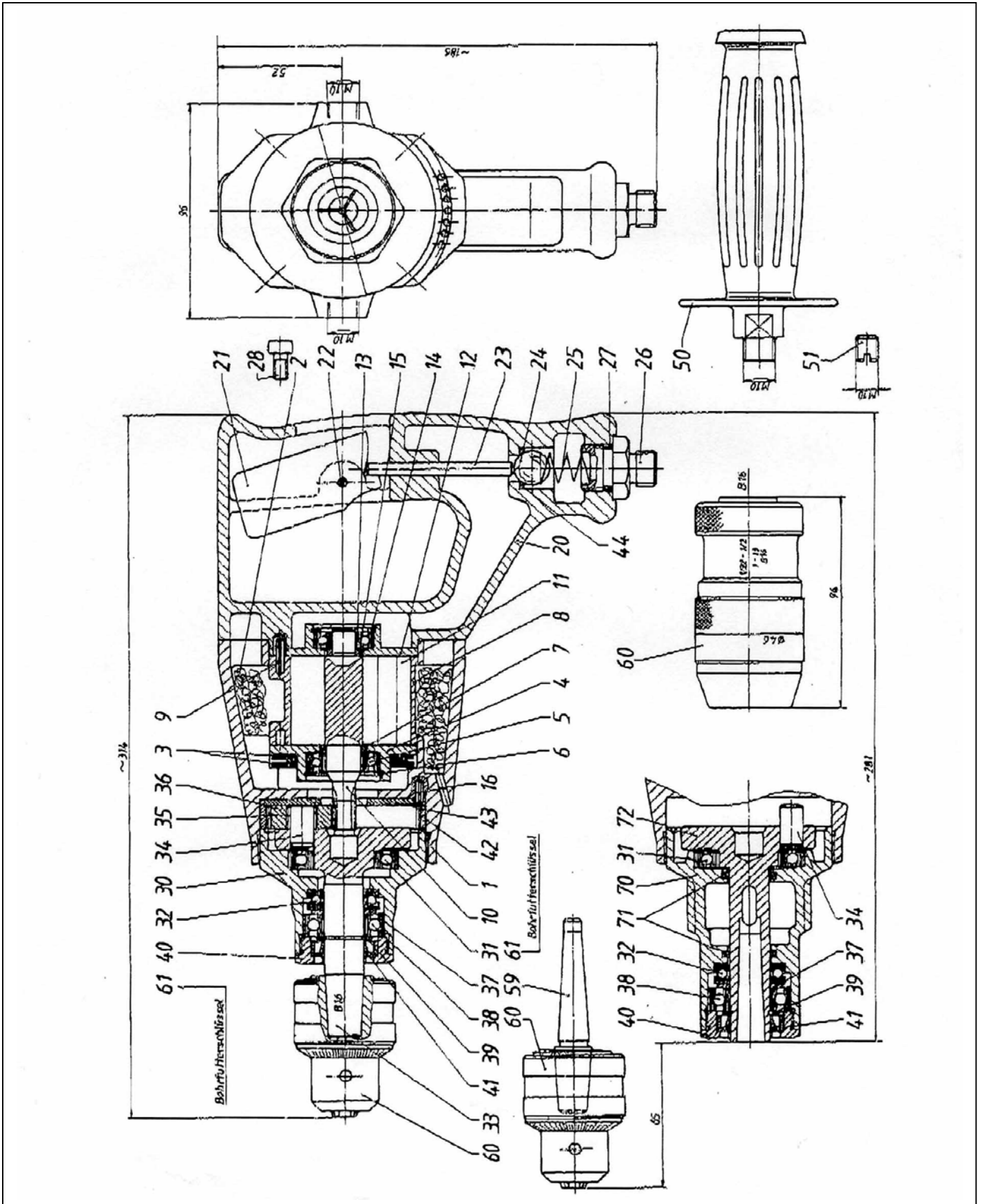
CS UNITEC, INC.

22 Harbor Avenue
Norwalk, CT 06850

Website: www.csunitec.com

Email: info@csunitec.com

Model 2 1311 0010 – Air Drill



*Prices to change without notice.
Not responsible for typographical errors.*

POS. NO.	ITEM NO.	DESCRIPTION	
1	2 1311 1010	Motor Housing	
2	1 2034 6100	Sound Absorber	
3	9 1802 0260	Spring, Belleville	
4	7 1401 1100	End Plate	
5	9 1003 0030	Bearing	SEE # 101 583
6	9 1703 0100	Snap Ring	
7	1 1501 1090	Spacer	
8	1 1379 1020	Cylinder Bushing	
9	9 1630 0510	Adaptor Sleeve	
10	2 1311 1030	Rotor	
11	2 1310 1050	Vane (6 Required)	
12	2 1310 1110	End Plate	
13	9 1003 0010	Bearing	4-17-01-010-05-4
14	9 1703 0050	Ring, Snap	4-26-16-001-00-5
15	2 1301 1090	Spacer	
16	9 1630 0140	Clip	Replaces # 9 1626 0070
20	2 1310 6010	D-Handle	
21	2 1311 3040	Valve Pusher	
22	9 1641 0020	Pin, Notched	
23	9 1637 1730	Pin, cylindrical	
24	9 1017 0080	Ball	
25	9 1803 0250	Spring, Compression	
26	9 2205 1190	Nipple	
27	9 1901 3230	O Ring	
28	9 1110 4010	Screw	
31	9 1002 0040	Grooved Ball Bearing	
32	9 1021 0040	Journal Bearing	
34	9 1631 0170	Cylindrical Pin	
35	9 1015 0110	Needle Cage	
36	2 1301 4040	Planetary Wheel	
37	9 3331 0230	Fitting Washer	
38	80410043	Bearing 6003	
39	9 1702 0100	Snap Ring	
40	2 1311 4100	Cover Lid	
41	9 1905 0020	Radial Shaft Seal	
42	2 1301 4020	Rim of the gear	
43	2 1311 4080	Washer	
44	9 1903 0160	Sealing	
50	2 1312 6010	Handle	
70	2 1302 7910	Neck Assembly	
71	9 1902 0090	Felt Ring	
72	2 1311 4910	Planet Carrier	

CS Unitec, Inc.

22 Harbor Ave, Norwalk, CT 06850

Telephone: 203-853-9522 Toll Free: 800-700-5919 Fax: 203-853-9921

WebSite: www.csunitec.com E-Mail: info@csunitec.com