

**CS UNITEC, INC.**

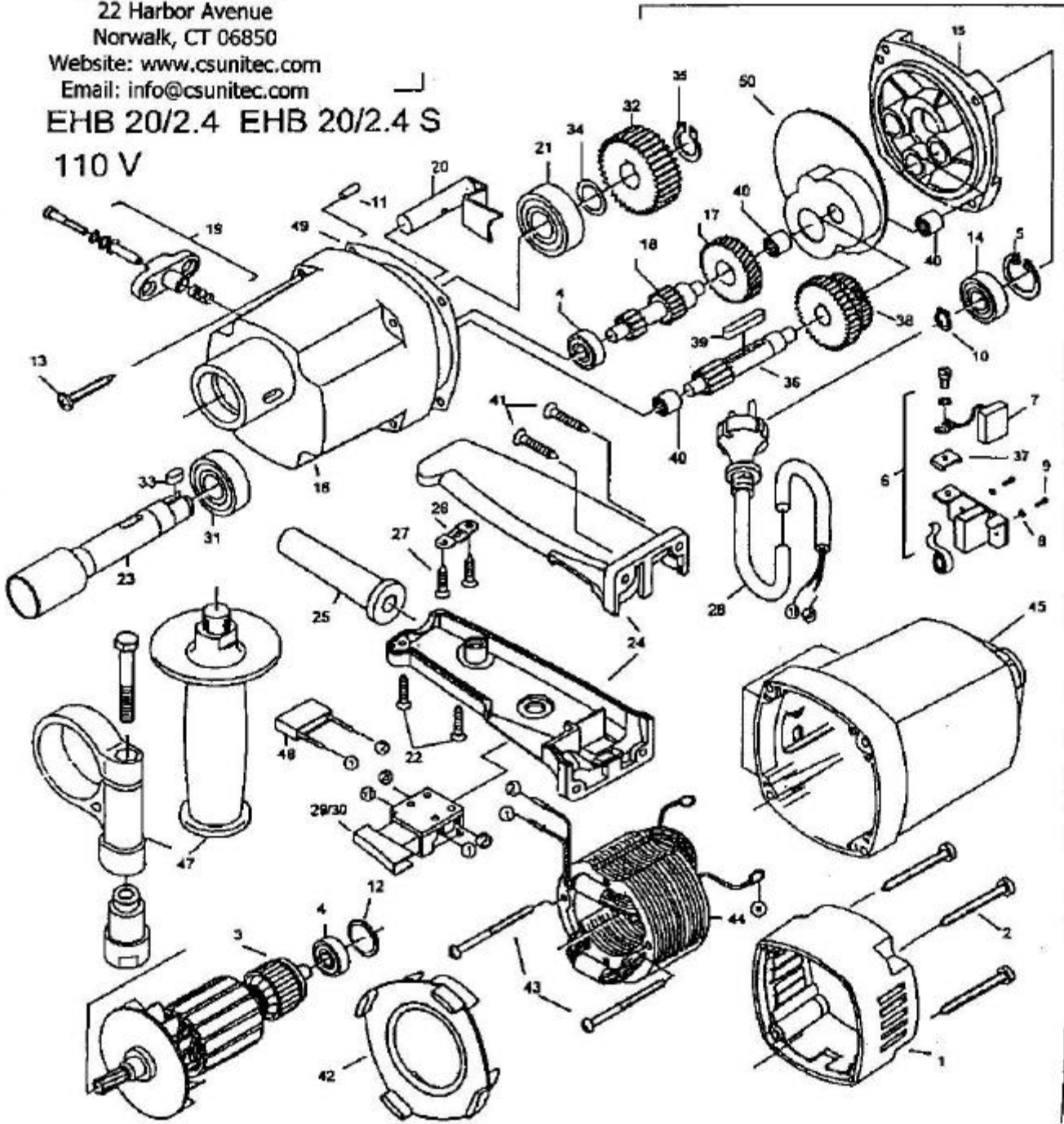
22 Harbor Avenue  
Norwalk, CT 06850

Website: [www.csunitec.com](http://www.csunitec.com)

Email: [info@csunitec.com](mailto:info@csunitec.com)

**EHB 20/2.4 EHB 20/2.4 S**

**110 V**



*Not responsible for typographical errors.*

| <b>POS. NO.</b> | <b>ITEM NO.</b> | <b>DESCRIPTION</b>       |                   |
|-----------------|-----------------|--------------------------|-------------------|
| 1               | 7132A240        | Cap, Motor               |                   |
| 2               | 80201267        | Screw                    | Replaces 050.0112 |
| 3               | 7132D100        | Armature                 | Replaces 050.0186 |
| 4               | 80410011        | Bearing                  | Replaces 032.0221 |
| 5               | 80201333        | Safety Ring 28/1.2       | Replaces 050.0166 |
| 6               | 80201196        | Carbon Brush Holder      | Replaces 050.0371 |
| 7               | 80700013        | Carbon Brush             | Replaces 050.0147 |
| 8               | 80201385        | Spring Disk 34           |                   |
| 9               | 80201180        | Screw CM4x12             |                   |
| 10              | 80201320        | Safety Ring              | Replaces 050.0176 |
| 11              | 80200582        | Notched Pin              | Replaces 032.0211 |
| 12              | 83000036        | O-Ring                   | Replaces 050.0116 |
| 13              | 80201284        | Screw                    | Replaces 032.0106 |
| 14              | 80410031        | Bearing                  | Replaces 032.0171 |
| 15              | 7132A610        | Gear Cap                 | Replaces 050.0236 |
| 16              | 71323400        | Gear Housing             | Replaces 050.0206 |
| 17              | 7132A470        | Gear                     | Replaces 050.0251 |
| 18              | 71323500        | Gear Shaft               | Replaces 050.0246 |
| 19              | 71540545        | Gear Switch              | Replaces 040.0286 |
| 20              | 71323520        | Shift Arm Complete       | Replaces 050.0291 |
| 21              | 80410130        | Bearing                  | Replaces 050.0221 |
| 22              | 80201271        | Screw 4.2x16             |                   |
| 23              | 71323420        | Drive Shaft              | Replaces 050.0191 |
| 24              | 80900097        | Pair of Handle Halfs     |                   |
| 25              | 71323255        | Cable Sleeve             |                   |
| 26              | 71540330        | Locking Flange           |                   |
| 27              | 80201270        | Screw                    |                   |
| 28              | 80600060        | Connection Cable         |                   |
| 29              | 80600143        | Switch                   |                   |
| 30              | 80600140        | Switch "S"               |                   |
| 31              | 80410152        | Ball Bearing             | Replaces 050.0466 |
| 32              | 71323430        | Gear                     |                   |
| 33              | 80200601        | Key                      | Replaces 050.0431 |
| 34              | 80200504        | Fitting Washer           | Replaces 050.0181 |
| 35              | 80201322        | Locking Ring             |                   |
| 36              | 71223460        | Gear Shaft               | Replaces 050.0231 |
| 37              | 73320210        | Contact Washer           |                   |
| 38              | 71323440        | Gear                     | Replaces 050.0171 |
| 39              | 80200602        | Fitting Spring, hardened | Replaces 050.0301 |
| 40              | 80420110        | Needle Sleeve            | Replaces 050.0161 |
| 41              | 80201280        | Screw                    |                   |
| 42              | 7132A140        | Air Guiding Ring         | Replaces 050.0261 |
| 43              | 80201266        | Screw                    | Replaces 032.0156 |

CS Unitec, Inc.

22 Harbor Ave, Norwalk, CT 06850

Telephone: 203-853-9522 Toll Free: 800-700-5919 Fax: 203-853-9921

WebSite: [www.csunitec.com](http://www.csunitec.com) E-Mail: [info@csunitec.com](mailto:info@csunitec.com)

*Not responsible for typographical errors.*

| <b><u>POS. NO.</u></b> | <b><u>ITEM NO.</u></b> | <b><u>DESCRIPTION</u></b> |                   |
|------------------------|------------------------|---------------------------|-------------------|
| 44                     | 7132D150               | Field                     | Replaces 050.0277 |
| 45                     | 7132A200               | Motor Housing             | Replaces 050.0141 |
| 46                     | 80500010               | Condensor-SEE #80500014   |                   |
| 47                     | 7132A695               | Handle Complete           |                   |
| 49                     | 77324620               | Seal, Gearbox             |                   |
| 50                     | 7132A625               | Grease Chamber            | Replaces 052.0211 |

CS Unitec, Inc.

22 Harbor Ave, Norwalk, CT 06850

Telephone: 203-853-9522 Toll Free: 800-700-5919 Fax: 203-853-9921

WebSite: [www.csunitec.com](http://www.csunitec.com) E-Mail: [info@csunitec.com](mailto:info@csunitec.com)