

CS UNITEC, INC.
 22 Harbor Avenue
 Norwalk, CT 06850
 Tel: 800-700-5919
 Fax: 203-853-9921

SPARE PARTS LIST

DESCRIPTION

Motor with Handle

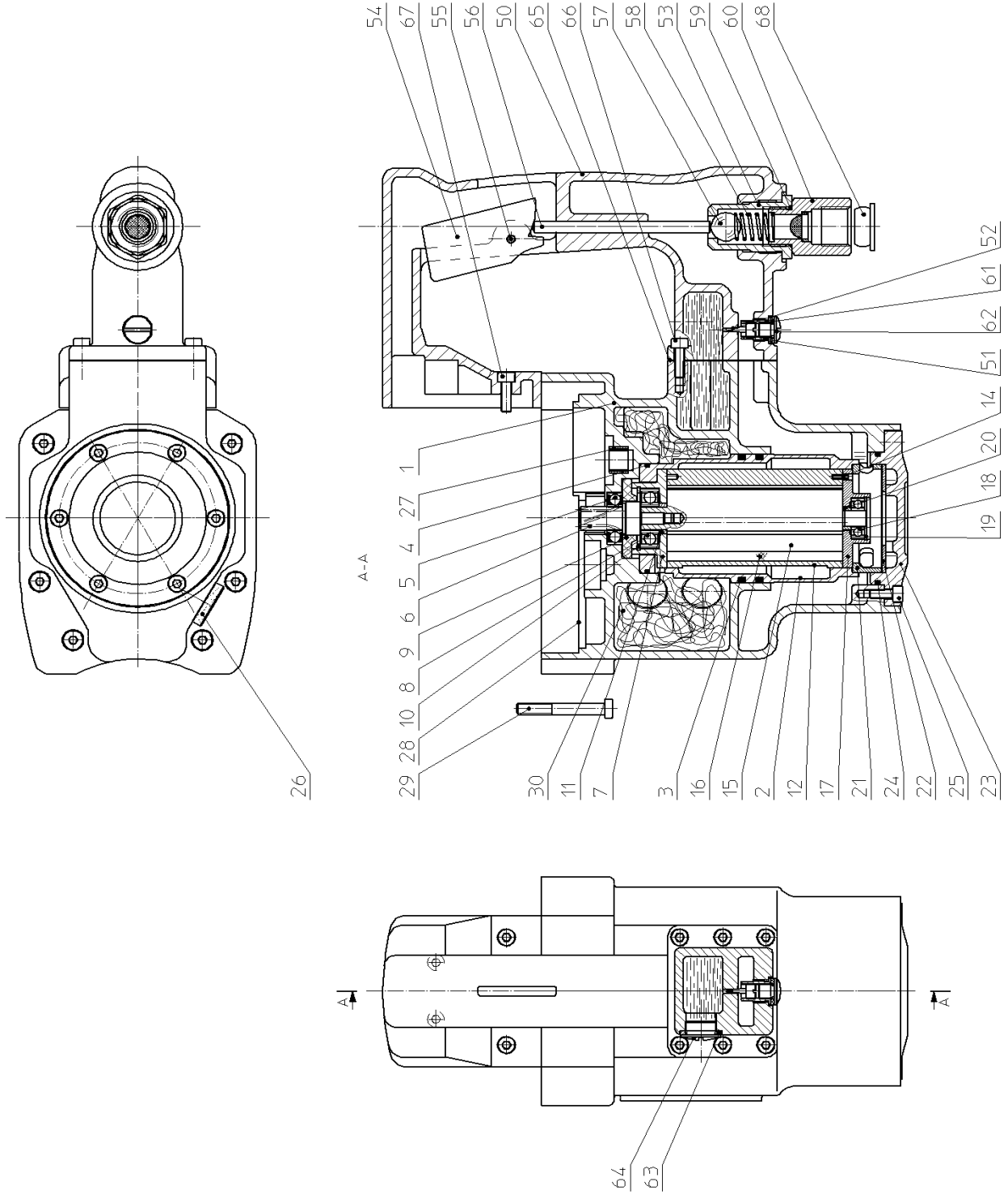
for Pneumatic Drill and Chipping Hammer

TYPE:

2 2414 1900

Page: 3 of 3

Date: 04/04



Not responsible for typographical errors.

<u>POS. NO.</u>	<u>ITEM NO.</u>	<u>DESCRIPTION</u>	
	2 2414 1000	Motor, Complete	
	2 2414 6000	Handle Assembly	Includes Pos. 50 - 68
66 + 67	9 1110 3120	Screw	4-30-35-093-05-2
1	2 2414 1910	Motor Housing	
2	2 2414 1210	Housing	
3	9 1901 4450	O-Ring	
4	9 1901 3890	O-Ring	
5	9 1003 0500	Bearing	
6	2 2414 4170	Pinion	
7	5 5010 1100	End Plate	
8	9 1004 0450	USE #107 832	
9	2 2414 1120	Gasket	
10	9 1703 0100	Snap Ring	
11	5 5010 1090	Spacer	
12	5 5010 1020	Cylinder Bushing	
14	9 1630 0440	Screw	
15	2 2414 1030	Rotor	
16	5 5010 1050	Vane	
17	5 5010 1110	End Plate	
18	9 1001 0040	Bearing	
19	9 1703 0030	Snap Ring	
20	5 5010 1080	Spacer	
21	2 2414 1150	Thrust Collar	
22	9 1801 0140	Belleville Spring	
23	2 2414 1130	Motor Housing Cover	
24	9 1901 3480	O-RING	
25	9 1110 3080	Fillister Head Screw	
26	9 3801 1210	Muffler	
27	9 1014 0470	Needle Sleeve	
28	2 2414 1160	Seal	
29	9 1112 4030	Fillister Head Screw	
50	2 2414 6970	Handle	
51	6 1303 5030	Thread Bushing	
52	9 1151 9010	Screw	3-13-05-209-00-4
53	7 1401 3050	Valve	
54	2 2404 3040	Pusher	
55	9 1641 0020	Pin, Notched	
56	9 1637 0280	Valve Pin	
57	9 1018 0060	Ball	
58	9 1803 0250	Spring, Compression	
59	9 1901 3230	O Ring	
60	9 2205 1330	Nipple, Assy.	
61	9 1903 0260	Sealing Ring	3-13-05-210-00-6
62	9 1150 9020	Filler Plug, Old # 9 1150 9070	3-13-05-208-00-0

CS Unitec, Inc.

22 Harbor Ave, Norwalk, CT 06850

Telephone: 203-853-9522 Toll Free: 800-700-5919 Fax: 203-853-9921

WebSite: www.csunitec.com E-Mail: info@csunitec.com

Not responsible for typographical errors.

POS. NO.	ITEM NO.	DESCRIPTION
63	9 1903 1240	Seal
64	9 1150 9140	Plug
65	2 2414 6160	Gasket
68	9 3401 0030	Screw Plug

Replaces 9 1150 9060

CS Unitec, Inc.

22 Harbor Ave, Norwalk, CT 06850

Telephone: 203-853-9522 Toll Free: 800-700-5919 Fax: 203-853-9921

WebSite: www.csunitec.com E-Mail: info@csunitec.com

CS UNITEC, INC.
 22 Harbor Avenue
 Norwalk, CT 06850
 Tel: 800-700-5919
 Fax: 203-853-9921

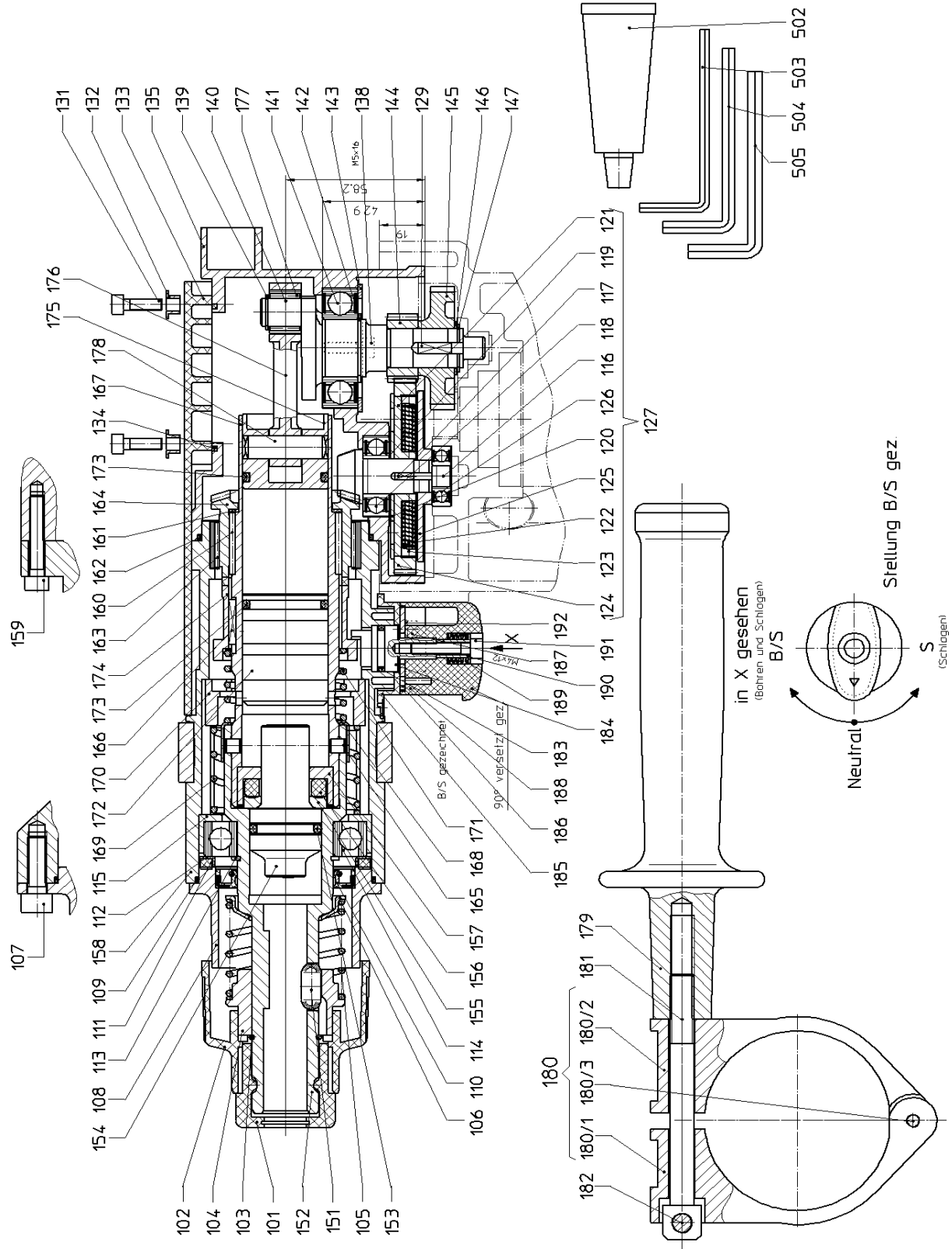
SPARE PARTS LIST

DESCRIPTION
GEARBOX
 for Pneumatic Drill and Chipping Hammer

TYPE
2 2414 4000

Page 3 of 3

Date: 03/04



Not responsible for typographical errors.

POS. NO.	ITEM NO.	DESCRIPTION	
123 + 165	9 1016 0490	Needle Pin	
131 + 138	9 1110 3120	Screw	4-30-35-093-05-2
101	2 2414 4690	Front Cap	
102	2 2414 4660	Grip	
103	9 1717 0080	Stopper Ring	
104	2 2414 4470	Needle Holder	
105	9 1803 4750	Retainer Spring	
106	2 2414 4460	Protecting Cap	
107	9 1110 5390	Fillister-Head Screw	
108	2 2414 4090	Cover	
109	9 1921 4480	O-Ring	
110	9 1905 1530	Radial Shaft Sealing	
111	2 2414 4380	Plastic Ring	
112	2 2414 4390	Ring Holder	
113	9 1704 0510	Retaining Ring	
114	9 1003 0090	Bearing	
115	2 2414 4480	Sleeve	
116	2 2414 4630	Bevel Pinion	
117	9 1501 1220	Feather Key	
118	259 147	Bearing	
119	2 2414 4880	Washer	
120	2 2414 4670	Disk	
121	2 2414 4700	Gear Holder	
122	9 1803 4780	Compression Spring	
124	2 2414 4240	Gear, Toothed	
125	2 2414 4770	Shroud Plate	
126	9 1001 0090	Bearing	
127	2 2414 4920	Slip Clutch Assembly	
129	9 1501 3570	Feather Key	
132	2 2414 4270	Distance Piece	
133	2 2414 4360	Cover Cap	
134	2 2414 4260	Rubber Seal	
135	2 2414 4010	Gearbox Casing	
139	9 1702 0050	Retaining Ring	4-26-16-006-00-7
140	2 2414 4550	Crank Shaft	
141	80410151	Bearing	
142	223 344	C-Clip	
143	2 2414 4160	Bearing Cover	
144	2 2414 4340	Spur Gear	
145	2 2414 4440	Spur Gear	
146	2 2414 4280	Thrust Washer	
147	9 1702 0100	Snap Ring	
151	2 2414 4680	Needle Roller	
152	2 2414 4650	Retainer Sleeve	

CS Unitec, Inc.

22 Harbor Ave, Norwalk, CT 06850

Telephone: 203-853-9522 Toll Free: 800-700-5919 Fax: 203-853-9921

WebSite: www.csunitec.com E-Mail: info@csunitec.com

Not responsible for typographical errors.

POS. NO.	ITEM NO.	DESCRIPTION
153	9 1921 3580	O-Ring
154	2 2414 4540	Second Hammer
155	2 2414 4570	Damper Washer
156	2 2414 4580	Damper
157	2 2414 4590	Damper Holder
158	2 2414 4510	Cylinder Case
159	9 1110 4060	SCREW
160	9 1015 1210	Needle Cage
161	2 2414 4370	Cylinder Washer
162	9 1921 4250	O-Ring
163	9 1014 0480	Needle Sleeve
164	2 2414 4640	Bevel Gear
166	9 1507 9130	Feather Key
167	2 2414 4600	Cylinder
168	2 2414 4490	Sleeve
169	9 1803 4760	Lock Spring
170	2 2414 4870	Lock Sleeve
171	9 1803 4770	Compression Spring
172	2 2414 4620	Striker
173	9 1921 3590	O-Ring
174	2 2414 4610	Clutch
175	2 2414 4520	Piston
176	2 2414 4530	Connecting Rod
177	9 1013 0290	Needle Bearing
178	2 2414 4560	Piston Pin
179	2 2414 6910	Side Handle
180	2 2414 6950	Handle Holder Assembly
181	2 2414 6920	Handle Bolt
182	2 2414 9100	Stopper Rod
183	9 1901 3270	O-Ring
184	2 2414 3260	Lever Shaft
185	2 2414 3280	Under Cover
186	2 2414 3270	Shaft Cover
187	9 1110 2070	Fillister-Head Screw
188	2 2414 3100	Lever
189	9 1803 4740	Spring
190	2 2414 3080	Sleeve
191	9 1110 3020	Fillister Head Screw
192	9 3305 0100	Washer
502	9 9902 0250	Grease
503	9 1314 0040	Offset Hex Ball Drive 5mm
504	9 1314 0030	SEE # 9 1314 0040
505	9 1314 0050	Hex Key #6-FOR 256 955 E

CS Unitec, Inc.

22 Harbor Ave, Norwalk, CT 06850

Telephone: 203-853-9522 Toll Free: 800-700-5919 Fax: 203-853-9921

WebSite: www.csunitec.com E-Mail: info@csunitec.com