

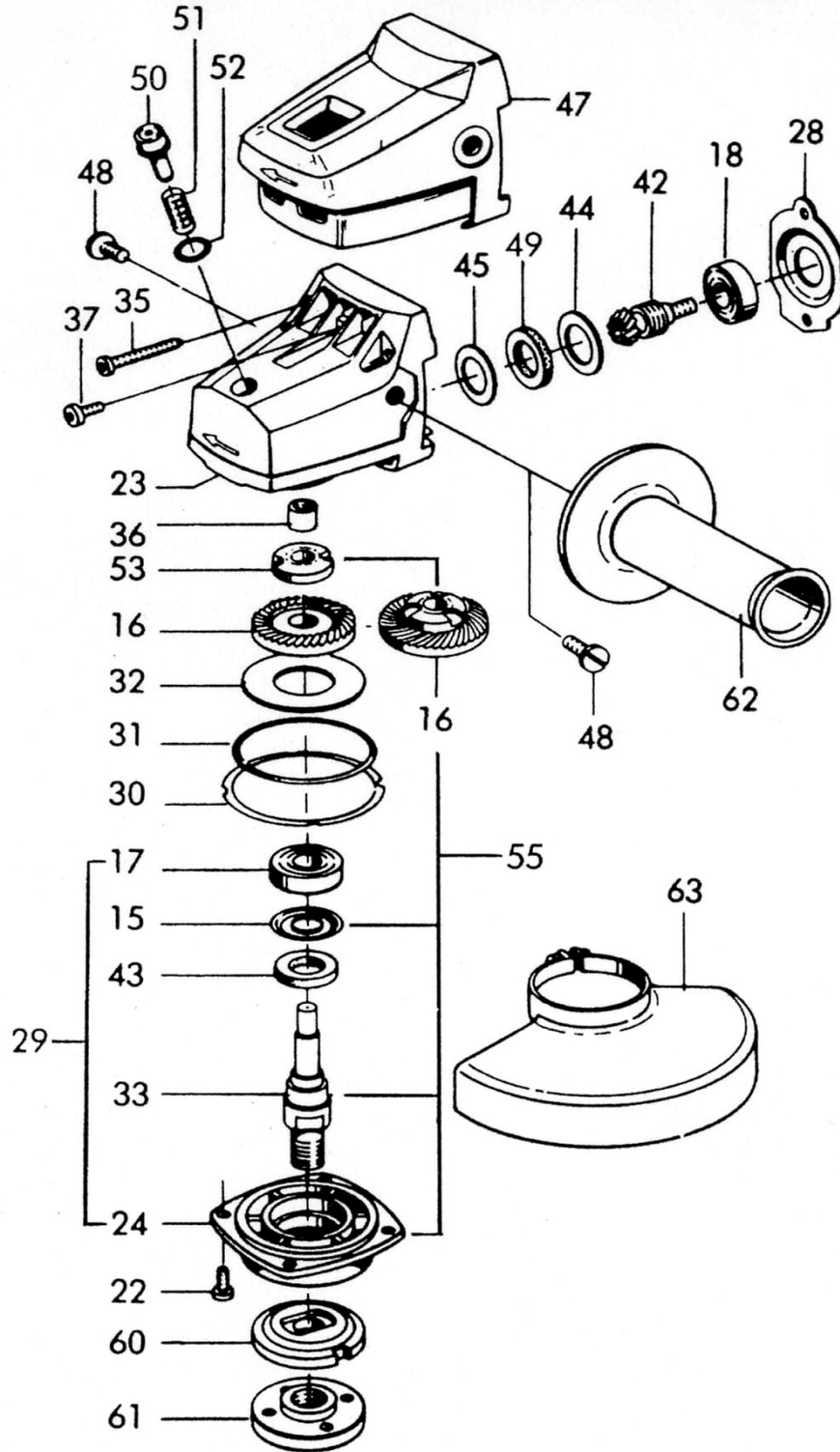
**CS UNITEC, INC.**

22 Harbor Avenue  
Norwalk, CT 06850

Website: [www.csunitec.com](http://www.csunitec.com)

Email: [info@csunitec.com](mailto:info@csunitec.com)

**Model L 1109 AIR – Angle Grinder**



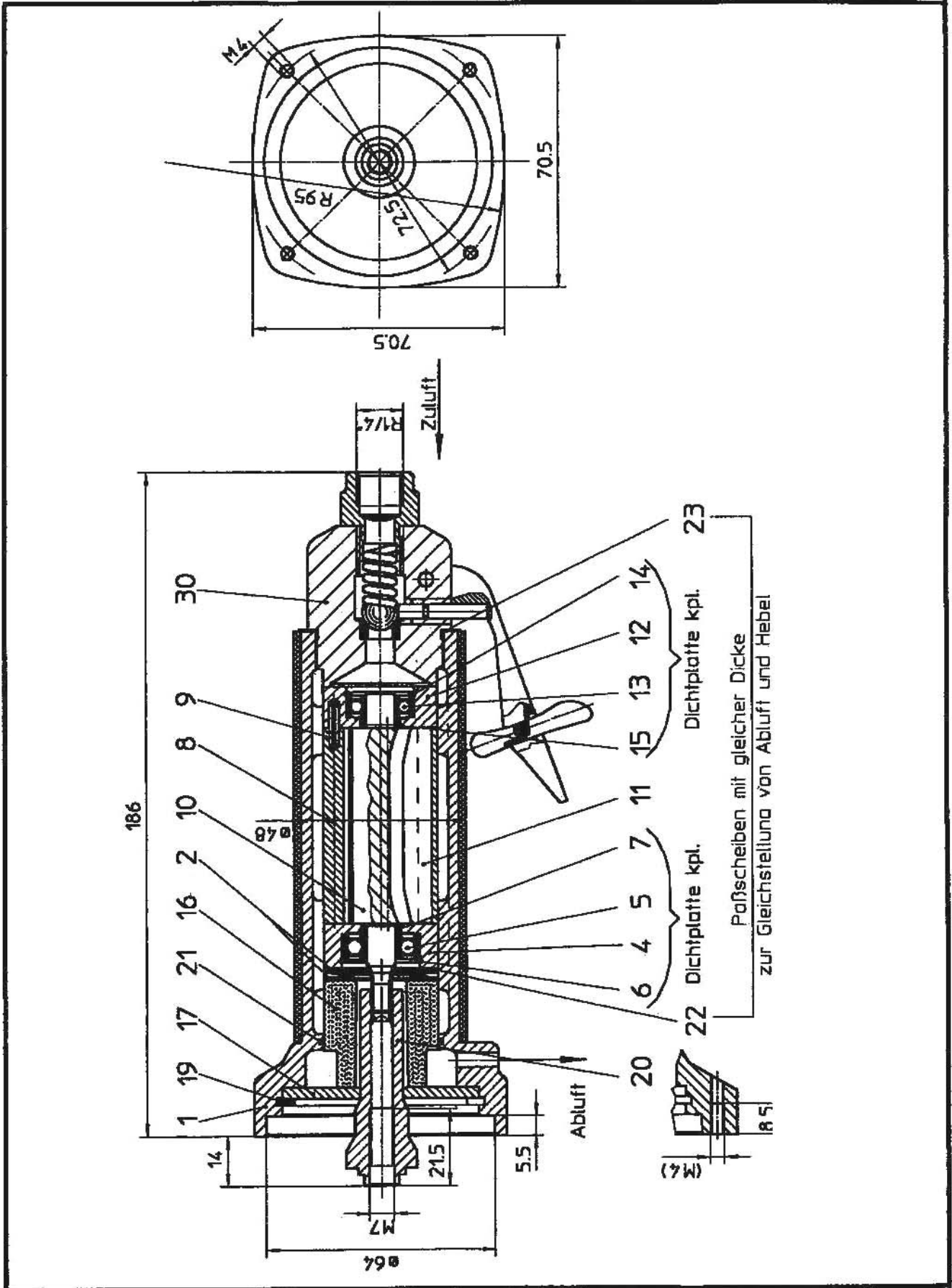
**CS UNITEC, INC.**

22 Harbor Avenue  
Norwalk, CT 06850

Website: www.csunitec.com

Email: info@csunitec.com

Model 5 6058 0050 - Air Motor for Polisher/Grinder



*Not responsible for typographical errors.*

<b>POS. NO.</b>	<b>ITEM NO.</b>	<b>DESCRIPTION</b>	
43 + 49	160 512	Seal Ring	
15	100 277	Sealing Ring	See P/N 108 111
16	250 606	Bevel Gear	
17	214 884	Ball Bearing	SEE #'S 9 1003 0020 OR 114 14
18	254 442	Bearing	SEE # 100 579
22	149 136	Screw	
23	258 142	Gearhouse w/Spindle Lock for	Model L 1509 FR
24	152 072	Gear Cover	
28	257 750	Plate	
30	257 571	Spacer	
30	257 572	SHIM	
31	159 204	Sealing Ring	
32	159 212	Spring Washer	
33	164 038	14MM Spindle	See # 167 746 for 5/8"
33	252 030	17MM Spindle	
35	195 693	Screw	
36	159 271	Needle Bearing	SEE 189 251
37	258 573	Screw	
42	201 111	Pinion	
44	160 520	Washer	
45	160 539	Washer	
48	211 796	Screws	
50	250 265	Lock Button	
51	250 589	Compression Spring	
52	250 266	Sealing Ring	
53	250 597	Locking Disc	
60	191 604	Clamping Flange	SEE # 191 612
61	100 080	Clamp Flange, M-14	
62	194 034	Side Handle	
63	171 484	Guard, 5" (125)	

CS Unitec, Inc.

22 Harbor Ave, Norwalk, CT 06850

Telephone: 203-853-9522 Toll Free: 800-700-5919 Fax: 203-853-9921

WebSite: [www.csunitec.com](http://www.csunitec.com) E-Mail: [info@csunitec.co](mailto:info@csunitec.co)

*Not responsible for typographical errors.*

<b><u>POS. NO.</u></b>	<b><u>ITEM NO.</u></b>	<b><u>DESCRIPTION</u></b>	
	5 6057 1940	End Plate Assy.	Items 4-7
	5 6057 1930	End Plate Assy.	Items 12-15
1	5 6057 1910	Motor Housing	
2	9 1801 0380	Belleville Spring	
4	5 6057 1110	End Plate	
5	9 1001 0120	Grooved Ball Bearing	
6	9 1703 0030	Snap Ring	
7	1 3801 1080	Spacer	
8	5 6057 1020	Cylinder Bushing	
9	9 1630 0090	Brace	
10	5 6057 1030	Rotor	
11	3 7666 1050	Vane (10 Required)	
12	5 6057 1100	End Plate	
13	9 1001 0460	Grooved Ball Bearing	
14	9 1703 0350	Snap Ring	
16	9 3801 1080	Silencer Pipe	
17	5 6057 1280	Compression Disc	
19	9 1703 0160	Snap Ring	
20	5 6057 7020	Drive Shaft	
21	9 1901 2060	O-Ring	
30	1 3528 3000	Lever Throttle, Assy.	