

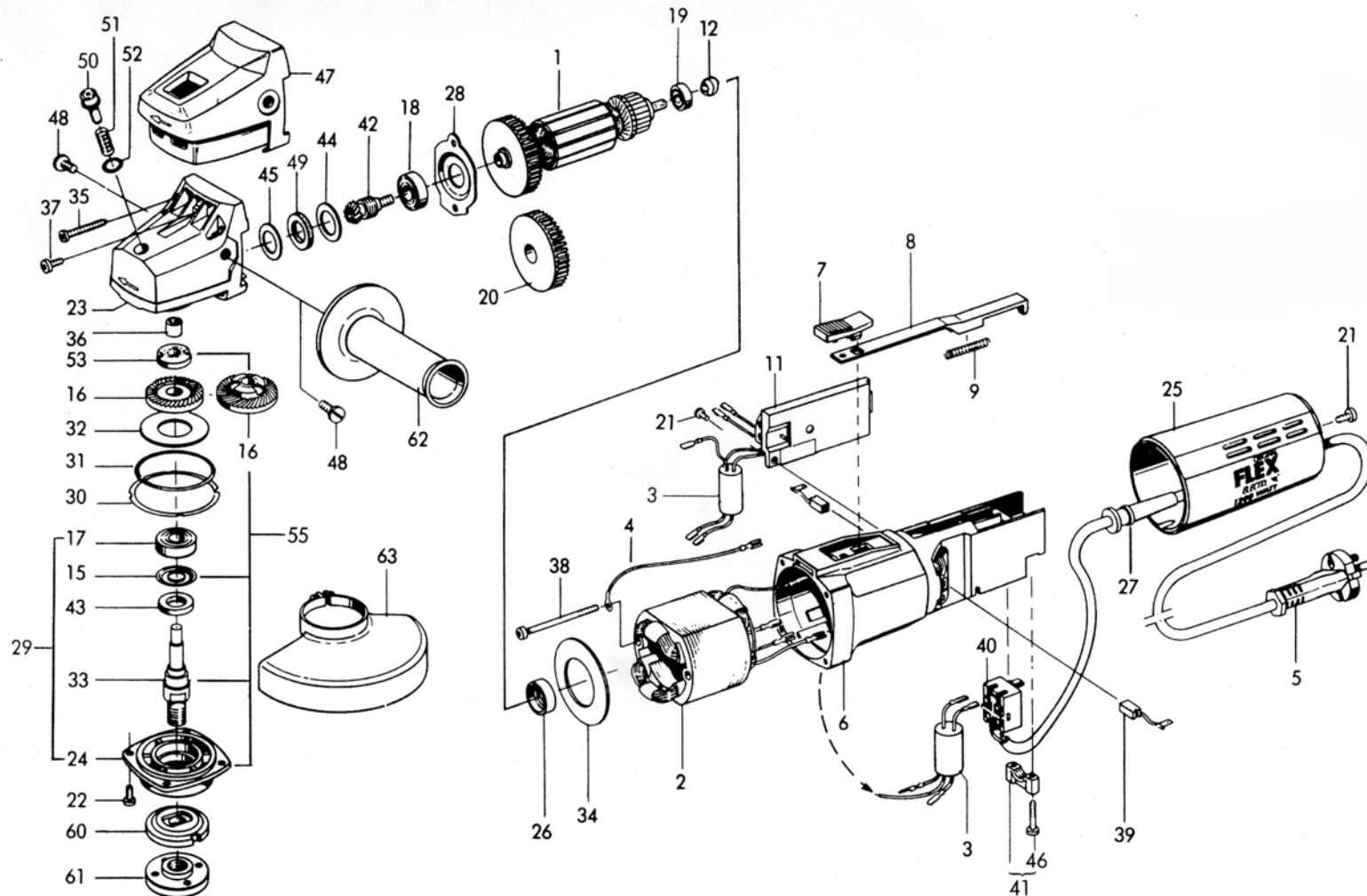
# CS UNITEC, INC.

22 Harbor Avenue  
Norwalk, CT 06850

Website: [www.csunitec.com](http://www.csunitec.com)

Email: [info@csunitec.com](mailto:info@csunitec.com)

## Model L 1509 FR – Angle Grinder



*Not responsible for typographical errors.*

<b>POS. NO.</b>	<b>ITEM NO.</b>	<b>DESCRIPTION</b>	
	100 110	Face Spanner	
43 + 49	160 512	Seal Ring	
1	241 342	Armature	
2	241 369	Magnetic Field	
3	183 261	Condenser	
4	212 652	Condenser Wire	
5	253 467	Cord	
6	254 379	Motor Case	SEE # 225 320 FOR STOCK
7	211 451	Control Lever	
8	225 304	Control Rod	
9	195 820	Compression Spring	
11	251 056	Electronic	
12	219 983	Magnetic Ring	
15	100 277	Sealing Ring	See P/N 108 111
16	250 606	Bevel Gear	
17	214 884	Ball Bearing	SEE #'S 9 1003 0020 OR 114 14
18	254 442	Bearing	SEE # 100 579
19	254 443	Bearing	SEE # 100 587
20	177 644	Fan	
21	195 715	Screw	
22	149 136	Screw	
23	258 142	Gearhouse w/Spindle Lock for	Model L 1509 FR
24	152 072	Gear Cover	
25	241 288	Cover	
26	257 354	Bearing Cover	
27	218 294	Cable Sleeve	
28	257 750	Plate	
30	257 571	Spacer	
30	257 572	SHIM	
31	159 204	Sealing Ring	
32	159 212	Spring Washer	
33	164 038	14MM Spindle	See # 167 746 for 5/8"
33	252 030	17MM Spindle	
34	159 247	Air Guide	
35	195 693	Screw	
36	159 271	Needle Bearing	SEE 189 251
37	258 573	Screw	

CS Unitec, Inc.

22 Harbor Ave, Norwalk, CT 06850

Telephone: 203-853-9522 Toll Free: 800-700-5919 Fax: 203-853-9921

WebSite: [www.csunitec.com](http://www.csunitec.com) E-Mail: [info@csunitec.com](mailto:info@csunitec.com)

*Not responsible for typographical errors.*

<u>POS. NO.</u>	<u>ITEM NO.</u>	<u>DESCRIPTION</u>	
38	225 347	Torx Head Screw	
39	218 073	Carbon Brush	Old #159 344
40	195 782	Switch	
41	215 074	Cable Clamp	replaces 208.949
42	201 111	Pinion	
44	160 520	Washer	
45	160 539	Washer	
46	213 373	Screw	
47	259 403	Motor Cap	
48	211 796	Screws	
50	250 265	Lock Button	
51	250 589	Compression Spring	
52	250 266	Sealing Ring	
53	250 597	Locking Disc	
60	191 604	Clamping Flange	SEE # 191 612
61	100 080	Clamp Flange, M-14	
62	194 034	Side Handle	
63	171 484	Guard, 5" (125)	

CS Unitec, Inc.

22 Harbor Ave, Norwalk, CT 06850

Telephone: 203-853-9522 Toll Free: 800-700-5919 Fax: 203-853-9921

WebSite: [www.csunitec.com](http://www.csunitec.com) E-Mail: [info@csunitec.co](mailto:info@csunitec.co)