

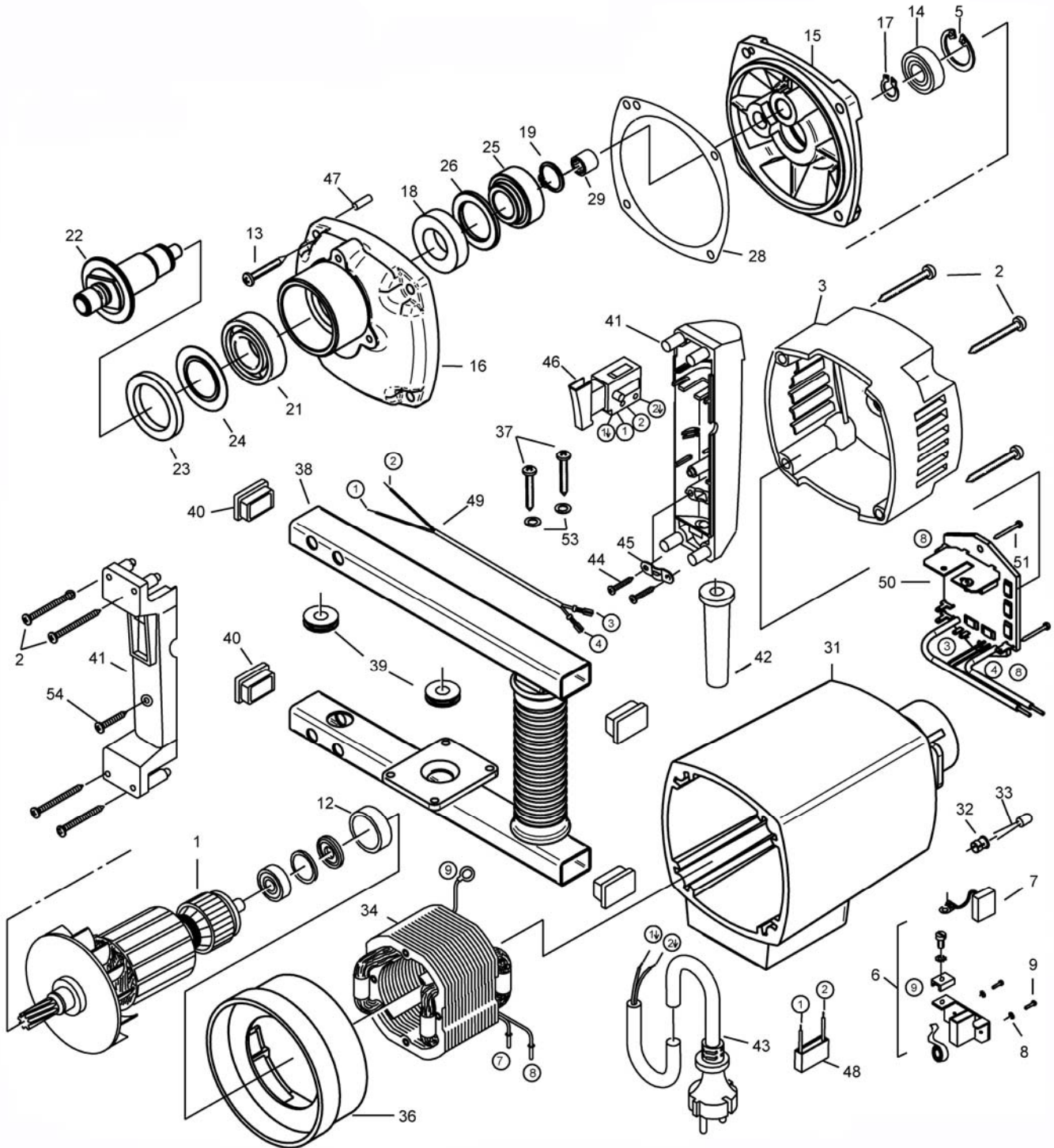
CS UNITEC, INC.

22 Harbor Avenue
Norwalk, CT 06850

Website: www.csunitec.com

Email: info@csunitec.com

Concrete Grinder Model EBS 1801



Not responsible for typographical errors.

| POS. NO. | ITEM NO. | DESCRIPTION | |
|-----------------|-----------------|-------------------------|-------------------|
| 1 | 7633B100 | Armature | |
| 2 | 80201267 | Screw | Replaces 050.0112 |
| 3 | 80900189 | Cap | |
| 5 | 80201351 | Locking Ring | |
| 6 | 80201199 | Carbon Brush Holder | |
| 7 | 80700040 | Carbon Brush | Replaces 8070019 |
| 8 | 80201385 | Spring Disk 34 | |
| 9 | 80201180 | Screw CM4x12 | |
| 12 | 73320315 | Bearing Seal | |
| 13 | 80201292 | Screw 4.2x16 | |
| 14 | 9 1003 0030 | Bearing | SEE # 101 583 |
| 15 | 76333610 | Gear Cap | |
| 16 | 76333400 | Gear Housing | |
| 17 | 80201322 | Locking Ring | |
| 18 | 80410152 | Ball Bearing | Replaces 050.0466 |
| 19 | 80201323 | Snap Ring | |
| 21 | 80410051 | Ball Bearing | see #52412-011 |
| 22 | 76333420 | Spindle | |
| 23 | 83000502 | Seal | |
| 25 | 76333430 | Slinger | |
| 26 | 76333499 | Spacer | |
| 28 | 82000051 | Seal | |
| 29 | 80420110 | Needle Sleeve | Replaces 050.0161 |
| 31 | 73339201 | Motor Housing | |
| 32 | 80601153 | Holder | |
| 33 | 80601154 | LED | |
| 34 | 7633B150 | Magnetic Field | |
| 36 | 7432K140 | Air Guide | |
| 37 | 80201277 | Screw | |
| 38 | 80200052 | Handle | |
| 39 | 83000051 | Cable Grommet | |
| 40 | 80900000 | Cover Cap | |
| 41 | 80900098 | Handle | |
| 42 | 83000004 | Cable Sleeve | |
| 43 | 80600059 | Connecting Cable | |
| 44 | 80201270 | Screw | |
| 45 | 85000020 | Clip | |
| 46 | 80600143 | Switch | |
| 47 | 80200582 | Notched Pin | Replaces 032.0211 |
| 48 | 80500010 | Condensor-SEE #80500014 | |
| 49 | 7732A186 | Wire | |
| 50 | 7633B280 | Circuit Board | |
| 51 | 80201252 | Screw, Self Tapping | |
| 53 | 80201302 | Spring Ring | |

CS Unitec, Inc.

22 Harbor Ave, Norwalk, CT 06850

Telephone: 203-853-9522 Toll Free: 800-700-5919 Fax: 203-853-9921

WebSite: www.csunitec.com E-Mail: info@csunitec.com

Not responsible for typographical errors.

| POS. NO. | ITEM NO. | DESCRIPTION |
|-----------------|-----------------|--------------------|
| 54 | 80201280 | Screw |