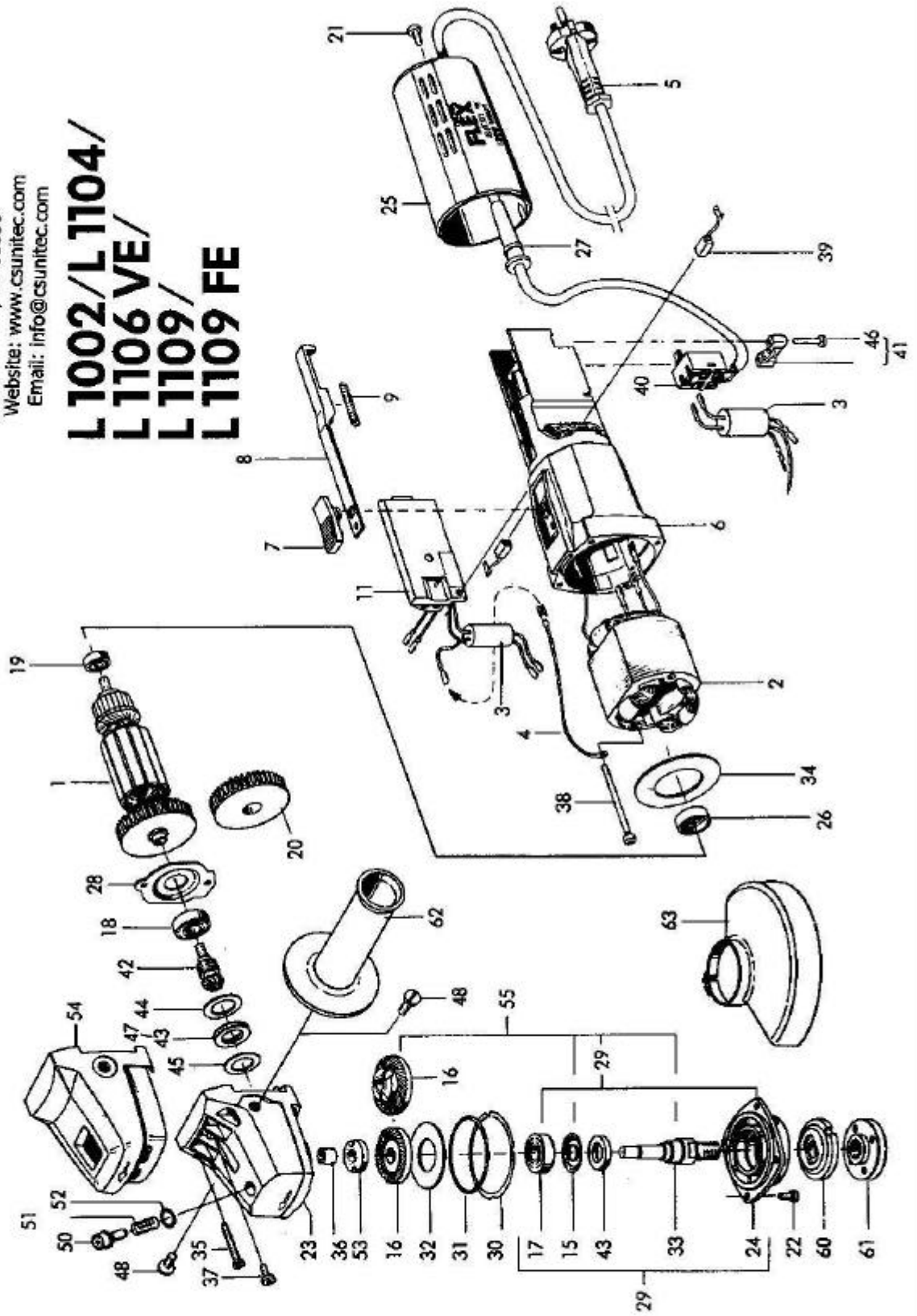


CS UNITEC, INC.
22 Harbor Avenue
Norwalk, CT 06850
Website: www.csunitec.com
Email: info@csunitec.com

**L1002/L1104/
L1106 VE/
L1109/
L1109 FE**



*Prices to change without notice.
Not responsible for typographical errors.*

<u>POS. NO.</u>	<u>ITEM NO.</u>	<u>DESCRIPTION</u>	
1	166 561	Armature	
2	166 588	Magnetic Field	
3	212 636	Condenser	REPLACES OLD # 196 177
5	203 521	Cable with Plug, 110 VOLT	
6	203 068	Motor Housing	
7	211 451	Control Lever	
8	195 812	Control Rods	
9	195 820	Compression Spring	
11	216 844	Speed Control Switch	
15	100 277	Sealing Ring	See P/N 108 111
16	250 307	Crown Wheel	
17	214 884	Ball Bearing	SEE #'S 9 1003 0020 OR 114 14
18	254 442	Bearing	SEE # 100 579
19	254 443	Bearing	SEE # 100 587
20	235 164	Fan	
21	195 715	Screw	
22	257 782	Screw	
23	276 642	Gear Case - OLD # 250 538	
24	152 072	Gear Cover	
25	213 780	Cover	
26	257 354	Bearing Cover	
27	197 041	Cable Sleeve	
28	257 750	Plate	
29	256 902	Gear Spindle Complete	
30	159 190	Distance Ring	
31	159 204	Sealing Ring	
32	159 212	Spring Washer	
33	167 746	Gear Spindle 5/8	
34	159 247	Air Guide	
35	195 693	Screw	
36	189 251	Slide Bearing	SEE # 159 271
37	258 573	Screw	
38	196 169	Screw	
39	218 073	Carbon Brush	Old #159 344
40	195 782	Switch	
41	215 074	Cable Clamp	replaces 208.949
42	250 305	Pinion	
43	160 512	Seal Ring	
44	160 520	Washer	
45	160 539	Washer	
46	213 373	Screw	
47	250 234	Grip Hood with Spindle Lock	
48	211 796	Screws	
50	250 265	Lock Button	
51	250 589	Compression Spring	

*Prices to change without notice.
Not responsible for typographical errors.*

<u>POS. NO.</u>	<u>ITEM NO.</u>	<u>DESCRIPTION</u>	
52	250 266	Sealing Ring	
53	250 597	Locking Disc	
60	191 604	Clamping Flange	SEE # 191 612
61	100 080	Clamp Flange, M-14	
62	194 034	Side Handle	
63	100 110	Face Spanner	