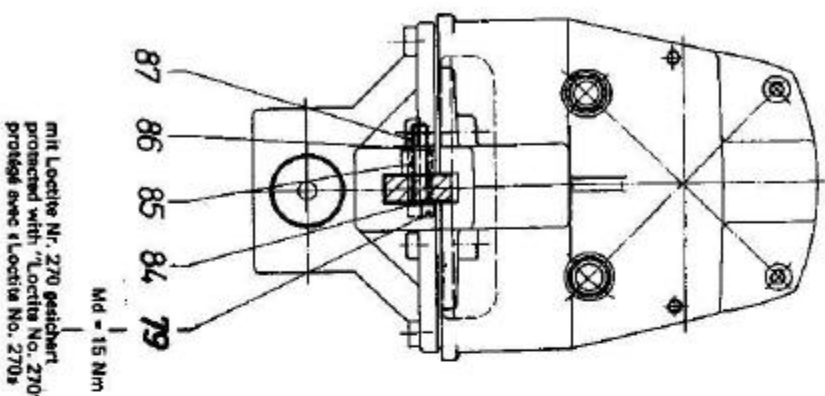
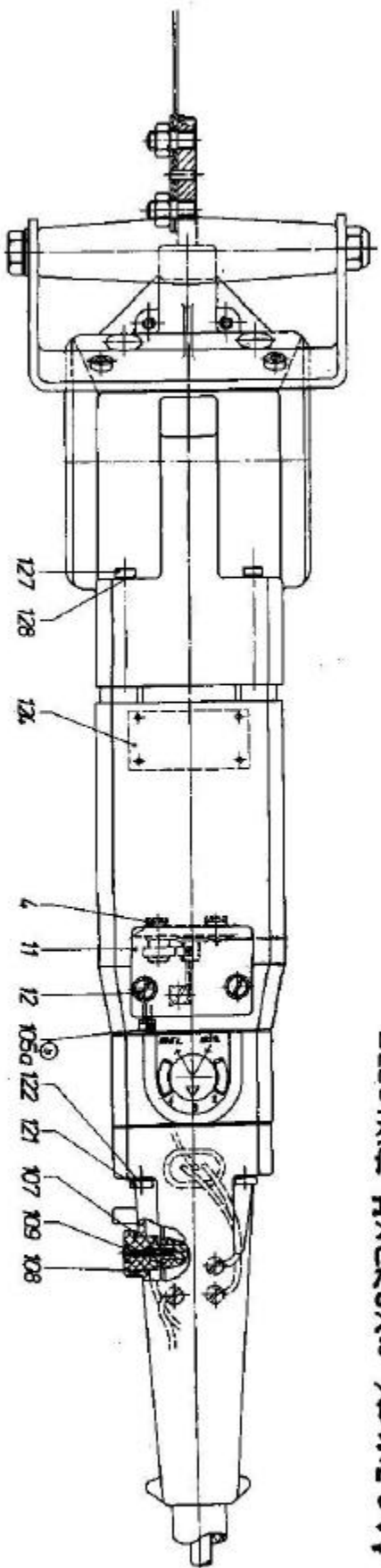
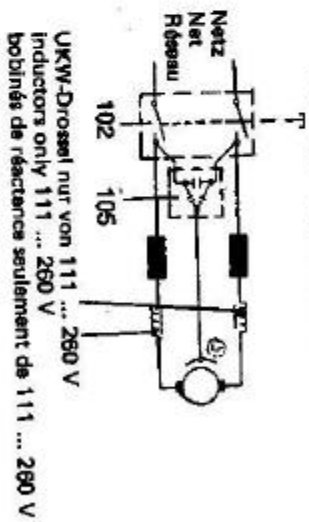


**ELECTRIC HACKSAW ASIN 617**



mit Loch Nr. 270 gesticht  
 protected with "Loch" No. 270"  
 protégé avec "Loch" No. 270s

**Schalterschema**  
**Connecting plan**  
**ASIX 649**  
**Schéma des connexions**



**CS UNITEC, INC.**  
 22 Harbor Avenue  
 Norwalk, CT 06850  
 Website: [www.csunitec.com](http://www.csunitec.com)  
 Email: [Info@csunitec.com](mailto:Info@csunitec.com)



*Not responsible for typographical errors.*

<b>POS. NO.</b>	<b>ITEM NO.</b>	<b>DESCRIPTION</b>	
	5 1202 6000	Handle	3-21-19-044-01-2
105a	4-30-02-103-047	Filister Head Screw	
2 + 3	3-07-12-067-017	Carbon Holder	
25 - 29	5-3-215-007-115	Armature Complete w/winding	
30 - 32	5 1205 4910	Gear Housing	3-12-09-013-00-2
51 - 56	5 1202 4930	Crankshaft Assembly	3-34-05-022-02-8
65 + 89	9 1110 3120	Screw	4-30-35-093-05-2
66 + 122 + 128	9 3329 0010	Locking Plate	4-24-43-004-05-7
70 - 71	5 1202 4940	Gear Casing Cover Complete	3-24-29-068-01-9
73 - 76	5 1201 7920	Lock Pin Assembly	3-34-12-015-01-9
77 + 80 + 81	5 1202 4260	Connecting Rod	3-27-14-057-00-2
77 + 87	5 1202 4950	Connecting Rod	3-27-14-057-01-1
93 + 94	3-15-06-209-007	Intermediate Bearing	
1	3-19-03-099-006	Motor Housing	
4	4-30-41-001-994	Oval Head Screw	
5	3-07-11-067-004	Brush Assembly	
6	4-30-03-029-048	Pan Head Screw	
7	5-12-15-001-117	Pole Housing w/winding	
9	4-30-01-004-042	Hexagon Head Screw	
10	3-14-28-010-005	Air Conducting Ring	
11	3-24-27-069-006	Cover	
12	4-30-46-001-002	Pan head Tapping Screw	
34	9 1002 0070	Ball Bearing, Grooved	4-17-01-607-01-2
35	3-01-10-022-002	Drive Head	
36	3-02-16-098-002	Bolt	
37	3-38-11-030-002	Gear Wheel, 17/30 Teeth	
39	9 1015 0080	Needle Cage for Air Hacksaw	4-17-15-017-00-8
40	4-17-15-013-009	Needle Cage	
41	5 1202 4020	Gear Rim	3-38-04-015-00-5
42	9 1115 1020	Screw, Cylindrical	4-30-02-108-99-7
43	9 1003 0370	Bearing	4-17-01-010-03-2
44	9 1501 1120	Key	4-02-21-008-00-3
45	9 1713 0010	Snap Ring for Air Hacksaw	4-26-41-001-00-2
46	5 1202 4920	Bevel Gear Complete	3-38-09-142-01-9
47	5 1202 4140	Washer	3-26-24-087-02-8
47	5 1202 4340	Balance Ring	3-26-24-087-03-4
49	1 1430 1020	Cylinder Bushing	3-26-24-086-02-4
49	5 1202 4350	Balance Ring	3-26-24-086-03-0
50	9 1501 2080	Feather	4-02-21-017-00-4
51	5 1202 4160	Crankshaft	3-34-05-022-00-3
52	5 1202 4170	Pin	3-02-17-200-00-4
53	9 1025 0200	BEARING	4-17-24-001-00-5
55	5 1202 4490	WASHER	3-24-08-212-00-6

CS Unitec, Inc.

22 Harbor Ave, Norwalk, CT 06850

Telephone: 203-853-9522 Toll Free: 800-700-5919 Fax: 203-853-9921

WebSite: [www.csunitec.com](http://www.csunitec.com) E-Mail: [info@csunitec.com](mailto:info@csunitec.com)

*Not responsible for typographical errors.*

<b>POS. NO.</b>	<b>ITEM NO.</b>	<b>DESCRIPTION</b>	
56	9 1702 0050	Retaining Ring	4-26-16-006-00-7
58	9 1004 0270	Bearing	4-17-01-222-03-8
59	5 1202 4210	Nut, Hexagon	4-20-19-006-08-0
62	5 1202 4220	SEE # 5 1213 4220	3-24-19-063-00-0
63	9 1703 0120	Snap Ring	4-26-16-003-00-2
64	9 1626 0180	Pin, Notched Taper	4-02-47-006-00-2
68	9 3302 0030	Washer	3-24-08-232-00-4
69	9 1626 0060	Grooved Pin	4-02-47-007-00-6
73	5 1202 4200	Locking Pin	3-34-12-015-00-0
74	5 1202 4230	Sleeve	3-05-10-025-00-4
75	9 1803 0300	Pressure Spring	3-09-01-113-00-8
76	5 1202 4250	Ring	3-26-01-193-00-8
78	5 1202 4270	Connecting Link	3-27-14-059-00-4
79	9 1110 4040	Filister Head Screw	4-30-35-080-06-8
80	9 1619 0180	Cylindrical Pin	4-02-01-036-00-6
81	5 1202 4280	Threaded Pin	4-30-07-038-08-8
82	5 1201 7060	Pressure Plate	3-27-14-011-00-0
83	9 1202 0030	Nut, Hexagon	4-20-01-009-08-0
84	9 3302 0020	Disc	4-24-01-003-06-3
86	9 1703 0050	Ring, Snap	4-26-16-001-00-5
87	9 1203 0040	Nut Hexagon	4-20-01-029-06-6
88	9 1110 3030	Screw	4-30-33-015-05-2
90	5 1206 4300	Bushing, Brass	3-16-04-008-00-1
91	9 1902 0490	Scraper	3-27-14-058-00-0
92	9 1902 0500	Felt	3-06-04-042-00-7
101	3-12-04-067-001	Handle	
102	3-07-01-061-009	Switch	
103	3-24-31-021-007	Cable Clamping Piece	
104	4-30-41-024-997	Oval Head Screw	
105	3-07-22-036-000	Capacitor	
106	4-30-64-014-997	Filister Head Screw	
107	3-06-01-052-004	Felt Ring	
108	3-28-05-047-004	Switch Lever	
109	4-30-02-117-039	Filister Head Screw	
110	3-06-05-042-008	Sealing Plate	
111	3-07-07-101-012	Cable	
112	3-14-13-094-007	Protecting Sleeve	
120	4-17-01-204-131	Grooved Ball Bearing	
121	4-30-02-106-058	Filister Head Screw	
123	4-17-01-207-033	Grooved Ball Bearing	
125	3-30-23-059-003	Bolt	
126	9 1211 0020	Nut	4-20-19-005-05-2
127	4-30-35-025-059	Filister Head Screw	

CS Unitec, Inc.

22 Harbor Ave, Norwalk, CT 06850

Telephone: 203-853-9522 Toll Free: 800-700-5919 Fax: 203-853-9921

WebSite: [www.csunitec.com](http://www.csunitec.com) E-Mail: [info@csunitec.com](mailto:info@csunitec.com)

*Not responsible for typographical errors.*

<b><u>POS. NO.</u></b>	<b><u>ITEM NO.</u></b>	<b><u>DESCRIPTION</u></b>
129	3-24-11-069-004	Cover Plate
130	3-06-01-082-001	Felt Ring
131	3-26-12-077-003	Sealing Ring
132	3-12-07-078-005	Housing
133	3-07-62-025-022	Electronic Speed Control
134	3-24-14-046-002	Insert
135	3-06-05-058-008	Sealing Plate
137	3-14-13-138-001	Insulating Tube

CS Unitec, Inc.

22 Harbor Ave, Norwalk, CT 06850

Telephone: 203-853-9522 Toll Free: 800-700-5919 Fax: 203-853-9921

WebSite: [www.csunitec.com](http://www.csunitec.com) E-Mail: [info@csunitec.com](mailto:info@csunitec.com)