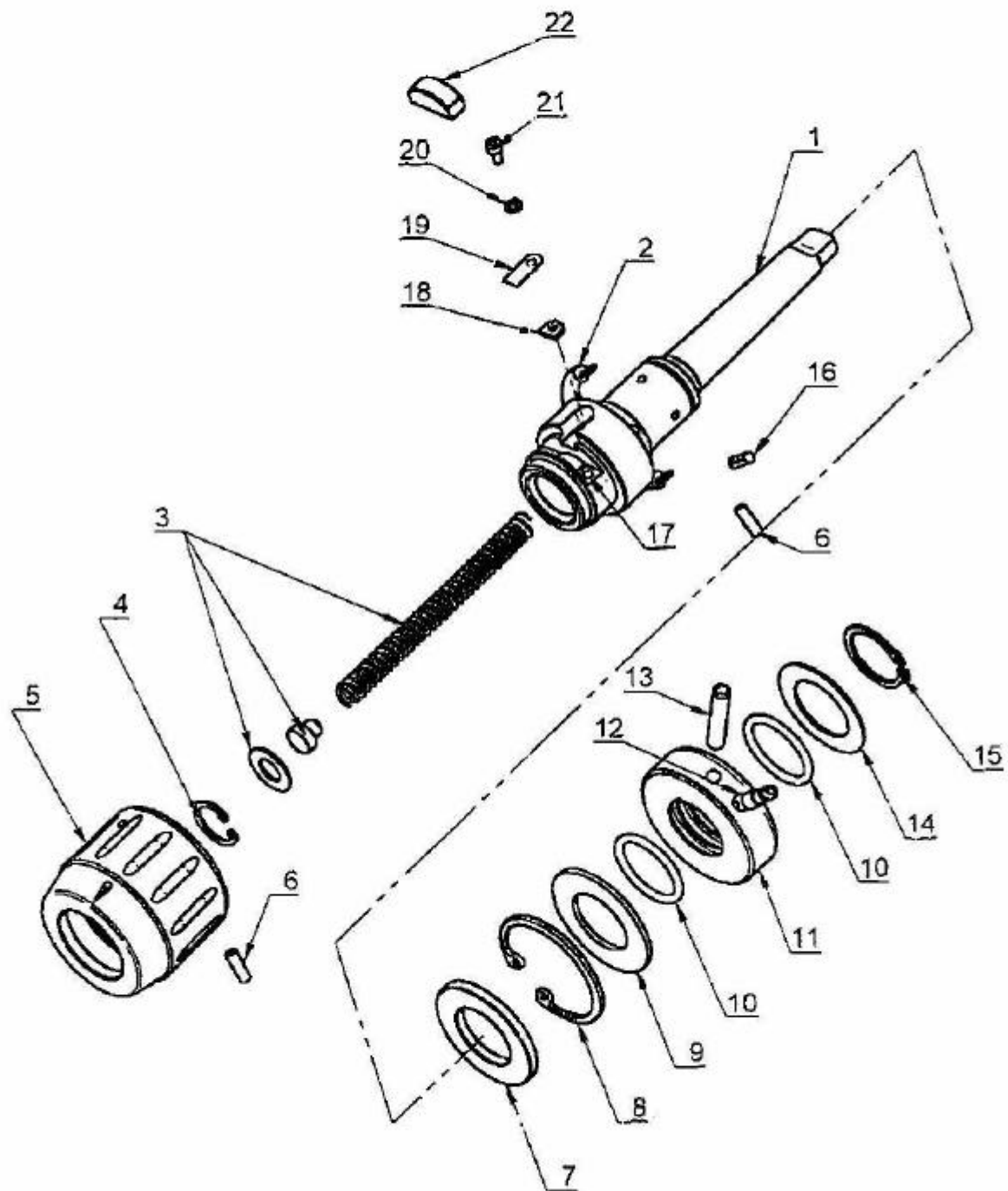


**CS UNITEC, INC.**  
22 Harbor Avenue  
Norwalk, CT 06850  
Website: [www.csunitec.com](http://www.csunitec.com)  
Email: [info@csunitec.com](mailto:info@csunitec.com)

## IMC.2Q Morse Taper #2, Quick-Lock Arbor w/automatic cooling



*Not responsible for typographical errors.*

<b>POS. NO.</b>	<b>ITEM NO.</b>	<b>DESCRIPTION</b>
1	Q.0001	Adapter MT.2 for IMC.2Q
2	Q.0006	Spring
3	Q.0011	Springset for IMC.2Q
4	Q.0016	Circlip
5	Q.0021	Turn Knob
6	Q.0026	Insert Bolt
7	Q.0031	Adapter Ring
8	Q.0036	Circlip
9	Q.0041	Adapter Ring
10	Q.0046	O-Ring
11	Q.0051	Coolant Ring
12	Q.0056	Nipple
13	Q.0061	Stopper
14	Q.0066	Adapter Ring
15	Q.0071	Circlip
16	Q.0076	Fixing Bolt
17	Q.0081	Fixing Bolt 3x8
18	Q.0086	Adapter Plate
19	Q.0091	Flat Spring
20	Q.0096	Adapter Ring
21	Q.0101	Screw M3
22	Q.0106	Fixing Block

CS Unitec, Inc.

22 Harbor Ave, Norwalk, CT 06850

Telephone: 203-853-9522 Toll Free: 800-700-5919 Fax: 203-853-9921

WebSite: [www.csunitec.com](http://www.csunitec.com) E-Mail: [info@csunitec.com](mailto:info@csunitec.com)