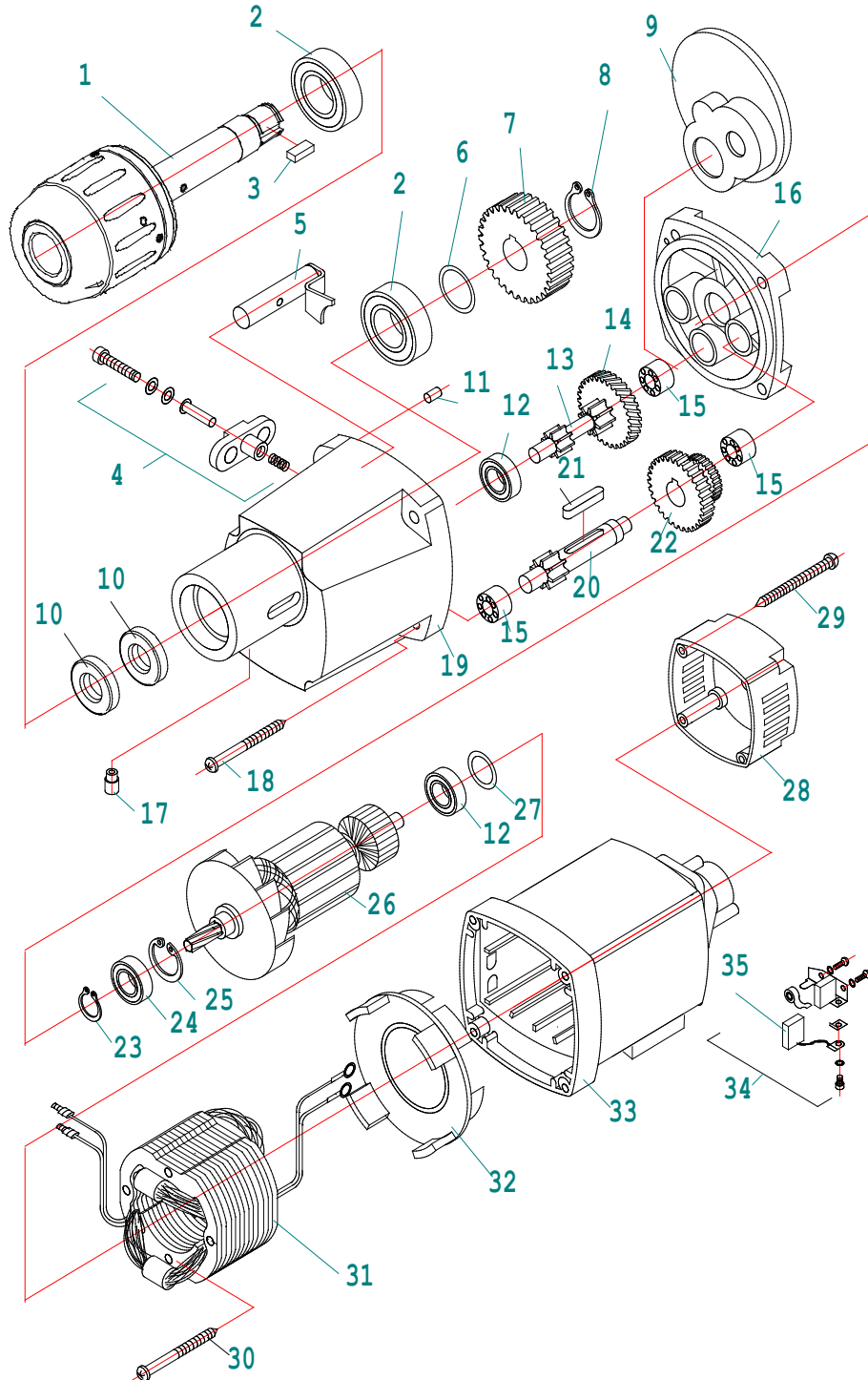


PLEASE SPECIFY TOOL MODEL # WHEN ORDERING PARTS

PARTS BREAKDOWN	Model #: AutoMAB 2000	Bulletin #: 11-2011
PARTS LISTING	Description: Portable Magnetic Drill	Prepared By: SCW
WIRING DIAGRAM	Date: 11/30/2011	

AutoMAB 2000 MOTOR BREAKDOWN



PLEASE SPECIFY TOOL MODEL # WHEN ORDERING PARTS

PARTS BREAKDOWN	Model #: AutoMAB 2000	Bulletin #: 11-2011
PARTS LISTING	Description: Portable Magnetic Drill	Prepared By: SCW
WIRING DIAGRAM	Date: 11/30/2011	

AutoMAB 2000 MOTOR PARTS LIST

Pos. #	Part #	Description
1	5012951	Arbor KEYLESS
1 A	5012961	Standard tool arbor ZIA
2	5010611	Ball bearing 6203 2RS
3	5010751	Spring A5 x 5 x 12
4	5010521	Gear change compl.
5	5010761	Clutch compl.
6	5010531	Washer 15/22 x 0,2
7	5010621	Spindle wheel 45 teeth
8	5010721	Circlip ring 15/1
9	5010771	Shaft seal for grease chamber
10	5012931	Ball bearing (shaft seal)
11	5010291	Pin 4 x 12
12	5010061	Ball bearing 608 2Z
13	5010421	Shaft with 2 pinions
14	5010541	Intermedium wheel 34 teeth
15	5010351	Needle bearing HK 0810
16	5010731	Shield plate
18	5010231	Screw 4,8 x 50
19	5012941	Gearbox housing
20	5010411	Shaft for gear wheel 13 teeth
21	5010501	Spring A5 x 5 x 28
22	5010631	Gear wheel assembly 34/40 teeth
23	5010711	Circlip ring 11/1
24	5010081	Ball bearing 6001 2Z
25	5010271	Circlip ring 28/1,2
26	5010651	Armature 220-240V
26 A	5010661	Armature 110V
27	5010591	Washer 22 x 2,5
28	5010691	Cap for motor housing
29	5010581	Screw 4,8 x 45
30	5010031	Screw 3,9 x 60
31	5010671	Field coil 220-240V
31 A	5010681	Field coil 110V

Pos. #	Part #	Description
32	5010641	Air conducting ring
33	5010701	Motor housing compl.
34	5010561	Carbon brush holder
35	5010571	Carbon brush 6,3x10x18

PLEASE SPECIFY TOOL MODEL # WHEN ORDERING PARTS

PARTS BREAKDOWN	Model #: AutoMAB 2000	Bulletin #: 11-2011
PARTS LISTING	Description: Portable Magnetic Drill	Prepared By: SCW
WIRING DIAGRAM	Date: 11/31/2011	

AutoMAB 2000 STAND PARTS LIST

Pos. #	Part #	Description
1	6011221	Housing
3	6011231	Adjustment rail right
4	6011241	Guide rail (1 set right/left) to be glued
5	6011251	Self-lubricating sleeve
6	6011261	Pin 5 x 12
7	6011271	PC board 230V for motor with advance 24V
7 A	6011281	PC board 110V for motor with advance 24V
7 B	6011270	PC board 230V for motor with advance 230V
7 C	6011280	PC board 110V for motor with advance 110V
8	7010142	Magnet switch IP65
9	6011291	Switch for advance
10	7010111	Actuator
11	7011001	Switch plate front side
12	6011301	Spring washer 4,3
13	6010521	Screw M4 x 6
14	6010621	Screw M8 x 25
15	6010571	Spring washer 8,3
16	6011311	Magnet (electric)
17	6011321	Shaft
18	6011331	Jack
19	6011341	Gear wheel assembly
21	6011351	Fixing ring
22	6011361	Screw M5 x 5
23	6011371	Washer 4,3
24	6010521	Washer M4 x 6
25	7011011	Side plate
26	7010061	Earthing compl.
27	6011381	Jack
28	6011391	Gear wheel assembly
30	6011401	Gear shaft

Pos. #	Part #	Description
31	6011411	Shaft for gear wheel with handles
32	6011421	Screws M5 for shaft for gear wheel (3 pcs.)
33	7010042	Connection cable 220-240V with plug
33 A	7010052	Connection cable 220-240V with GB-plug
33 B	7010051	Connection cable 110V (plug on demand)
34	7010031	Mains cable gland PG 11
35	6011431	Screw M4 x 30
36	6011441	Motor with advance 24V
36 A		"Motor with advance 230V- not available anymore"
36 B		"Motor with advance 110V- not available anymore"
37	6011451	Gear wheel for motor with advance
38	6011461	Screw M5 x 6
39	6013111	Pin 4 x 10
40	6013121	Cover for transmission
41	6011471	Screw M5 x 20
42	6011481	Motor cable
43	6010011	Screw M6 x 20
44	6010121	Motor support bracket
45	6011491	Screw M5 x 12
46	6011501	Washer 4,3
47	6011511	Protection plate
48	6011521	Slide limiter
49	6011531	Screw M6 x 30
50	6011541	Slide
51	6011551	Gear rack
52	6010231	Screw for gear wheel M6 x 16
53	6011561	Screw M6 x 10

PLEASE SPECIFY TOOL MODEL # WHEN ORDERING PARTS

PARTS BREAKDOWN	Model #: AutoMAB 2000	Bulletin #: 11-2011
PARTS LISTING	Description: Portable Magnetic Drill	Prepared By: SCW
WIRING DIAGRAM	Date: 11/30/2011	

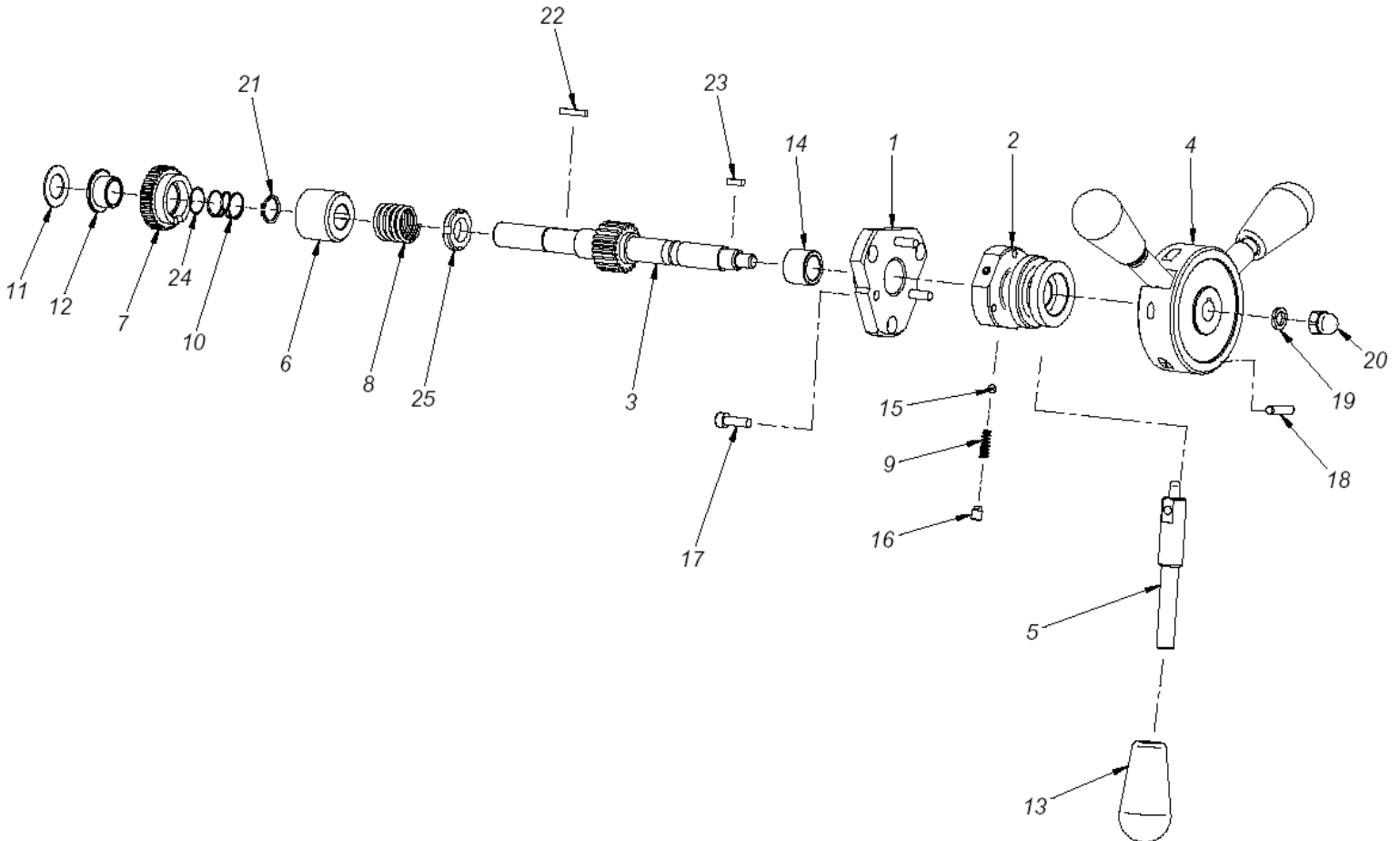
AutoMAB 2000 STAND PARTS LIST - *continued*

Pos. #	Part #	Description
54	6011571	Screw M6 x 16
55	6011581	Coolant connection
56	6010011	Screw M6 x 20
57	6011591	Quick coupling
58	6011601	Coolant tube
59	6011611	Coolant reservoir
60	6011621	Sealing plate
61	5020001	Motor MAB 2000 230V complete
61 A	5020101	Motor MAB 2000 110V complete
62	6013131	Label
63	6013141	O-ring
64	6011631	Chip protection
65	6011641	Screw M3 x 8
66	6011651	Cable for stroke limiter
67	6010421	Screw M5 x 25 for slide
68	6010031	Nut M5

PLEASE SPECIFY TOOL MODEL # WHEN ORDERING PARTS

PARTS BREAKDOWN	Model #: AutoMAB 2000	Bulletin #: 11-2011
PARTS LISTING	Description: Portable Magnetic Drill	Prepared By: SCW
WIRING DIAGRAM	Date: 11/30/2011	

AutoMAB 2000 ADVANCED SHAFT BREAKDOWN



PLEASE SPECIFY TOOL MODEL # WHEN ORDERING PARTS

PARTS BREAKDOWN	Model #: AutoMAB 2000	Bulletin #: 11-2011
PARTS LISTING	Description: Portable Magnetic Drill	Prepared By: SCW
WIRING DIAGRAM	Date: 11/30/2011	

AutoMAB 2000 ADVANCED SHAFT PARTS LIST

Pos. #	Part #	Description
1	6013541	Flage lever
2	6013551	Sleeve lever
3	6013561	Handwheel haft z=21
4	6013571	Levers holder
5	6013581	Lever
6	6013591	Claw coupling
7	6013601	Gear 36
8	6013151	Coupling spring
9	6013611	Latch spring
10	6013621	Gear's spring
11	6013631	Spacer washer 14,1x24x1
12	6013641	Self-lubrication sleeve 14x18x128x11
13	6013651	Knob BDS
14	6013661	Self-lubrication sleeve 14/20x15
15	6013671	Ball 5
16	6013681	Socket set screw M6x12
17	6010821	Hex socket bolt M5x16
18	6013691	Spring pin 5x22
19	6010571	Spring washer 8,2
20	6013701	Cap nut M8
21	6013711	External retaining Ring 14Z
22	6013721	Key 3x3x18
23	6013731	Key 3x3x10
24	6013741	Spring washer
25	6013751	Sleeve

PLEASE SPECIFY TOOL MODEL # WHEN ORDERING PARTS

PARTS BREAKDOWN	Model #: AutoMAB 2000	Bulletin #: 11-2011
PARTS LISTING	Description: Portable Magnetic Drill	Prepared By: SCW
WIRING DIAGRAM	Date: 11/30/2011	

AutoMAB 2000 WIRING DIAGRAM

