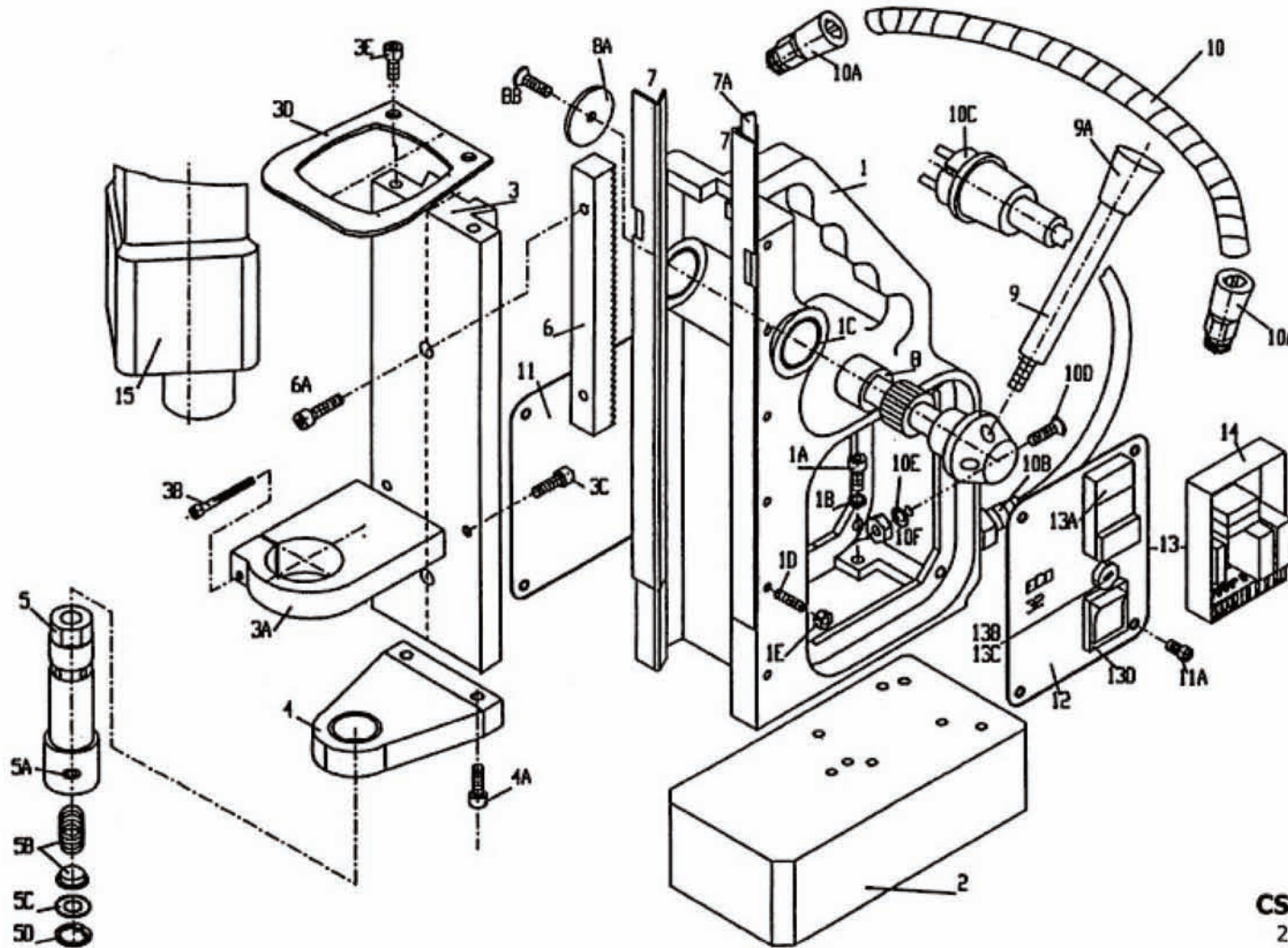


CSU 32AC Magnetic Drill Stand

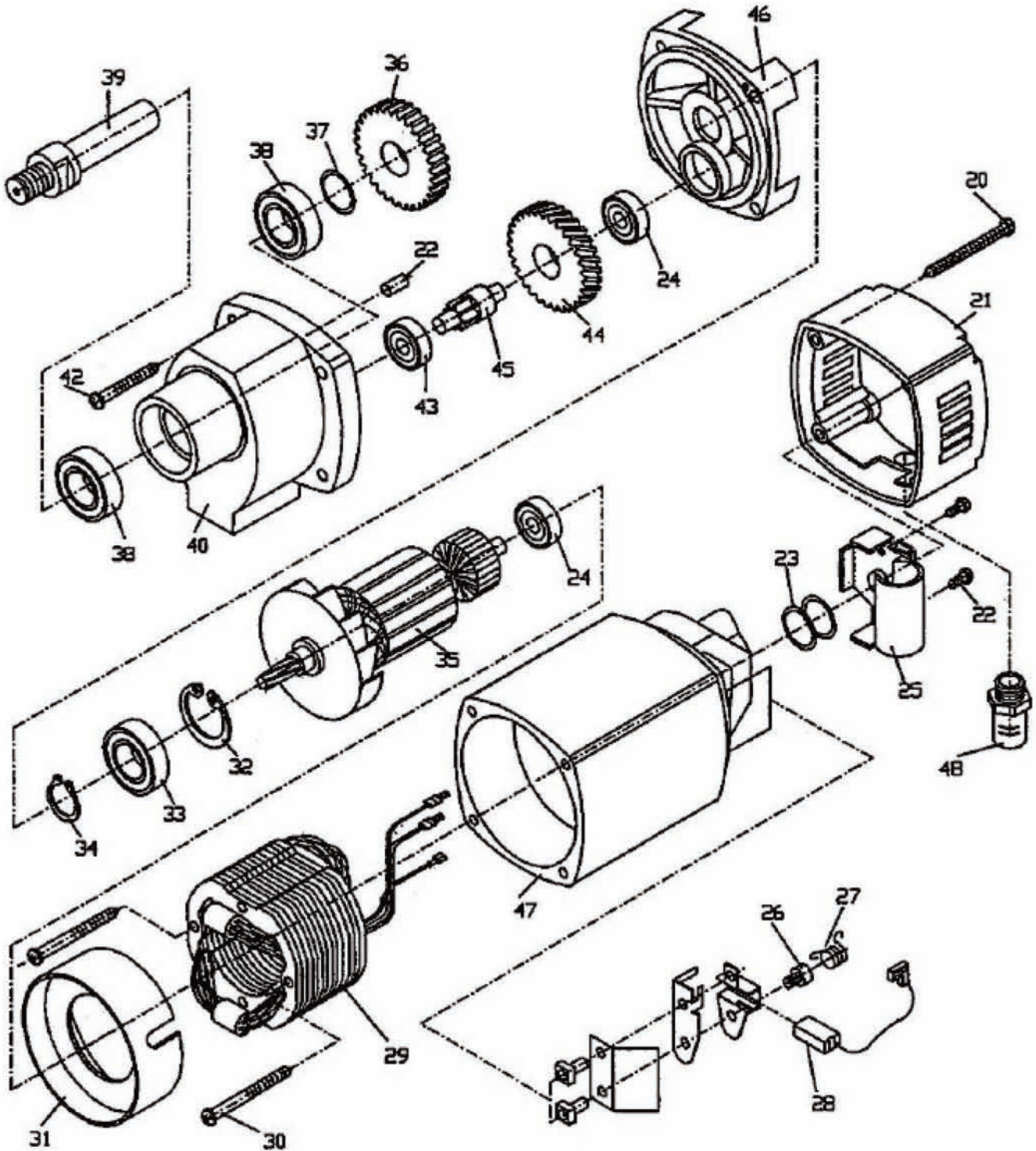
Parts interchangeable with ECO-32 and ECO-32AK
purchased from CS Unitec, Inc. prior to April 30, 2012



CS UNITEC, INC.
22 Harbor Avenue
Norwalk, CT 06850
Website: www.csunitec.com
Email: info@csunitec.com

CSU 32AC Motor Unit

Parts interchangeable with ECO-32 and ECO-32AK
purchased from CS Unitec, Inc. prior to April 30, 2012



CS Unitec, Inc.

22 Harbor Avenue, Norwalk, CT 06850

Telephone: 203-853-9522 • Toll Free: 800-700-5919 • Fax: 203-853-9921

Website: www.csunitec.com • E-Mail: info@csunitec.com

Not responsible for typographical errors.

<u>POS. NO.</u>	<u>ITEM NO.</u>	<u>DESCRIPTION</u>	
	032.0102	Motor Unit for CSU 32	REPLACES 032.0101
	032.0226	Gear	
10a	020.0041	Cable Gland	
10b	020.0031	Cable Gland	
10c	020.0036	Power Cord	
11a	020.0101	Screw	
13a	020.0006	Switch, On/Off	
13b	020.0016	Fuse Holder	
13c	020.0017	Fuse	
13d	020.0011	Magnet Switch	
1a	020.0106	Socket Screw	
1b	020.0111	Washer	
1c	020.0071	Brass Bush	
1d	020.0091	Screw	
1e	020.0096	Nut	
3a	032.0026	Motor Holder	
3b	032.0031	SEE # 020.0156	
3c	032.0036	BOLT	
3d	032.0041	Motor Fixing Plate (top)	
3e	032.0046	BOLT	
4a	020.0146	Socket Screw	
5a	020.0136	Screw See # 238-910	
5b	020.0121	Spring	
5c	020.0131	Circlip	See 9 1703 0350
6a	032.0021	Screw for Rack	
8a	020.0076	End Bush	
8b	020.0081	Screw	
1	020.0056	Frame	
2	020.0051	Magnet	
3	032.0011	Slide	
4	020.0142	Steady Auto-Coolant	
5	020.0116	Arbor Spindle	Replaces 032T.0032
6	032.0016	Rack	
7	020.0086	Brass Rail Set	
8	020.0061	Rack & Pinion	
9	020.0066	Handle	
10	020.0046	Cable Complete (motor)	
11	032.0006	Rear Plate	
12	032.0001	Front Plate	
14	020.0002	Circuit Board	
20	80201284	Screw	Replaces 032.0106
21	032.0111	End Cover-REPLACES #032T.007	
22	032.0116	Adaptor Ring Cap Screw	
23	032.0121	Adapter Ring	

CS Unitec, Inc.

22 Harbor Avenue, Norwalk, CT 06850

Telephone: 203-853-9522 • Toll Free: 800-700-5919 • Fax: 203-853-9921

Website: www.csunitec.com • E-Mail: info@csunitec.com

Not responsible for typographical errors.

<u>POS. NO.</u>	<u>ITEM NO.</u>	<u>DESCRIPTION</u>	
24	032.0126	Bearing	
25	032.0131	Condenser Holder	
26	032.0136	Screw	
27	032.0141	Spring	
28	032.0146	Brush	
29	032.0152	Field - REPLACES 032.0151	
30	80201266	Screw	Replaces 032.0156
31	032.0161	Ring, air guiding	
32	032.0166	CirClip	
33	80410031	Bearing	Replaces 032.0171
34	032.0176	Circlip	
35	032.0182	ARMATURE FOR CSU 32	
36	032.0186	Gear, Spindle	
37	032.0191	Washer fitting	
38	032.0196	Bearing	
39	032.0201	Spindle Drive Shaft	
40	032.0206	Gear Casing	
41	80200582	Notched Pin	Replaces 032.0211
42	032.0216	Screw	
44	80410011	Bearing	Replaces 032.0221
45	032.0231	Axle	
46	032.0236	Inner Gear Plate	
47	032.0241	Housing	

CS Unitec, Inc.

22 Harbor Avenue, Norwalk, CT 06850

Telephone: 203-853-9522 • Toll Free: 800-700-5919 • Fax: 203-853-9921

Website: www.csunitec.com • E-Mail: info@csunitec.com