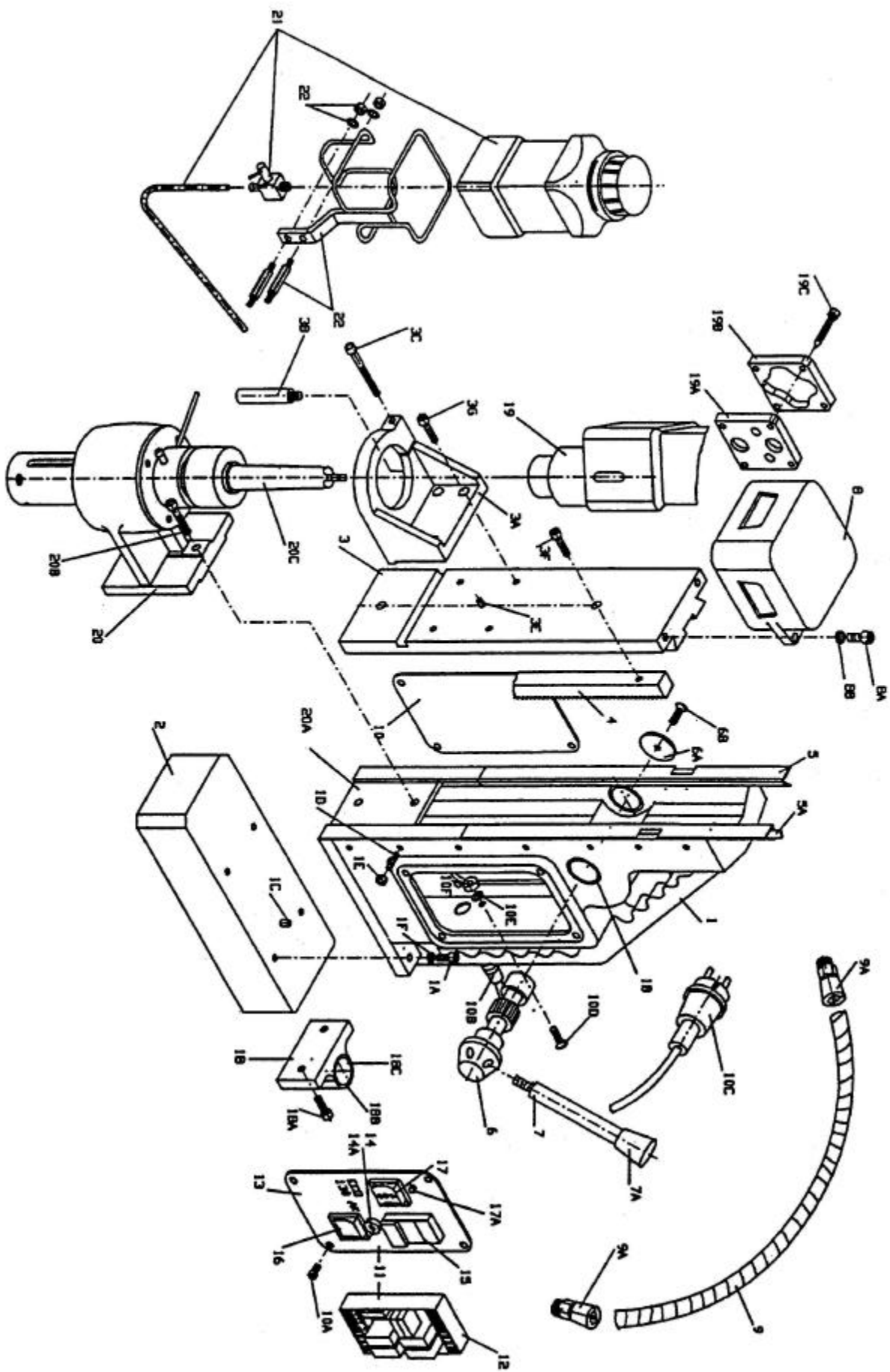


ECD 130 AK



CS UNITEC, INC.

22 Harbor Avenue
Norwalk, CT 06850
Website: www.csunitec.com
Email: info@csunitec.com

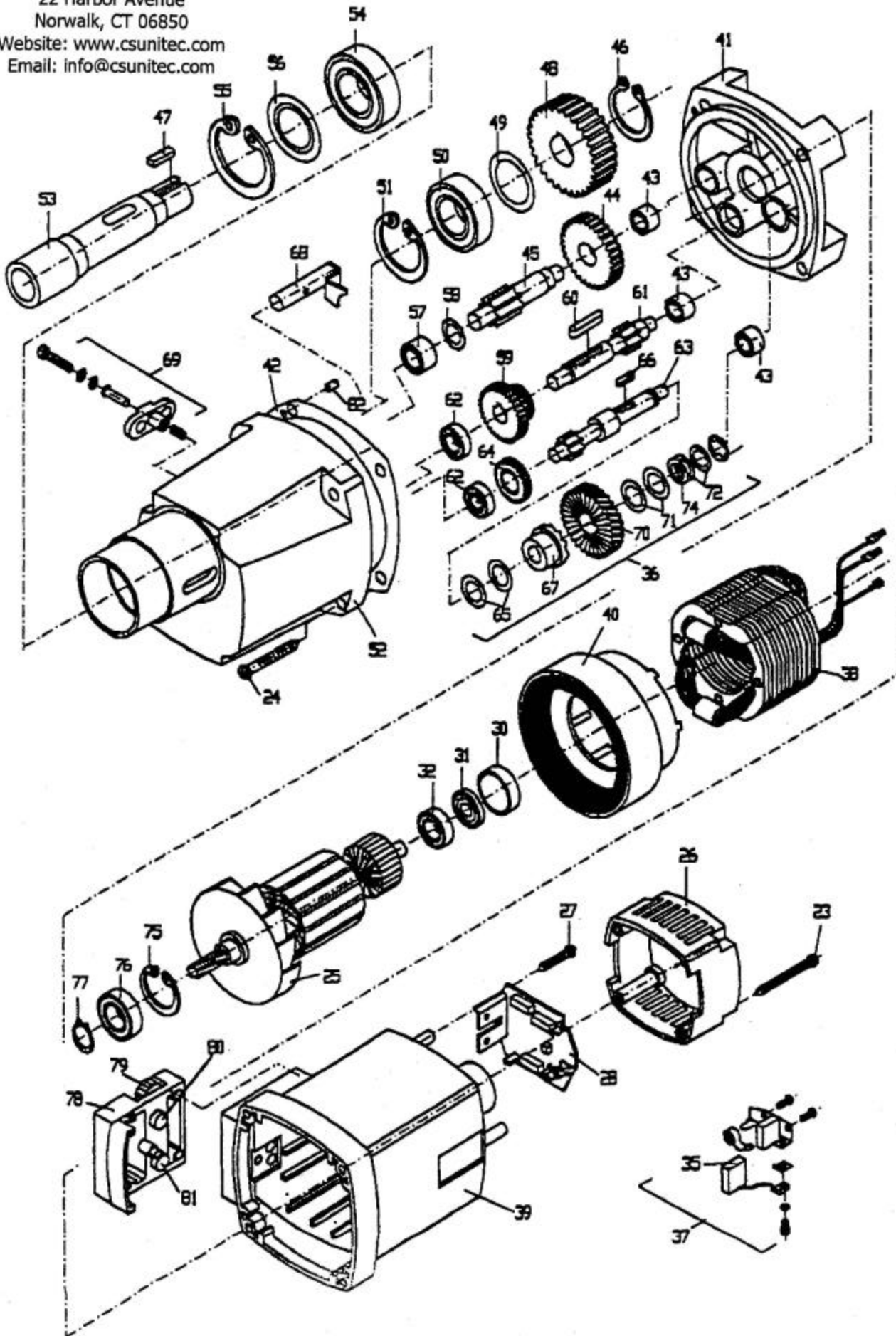
CS UNITEC, INC.

22 Harbor Avenue
Norwalk, CT 06850

Website: www.csunitec.com

Email: info@csunitec.com

130 AK



Not responsible for typographical errors.

<u>POS. NO.</u>	<u>ITEM NO.</u>	<u>DESCRIPTION</u>	
	100.0152	Switch	
	100.0368	Carbon Brush Set	
	100.0561	Safety Washer	
10a	020.0101	Screw	
14a	020.0017	Fuse	
18a	020.0156	Screw for Springball	
18b	020.0161	Bolt for Springball	
18c	020.0166	Cover	
1a	100.0006	Nut Bolt	
1b	100.0011	Brass Bush	
1c	100.0016	Fixing Pin	
1d	100.0026	Setting Screw	
1e	100.0021	Nut Bolt	
1f	100.0031	Washer	
20a + b	100.0626	Fixing Plate + Screw	
21 + 22	KSP 100	Coolant Tank Set	Replaces OIL05
22c	IMC30/32	Arbor MT#3 for 1-1/4" with	Auto. Internal Lubrication
3a	100.0046	Motor Holder - for 220 Volt	See #100.0047
3b	100.0051	Stop Pin	
3c	100.0056	Screw for Motor Holder	
3e	100.0061	Fix Pin	
3f	100.0066	Screw for Rack	
3g	100.0071	Fixing Screw	
42 + 82	100.0601	Notched pin	
46 + 77	100.0426	Circlip	
5a	100.0086	Adjusting Plate	
5b	100.0091	Top Plate	
5c	100.0096	Screw for Top Plate	
6 + 6b	100.0101	Capstan Hub Assembly	
6a	100.0106	End Bush	
7 + 7a	100.0116	Arm for Capstan	
8a	100.0126	Screw for Motor Fixing Plate	
8b	100.0131	Washer	
9a	020.0041	Cable Gland	
1	100.0001	Frame	
2	100.0036	Magnet for ECO 100/3	
3	100.0041	Slide	
4	100.0076	Rack	
5	100.0081	Brass Rails-Set of Left &Right	
8	100.0122	Mixing Fixing Plate	Replaces 100.0121
9	100.0136	Motor Cable Complete	
10	100.0141	Rear Plate	
12	100.0003	Control Unit for ECO 100/3	

CS Unitec, Inc.

22 Harbor Ave, Norwalk, CT 06850

Telephone: 203-853-9522 Toll Free: 800-700-5919 Fax: 203-853-9921

WebSite: www.csunitec.com E-Mail: info@csunitec.com

Not responsible for typographical errors.

POS. NO.	ITEM NO.	DESCRIPTION	
13	100.0146	Front Plate	
14	020.0016	Fuse Holder	
15	020.0006	Switch, On/Off	
16	020.0011	Magnet Switch	
17	100.0151	Right/Left Switch Turn for	ECO 100/3
18	020.0151	Magnet Spring Ball Complete	
19	100.0301	Motor for ECO 100/3	
20	100.0621	Plate for Gear Casing	
23	100.0306	Screw for End Cap	
24	100.0458	Gasket	
25	100.0319	Armature	
26	100.0321	Cap for motor housing	
27	100.0311	Screw for Speed Control Unit	
28	7142B280	Circuit Board, 110 Volt for	EHB 32/2 series motors
30	100.0347	Armature Speed Disc for	ECO 130 AK
31	100.0341	Insulation Ring	
32	100.0351	Bearing	
35	100.0366	Carbon Brush	6.4 x 12.5 x 20
37	100.0371	Cap - Carbon Brush	
38	100.0384	Field	
39	100.0386	Housing	
40	100.0391	Ring, air guiding	
41	100.0401	Gearing, end shield	
43	100.0411	Needle Bearing	8 x 15 x 10
44	100.0416	Gear	
45	100.0421	Intermediate Shaft	
47	100.0431	Key	
48	100.0436	Gear, Drive shaft	
49	100.0441	Washer, Fitting	
50	100.0446	Bearing	
51	100.0451	Circlip	
52	100.0456	Gear Housing Complete	
53	100.0461	Drive Shaft	
54	100.0466	Bearing	
55	100.0471	Circlip	
56	100.0476	Washer	
57	100.0481	Needle Bearing	
58	100.0486	Washer for needle bearing	
59	100.0491	Gear - 2 Speed	
60	100.0496	Key	
61	100.0501	Gear Shaft	
62	100.0506	Bearing	
63	100.0511	Intermediate Shaft 1	

CS Unitec, Inc.

22 Harbor Ave, Norwalk, CT 06850

Telephone: 203-853-9522 Toll Free: 800-700-5919 Fax: 203-853-9921

WebSite: www.csunitec.com E-Mail: info@csunitec.com

Not responsible for typographical errors.

POS. NO.	ITEM NO.	DESCRIPTION
64	100.0516	Gear
65	100.0521	Spring 28/12.2 x 1
66	100.0526	Key
67	100.0531	Clutch
68	100.0536	Clutch Shaft
69	100.0541	Gear Switch Complete
70	100.0546	Clutch Gear
71	100.0551	Shell
73	100.0406	Washer
74	100.0556	SEE # 80200503
75	100.0571	C-Clip
76	100.0576	Bearing
78	100.0586	Speed/torque switch housing
79	100.0591	Switch, Torque
81	100.0596	Speed Control

CS Unitec, Inc.

22 Harbor Ave, Norwalk, CT 06850

Telephone: 203-853-9522 Toll Free: 800-700-5919 Fax: 203-853-9921

WebSite: www.csunitec.com E-Mail: info@csunitec.com