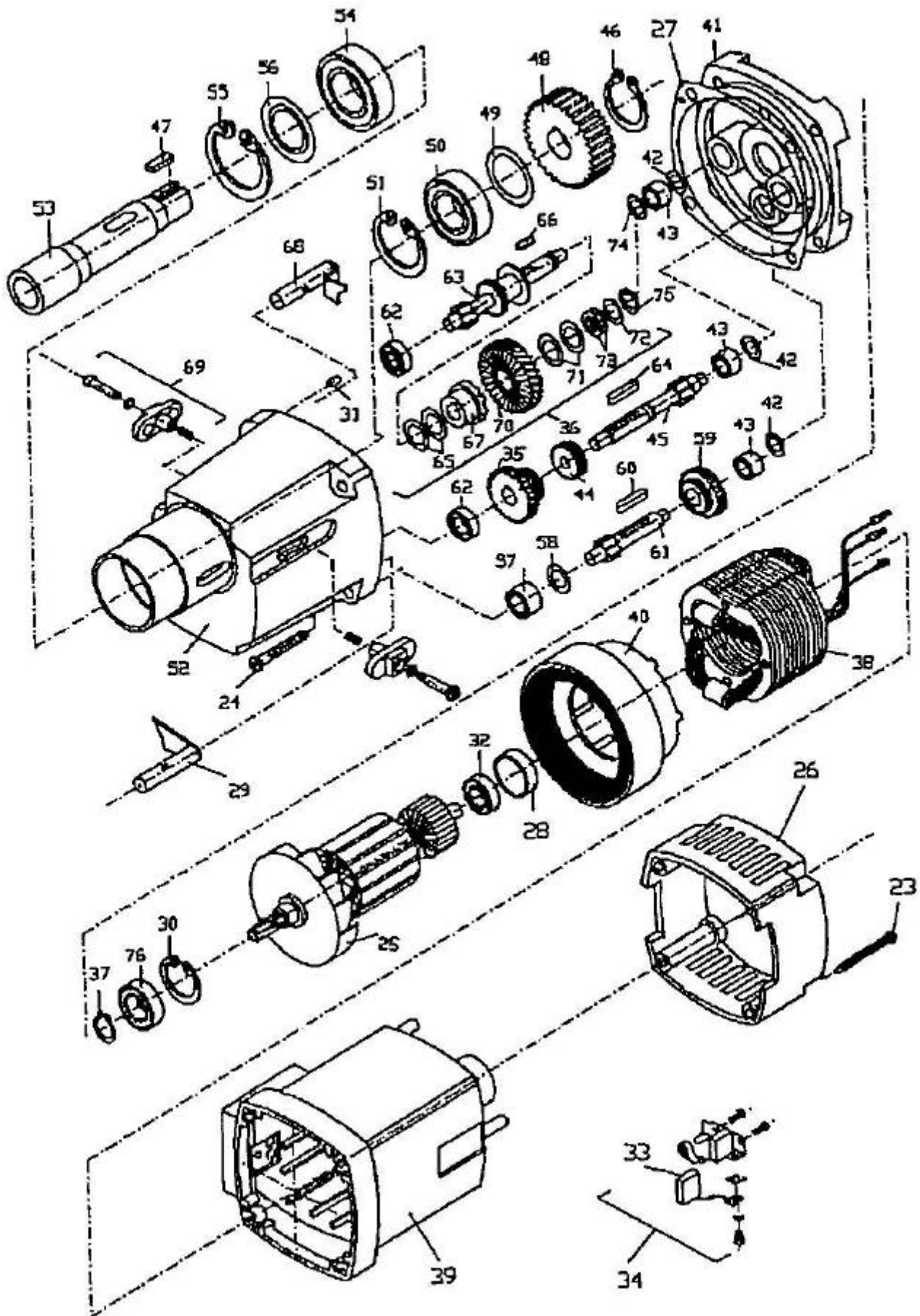


08 03 ECCO 80

ECO 80

1700W



Not responsible for typographical errors.

<u>POS. NO.</u>	<u>ITEM NO.</u>	<u>DESCRIPTION</u>	
	080.0042	Slide Old 67mm	
	100.0082	Brass Rail Set (profile)	
	100.0083	Brass Rail Set (flat)	
10a	020.0101	Screw	
10b	020.0031	Cable Gland	
10c	020.0036	Power Cord	
10d	020.0182	Screw	
14a	020.0017	Fuse	
19a	100.0616	Screw	
1a	100.0006	Nut Bolt	
1b + 8b	100.0031	Washer	
1c	100.0026	Setting Screw	
1d	020.0096	Nut	
20 + 21	KSP 100	Coolant Tank Set	Replaces OIL05
22b	100.0051	Stop Pin	
22c + 22d	020.0124	Springset	
22e	020.0185	Screw, Fixing	
24 + 31	100.0601	Notched pin	
29 + 68	080.0536	Clutch Shaft	
2a-2g	100.0037	Swivel Base Complete	
37 + 46	080.0426	Circlip	
3a	100.0046	Motor Holder - for 220 Volt	See #100.0047
3b	100.0071	Fixing Screw	
3c	100.0066	Screw for Rack	
3d	020.0106	Socket Screw	
42 + 72 + 75	080.0406	Washer	
5 + 5a	100.0081	Brass Rails-Set of Left &Right	
5b	100.0091	Top Plate	
5c	100.0096	Screw for Top Plate	
6a	020.0077	End Plate	
6b	020.0081	Screw	
7 + 7a	100.0116	Arm for Capstan	
8a	100.0126	Screw for Motor Fixing Plate	
9a	020.0041	Cable Gland	
1	100.0001	Frame	
2	100.0036	Magnet for ECO 100/3	
3	080.0041	Slide	
4	100.0076	Rack	
6	100.0101	Capstan Hub Assembly	
8	100.0122	Mixing Fixing Plate	Replaces 100.0121
9	080.0136	Motor Cable Complete	
10	100.0141	Rear Plate	
12	080.0110	Circuit Board	
13	080.0146	Front Plate	

CS Unitec, Inc.

22 Harbor Ave, Norwalk, CT 06850

Telephone: 203-853-9522 Toll Free: 800-700-5919 Fax: 203-853-9921

WebSite: www.csunitec.com E-Mail: info@csunitec.com

Not responsible for typographical errors.

POS. NO.	ITEM NO.	DESCRIPTION
14	020.0016	Fuse Holder
15	020.0006	Switch, On/Off
16	020.0011	Magnet Switch
17	020.0151	Magnet Spring Ball Complete
18	080.0002	Motor
19	100.0611	T/S Switch Cap
23	100.0306	Screw for End Cap
25	080.0317	Armature
26	100.0321	Cap for motor housing
27	100.0458	Gasket
28	100.0346	Armature Speed Disc
30	080.0571	Circlip
32	080.0351	Bearing
33	100.0368	Carbon Brush Set
34	100.0372	Carbon Brush Assembly
35	080.0491	Gear 2-speed
36	080.0546	Friction Clutch Gear Complete
38	080.0382	Field for ECO 80
39	100.0388	Housing
40	100.0391	Ring, air guiding
41	080.0401	Inner Gear Plate
43	080.0411	Needle Bearing
44	080.0416	Gear
45	080.0511	Gear Shaft 2
47	080.0431	Key
48	080.0436	Drive Shaft Gear
49	080.0441	Adaptor Ring
50	080.0446	Bearing
51	080.0451	Circlip
52	080.0456	Gear Casing
53	080.0461	Drive Shaft
54	080.0466	Bearing
55	100.0471	Circlip
56	080.0476	Adaptor Ring
57	080.0481	Needle Bearing
58	080.0486	Washer
59	080.0603	Gear 2nd 2-speed
60	080.0526	Key 3
61	080.0501	Gear Shaft 3
62	080.0506	Bearing
63	080.0421	Gear Shaft 1
64	080.0496	Key 2
65	080.0521	Shell
66	080.0601	Key 1

CS Unitec, Inc.

22 Harbor Ave, Norwalk, CT 06850

Telephone: 203-853-9522 Toll Free: 800-700-5919 Fax: 203-853-9921

WebSite: www.csunitec.com E-Mail: info@csunitec.com

Not responsible for typographical errors.

POS. NO.	ITEM NO.	DESCRIPTION	
67	080.0531	Frction Clutch	
69	71540545	Gear Switch	Replaces 040.0286
70	080.0621	Gear, First	
71	080.0551	Shell 72	
73	080.0556	Ring 12	
74	080.0606	Ring 9	
76	080.0576	Bearing	
77	080.0626	Plate for Gear Casing	

CS Unitec, Inc.

22 Harbor Ave, Norwalk, CT 06850

Telephone: 203-853-9522 Toll Free: 800-700-5919 Fax: 203-853-9921

WebSite: www.csunitec.com E-Mail: info@csunitec.cc