

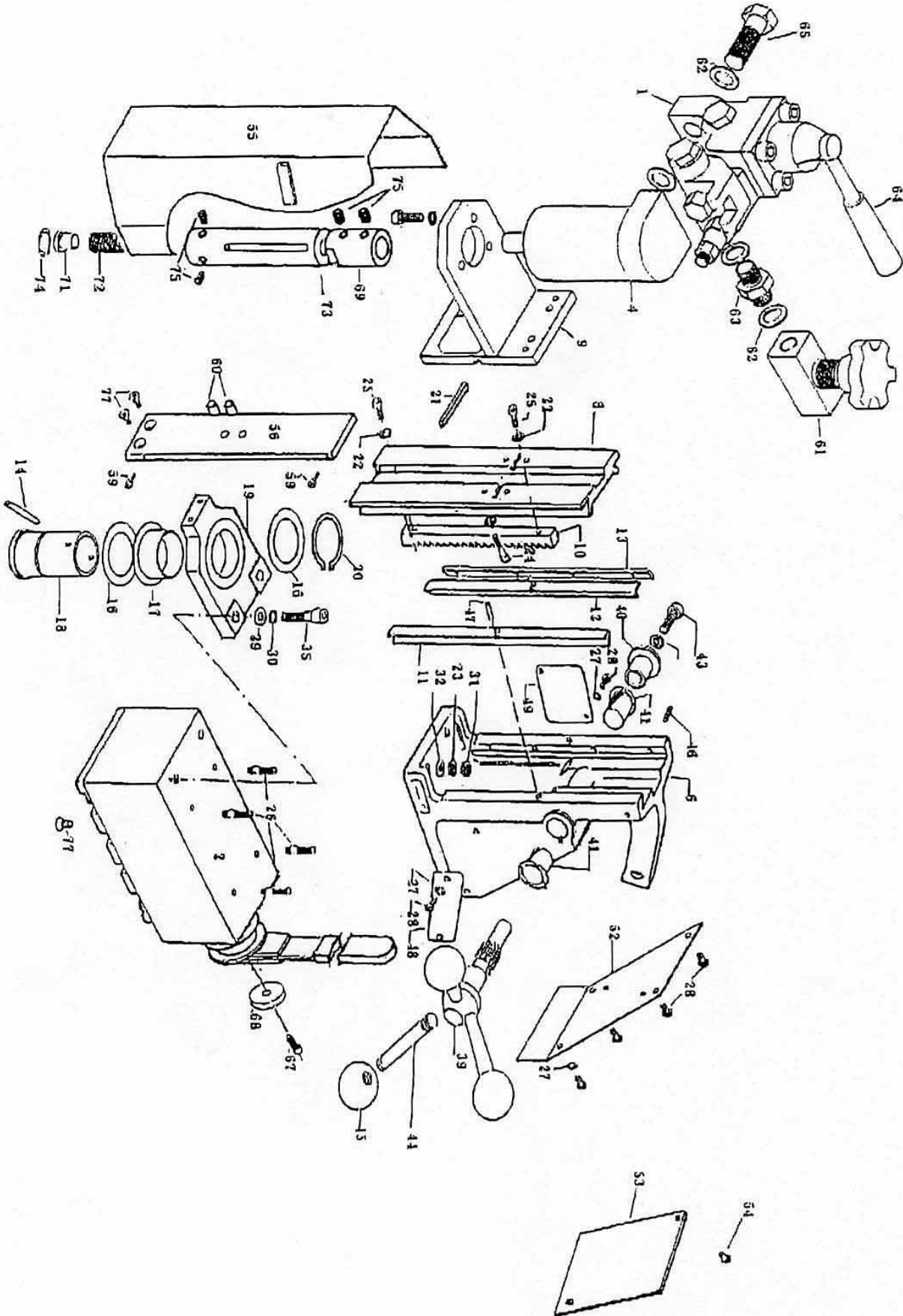
CS UNITEC, INC.

22 Harbor Avenue
Norwalk, CT 06850

Website: www.csunitec.com

Email: info@csunitec.com

Model HB 4400 – Hydraulic Magnetic Drill



Not responsible for typographical errors.

POS. NO.	ITEM NO.	DESCRIPTION	
1	RD 43043	Motor Control Module includes	Pos. 64 & 65
2	RD 43044	Magnet Includes Pole Piece Set	& Pos. 66-68 & 77.
2	RD 43047	Pole Piece Set	
4	RD 43042	Motor Includes Pos. 76	
6	RD 3380	Housing	
8	RD 3381	Slide	
9	RD 3395	Motor Bracket	
10	RD 3350	Rack	
11	RD 3317	Fixed Gib Strip	
12	RD 3316	Adjustable Gib Strip	
13	RD 3310	Gib Support Strip	
14	RA 353	Spiral Pin	
16	RA 401	Thrust Washer	
17	RD 350	Nylon Bearing	
18	RD 3396	Arbor Sleeve	
19	RD 3389	Bearing Bracket	
20	RD 4320	External Circlip	
21	RD 3009	Key	
22	RD 4092	Washer	
23	RD 4096	Washer	
24	RD 4394	Socket Head Screw	
25	RD 4325	Socket Head Screw	
26	RD 4340	Stud	
27	RD 4069	Washer	
28	RD 4077	Panhead Screw	
29	RD 4078	Washer	
30	RD 4079	Washer	
31	RD 4087	Nut	
32	RD 4095	Washer	
35	RD 4227	Socket Head Set Screw	
39	RD 3302	Capstan Pinion Shaft	
40	RD 3303	Pinion Shaft Sleeve	
41	RD 4313	Nyliner Bearing	
42	RD 4207	Washer	
43	RD 4098	Socket Head Screw	
44	RD 3383	Capstan Arm	
45	RD 4101	Plastic Knob	
46	RD 4312	Socket Screw	
47	RD 4102	Tension Pin	
52	RD 33017	Cover Plate	
55	RD 3397	Guard	
56	RD 33000	Guard Bracket	
59	RD 4103	Socket Head Screw	

CS Unitec, Inc.

22 Harbor Ave, Norwalk, CT 06850

Telephone: 203-853-9522 Toll Free: 800-700-5919 Fax: 203-853-9921

WebSite: www.csunitec.com E-Mail: info@csunitec.com

Not responsible for typographical errors.

POS. NO.	ITEM NO.	DESCRIPTION
60	RD 4346	Spring Plunger
61	RD 43050	Needle Valve
62	RD 43052	SEAL
63	RD 43051	3/8" EQUAL NIPPLE
64	RD 43055	HANDLE FOR HB 4400 MOTOR
65	RD 43056	Hex Bolt
66	RD 43049	Ratchet Handle
67	RD 4156	Socket Head Cap Screw
68	RD 33030	Washer
69	RD 33024	Arbor Adaptor
71	RA 354	Button
72	RA 355	Spring
73	RD 33021	Arbor
74	RD 4056	Circlip
75	RD 4066	Socket Screw
77	RD 4338	Countersink Socket Screw

CS Unitec, Inc.

22 Harbor Ave, Norwalk, CT 06850

Telephone: 203-853-9522 Toll Free: 800-700-5919 Fax: 203-853-9921

WebSite: www.csunitec.com E-Mail: info@csunitec.com