

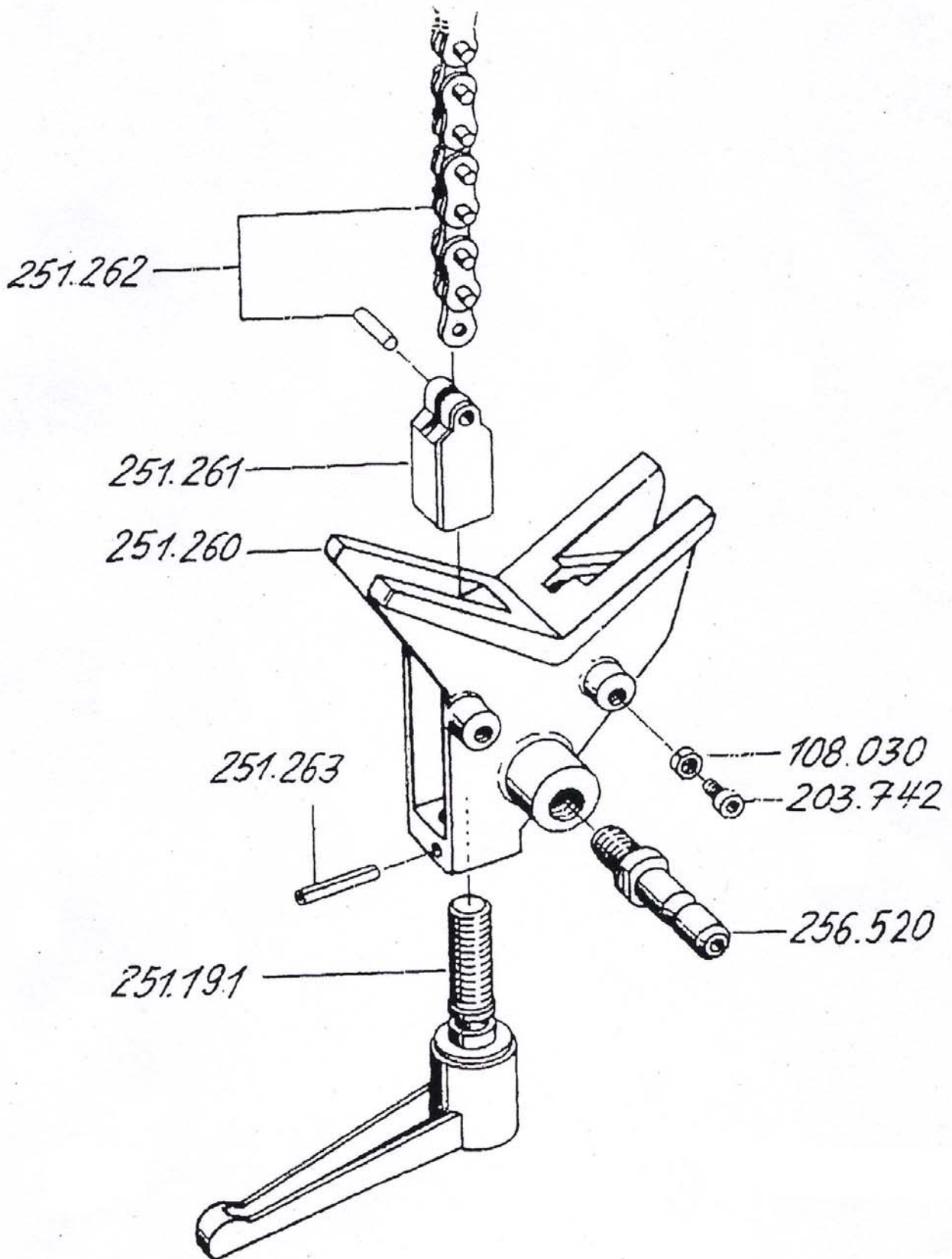
**CS UNITEC, INC.**

22 Harbor Avenue  
Norwalk, CT 06850

Website: [www.csunitec.com](http://www.csunitec.com)

Email: [info@csunitec.com](mailto:info@csunitec.com)

**251 259 – PIPE CHAIN CLAMP**



*Prices to change without notice.  
Not responsible for typographical errors.*

<b>ITEM NO.</b>	<b>DESCRIPTION</b>	
108 030	Nut	
203 742	Cylindrical Screw	
251 191	Bolt, Clamp Adjustment	
251 260	Clamp Saddle, for 6" Pipe	Clamp
251 261	Clamp Frame	
251 262	Chain-6" Pipe Clamp (29")	with pin
251 263	Clamp Bushing	
256 520	Bolt	