

CS UNITEC

AIR MOVERS

Efficient • Durable • Safe



QUIET AND COMPACT

CS Air Movers are lightweight, easy to handle and highly efficient for moving large volumes of air. Operating on compressed air, they are ideal for ventilation in hazardous areas and volatile atmospheres. No moving parts make them safe to use and easy to maintain.

Features and Benefits

- The sturdy housing is made of stainless steel and the nozzle is made of brass to withstand high mechanical loads and chemical influence. Consequently, CS Air Movers have a nearly unlimited service life and they are quieter than comparable units.
- CS Air movers have suspension lugs for easy mounting. Therefore, they can be aligned exactly with the required blower area.
- Model W 40 and W 70 have ball-type shut off valves.
- No moving parts- safe for hazardous locations.
- The annular gap is firmly set by means of spacer discs.
- Connection for static ground wire.

Performance Data

Type	Inlet Pressure		
	40 PSI	60 PSI	90 PSI
	Total Air Flow	Total Air Flow	Total Air Flow
W 20	125 CFM	155 CFM	207 CFM
W 40	777 CFM	1028 CFM	1480 CFM
W 70	2296 CFM	2719 CFM	3430 CFM
	Air Consumed	Air Consumed	Air Consumed
W 20	8 CFM	9 CFM	12 CFM
W 40	56 CFM	71 CFM	87 CFM
W 70	115 CFM	141 CFM	169 CFM

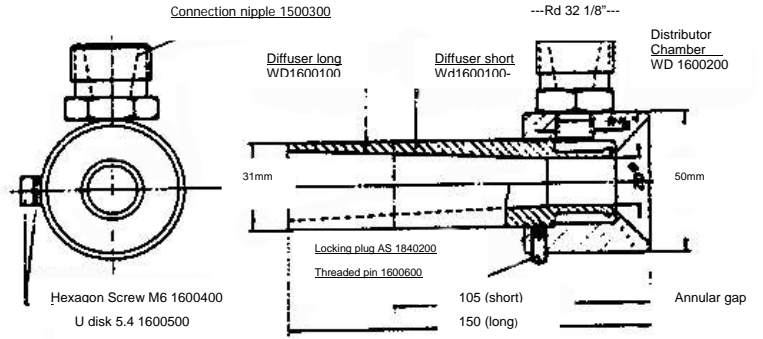
DIMENSIONS AND MEASUREMENTS

Type	Overall Length	Diameter of Base	Diameter Top of Horn	Annular Gap	Net Weight
W 20	6.00"	2.32"	1.25"	0.0048"	2.9 lbs.
W 40	12.80"	4.60"	3.68"	0.0100"	11.0 lbs.
W 70	21.00"	6.00"	5.80"	0.0120"	22.0 lbs.

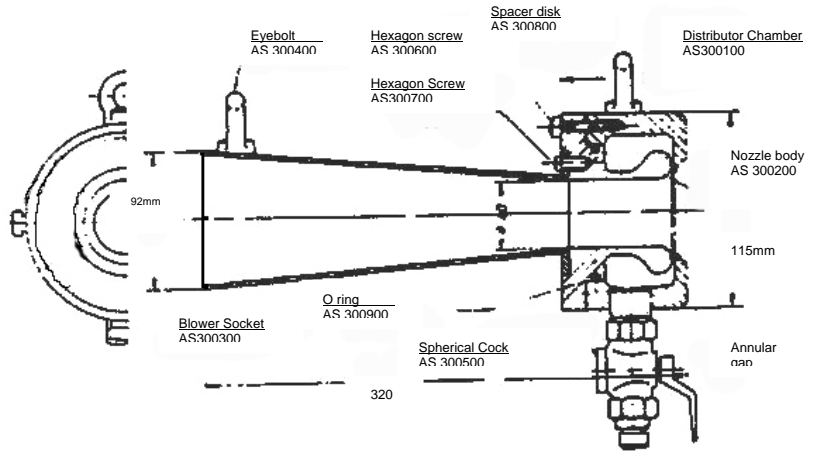
CS UNITEC, Inc.

22 Harbor Avenue, Norwalk, CT 06850
 Tel: (203) 853-9522, Toll Free: (800) 700-5919, Fax: (203) 853-9921
 Website: www.csunitec.com E-Mail: Info@csunitec.com

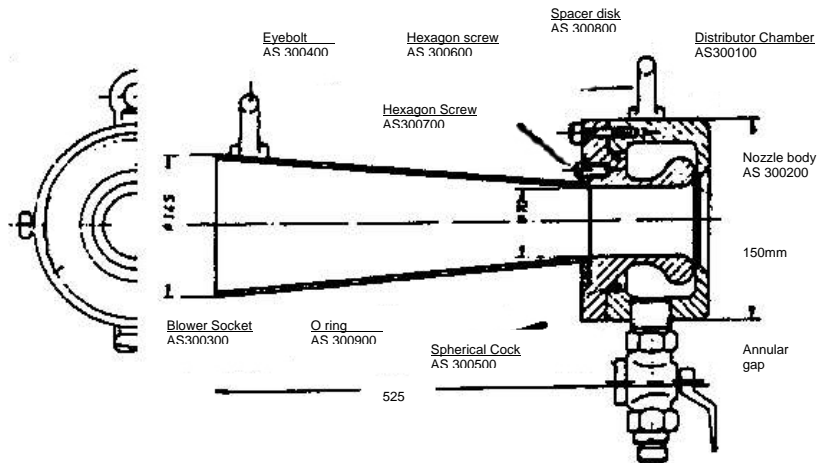
Air Mover Type W 20



Air Mover Type W 40



Air Mover Type W 70



CS UNITEC, INC.

22 Harbor Avenue, Norwalk, CT 06850

Tel: (203) 853-9522, Toll Free: (800) 700-5919, Fax: (203) 853-9921

Website: www.csunitec.com

Email: Info@csunitec.com