

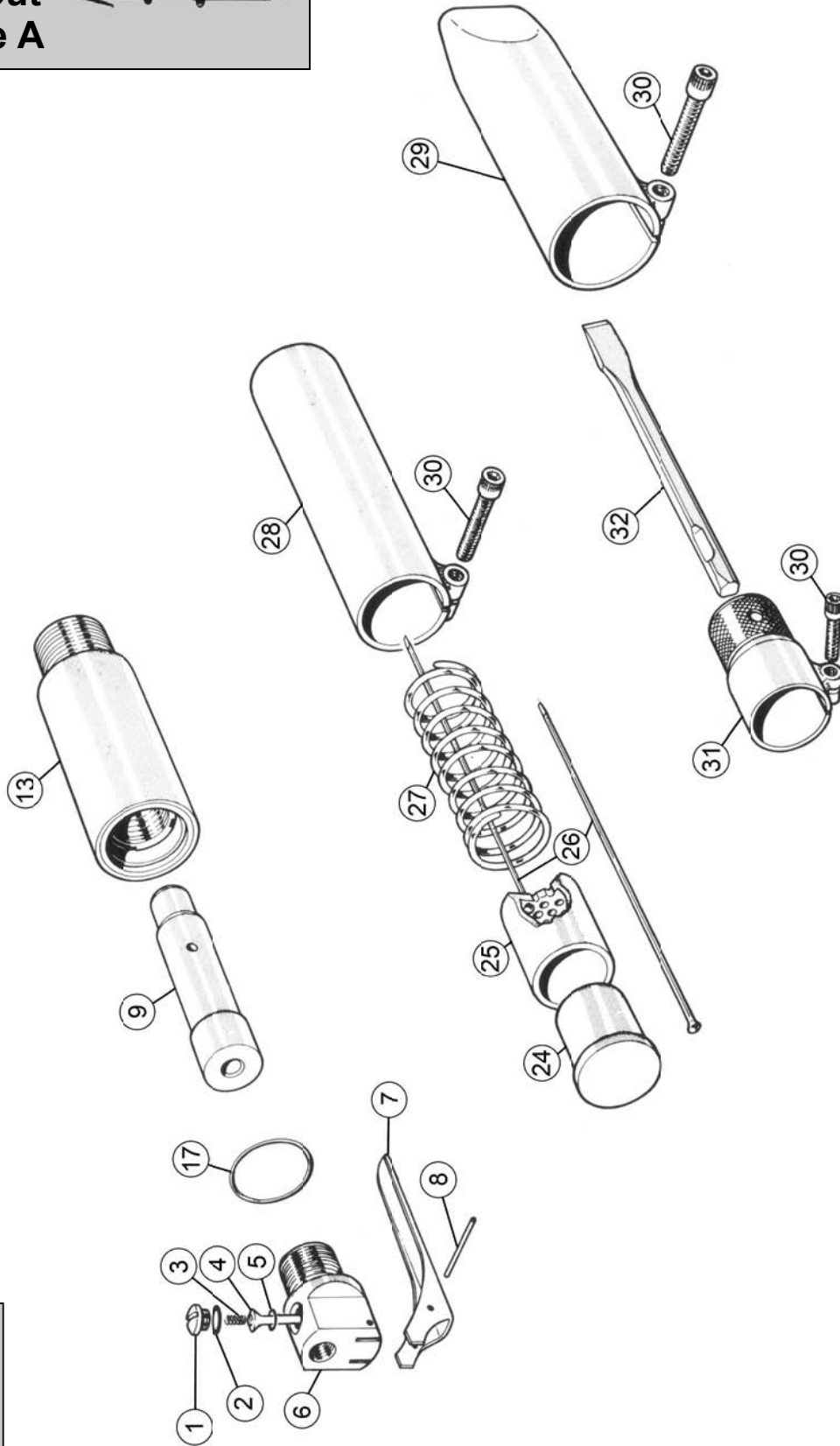
# EXPLODED VIEW

Service  
Layout  
Style A



1B & 2B INLINE NEEDLE, CHIPPER & CHISEL SCALER

Service  
Layout  
Style A



# 1B & 2B PARTS LIST

Item	Part No	Description	Item	Part No	Description
<b>Common Components</b>			<b>1B Unique Components</b>		
1	615.3021	Valve Cap	6	423.1021	Valve Body (inc 1-8) 1/4" BSP Thread
2	809.0139	O' Ring – Valve Cap		423.1521	Valve Body (inc 1-8) 1/4" NPT Thread
3	712.3022	Valve Spring	7	716.3021	Throttle Lever
4	618.3022	Valve Stem	9	612.1001	Piston
5	809.0089	O' Ring – Valve Seat	13	411.1002	Body
8	813.0108	Roll Pin	17	809.0249	O'Ring
26	442.1107	Pack of 2000 2mm Needles (Flat Tip)	24	610.1001	Anvil
	452.1110	Pack of 100 2mm Needles (Flat Tip)	25	601.1002	Needle Holder 2mm
	443.2107	Pack of 1000 3mm Needles (Chisel Tip)		601.1003	Needle Holder 3mm
	443.1107	Pack of 1000 3mm Needles (Flat Tip)	26	412.1129	6 x Needle Sets 2mm (Flat Tip)
	443.3107	Pack of 1000 3mm Needles (Pointed Tip)		413.2112	6 x Needle Sets 3mm (Chisel Tip)
	443.1307	Pack of 500 3mm Needles (Beryllium Copper)		413.1112	6 x Needle Sets 3mm (Flat Tip)
	453.2110	Pack of 100 3mm Needles (Chisel Tip)		413.3112	6 x Needle Sets 3mm (Pointed Tip)
	453.1110	Pack of 100 3mm Needles (Flat Tip)		403.1312	1 x Needle Set 3mm (Beryllium Copper - Flat Tip)
	453.3110	Pack of 100 3mm Needles (Pointed Tip)	27	712.1001	Spring - Compression
	453.1310	Pack of 100 3mm Needles (Beryllium Copper)	28	416.1032	Intermediate Tube (Includes item 30)
	444.2107	Pack of 500 4mm Needles (Chisel Tip)	29	417.1032	Straight Front Tube (Includes item 30)
	444.1107	Pack of 500 4mm Needles (Flat Tip)		418.1032	Round Front Tube (Includes item 30)
	444.3107	Pack of 500 4mm Needles (Pointed Tip)	30	806.0825	Cap Head Screw
			31	419.1241	Chisel Holder 1/2" Square
				446.1010	Service Kit (Inc. 9,17,24,25,27 & 1 Set Needles)
	454.2105	Pack of 50 4mm Needles (Chisel Tip)			
	454.1105	Pack of 50 4mm Needles (Flat Tip)	<b>2B Unique Components</b>		
	454.3105	Pack of 50 4mm Needles (Pointed Tip)	6	423.2021	Valve Body (inc 1-8) 1/4" BSP Thread
32	704.1101	Chisel 1/2" Square 7" Long x 3/4" Blade		423.2521	Valve Body (inc 1-8) 1/4" NPT Thread
	704.1103	Chisel 1/2" Square 7" Long x 2 3/4" Blade	7	716.3000	Throttle Lever
	704.1106	Chisel 1/2" Square Brick Rake	9	612.2001	Piston
	704.1110	Chisel 1/2" Square 7" Long Spark Resistant 2 " Blade	13	411.2002	Body
	704.2105	Chisel 1/2" Square 7" Long Cranked x 1 3/8" Blade	17	809.5179	O'Ring
			24	610.2001	Anvil
			25	601.2002	Needle Holder 2mm
				601.2003	Needle Holder 3mm
			26	412.1151	6 x Needle Sets 2mm (Flat Tip)
				413.2119	6 x Needle Sets 3mm (Chisel Tip)
				413.1119	6 x Needle Sets 3mm (Flat Tip)
				413.3119	6 x Needle Sets 3mm (Pointed Tip)
				403.1319	1 x Needle Set 3mm (Beryllium Copper - Flat Tip)
			27	712.2001	Spring - Compression
	<b>Extras</b>		28	416.2032	Intermediate Tube (Includes item 30)
	719.1000	3/8" Bore Hose 10 Metre	29	417.2032	Straight Front Tube (Includes item 30)
	719.3000	3/8" Bore Hose 30 Metre		418.2032	Round Front Tube (Includes item 30)
	805.0601	6mm Allen Key for Caphead Screws	30	806.0830	Cap Head Screw
	819.2375	Adapter 1/4" BSP to 3/8" Hose Stem	31	419.2241	Chisel Holder 1/2" Square
				446.1020	Service Kit (Inc. 9,17,24,25,27 & 1 Set Needles)