

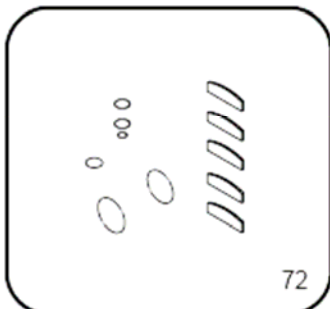
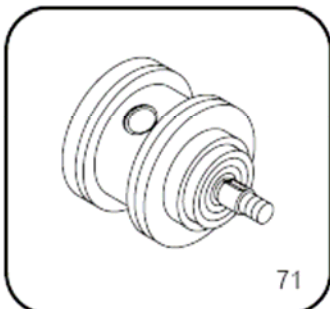
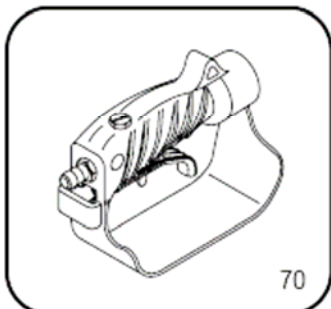
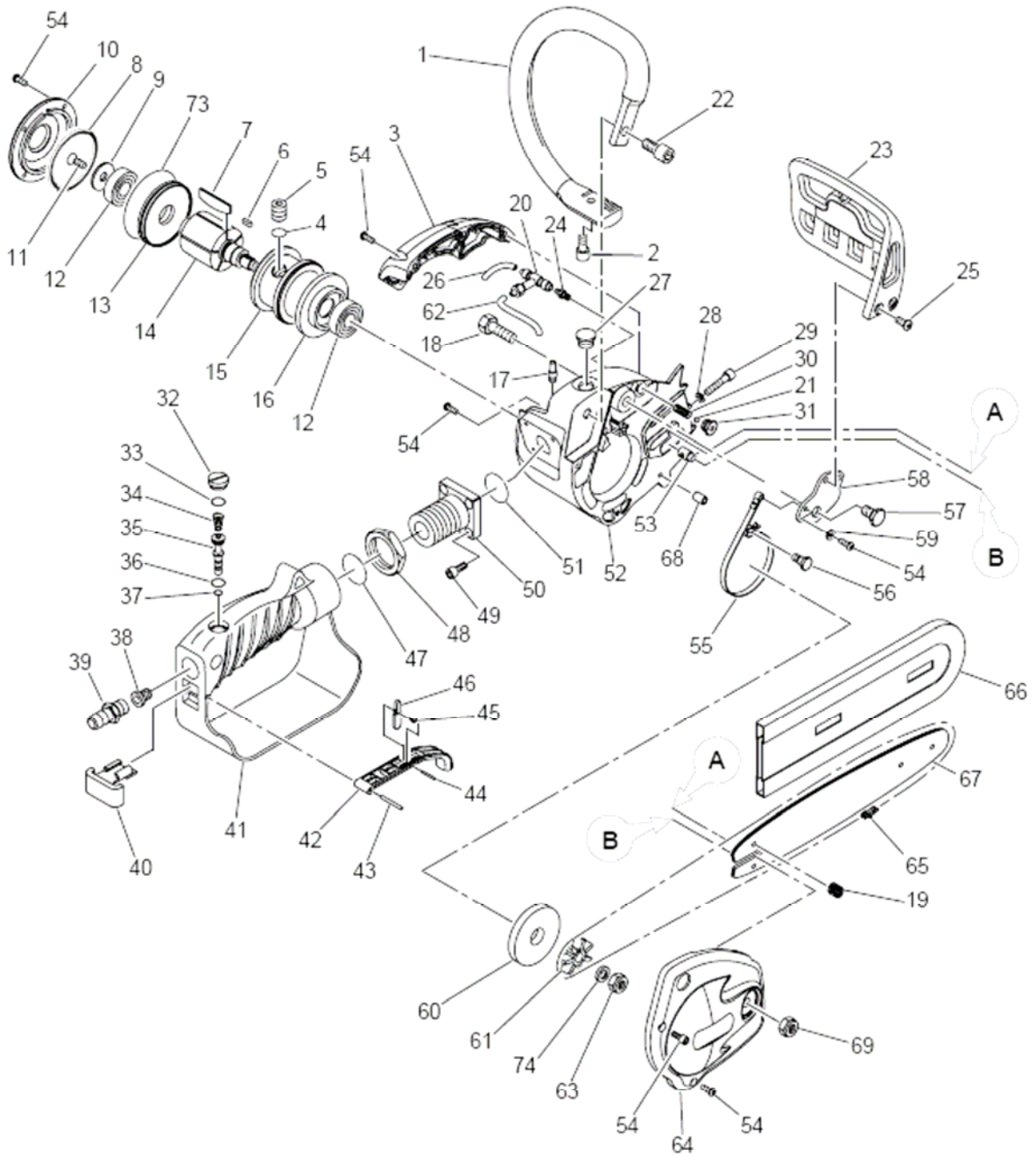
CS UNITEC, INC.

22 Harbor Avenue
Norwalk, CT 06850

Website: www.csunitec.com

Email: info@csunitec.com

Model 5 1005 0010 – 10" Utility Chain Saw



Not responsible for typographical errors.

<u>POS. NO.</u>	<u>ITEM NO.</u>	<u>DESCRIPTION</u>	
7 + 72	PACK.0407	Vane and Seal Kit	
1	0140.0140	Handle	
2	0106.0374	Screw	
3	0183.0133	Oiler Cover	
4	0123.0127	O-Ring	
5	0106.0368	Screw	
6	0130.0136	Key	
8	0123.0252	Motor Seal	
9	0101.0112	Washer	OLD # 10332
10	0183.0132	Motor Cover	
11	0106.0358	Screw	
12	106 623	Ball Bearing	SEE # 52412-010
13	0122.0139	End Plate	
14	0187.0108	Rotor	
15	0188.0104	Cylinder Bushing	
16	0122.0140	End Plate	
17	0125.0160	Oil Barb	
18	0106.0373	Bolt	
19	0102.0122	Filter	
20	6111.0004	Oil "T"	
21	0191.0116	Ball	
22	0106.0343	Screw	
23	0132.0275	Hand Guard	
24	0160.0245	Valve	
25	0106.0370	Screw	
26	0120.0121	Hose	
27	0133.0161	Oil Cap	
28	0101.0125	Washer	
29	0106.0149	Screw	SEE # 10305
30	0164.0212	Spring	
31	0133.0184	Plug	
32	6133.0005	Cap with O-Ring	
33	0123.0153	O-Ring	
34	0164.0143	Spring	
35	6129.0006	Plunger with O-Ring	
36	0123.0210	O-Ring	
37	0123.0128	O-Ring	
38	0102.0108	Screen	
39	0115.0108	Air Fitting	
40	0168.0113	Grip	
41	0140.0139	Handle	
42	6148.0007	Lever	
43	0159.0140	Pin	
44	0159.0139	Pin	

CS Unitec, Inc.

22 Harbor Ave, Norwalk, CT 06850

Telephone: 203-853-9522 Toll Free: 800-700-5919 Fax: 203-853-9921

WebSite: www.csunitec.com E-Mail: info@csunitec.com

Not responsible for typographical errors.

<u>POS. NO.</u>	<u>ITEM NO.</u>	<u>DESCRIPTION</u>	
45	0164.0141	Spring	
46	0168.0114	Safety Lever	
47	0123.0270	O-Ring	
48	0161.0103	Nut	
49	0106.0249	Screw	
50	0166.0125	Handle Mount	
51	0123.0129	O-Ring	OLD # 10334
52	0171.0283	Motor Housing	
53	0103.0163	Pin, Bar Adjustable	
54	0106.0372	Screw	
55	0164.0208	Break	
56	0125.0215	Bolt	
57	0125.0216	Bolt	
58	0135.0113	Cover	
59	0101.0106	Washer	
60	0109.0176	Motor Cover	
61	0189.0116	Sprocket	
62	0120.0122	Hose	
63	0100.0126	Nut	Old # 10303
64	6132.0003	Sprocket Cover	
65	5 1005 9910	10" Saw Chain	
66	0132.0178	Bar Cover	
67	5 1005 7111	10" Armor Tip Bar for 5 1005 0010 only. USE 5 1005 7110 OL	
68	0178.0100	Sleeve	
69	0100.0154	Nut	
70	6140.0005	Handle Complete	
71	6146.0007	Motor Complete	
73	0123.0244	O-Ring	
74	0101.0104	Washer	