

Pneumatic Sabre Saw

Type 5 1217 0020

Techn. Doc. No. 552



Illustration can differ from the original

Repair Manual and Spare Parts List

Updated 10/11/2016

Spare Parts List

Description: <p style="text-align: center;">Pneumatic Sabre Saw</p>	Part and drawing number: <p style="text-align: center;">5 1217 0020</p>
---	---

Item	Qty.	Description	Part and drawing number	Remarks
	1	Motor, assy.	5 1217 1000	see extra list
	1	Handle, assy.	5 1216 6000	see extra list
	1	Gearbox head	5 1216 4000	see extra list
	1	Performance Kit	5 1217 9990	

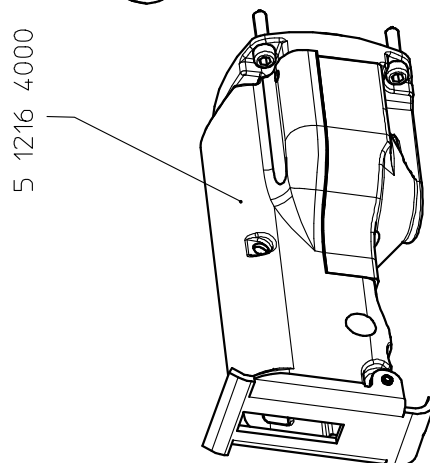
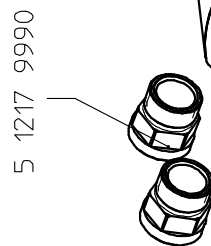
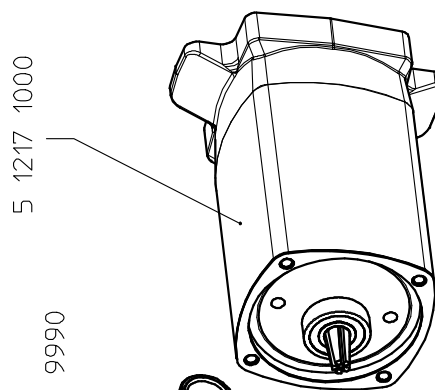
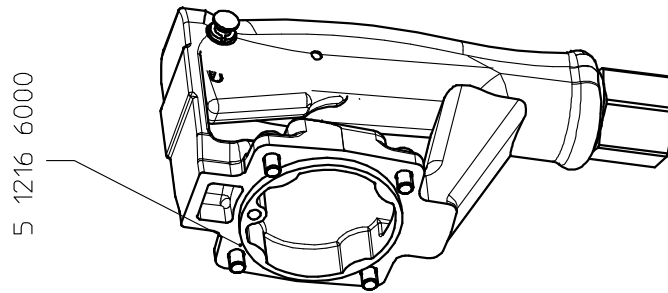
Spare Parts List

Description:

Pneumatic Sabre Saw

Part and drawing number:

5 1217 0020



Spare Parts List					
Description:				Part and drawing number:	
Motor				5 1217 1000	
Item	Qty.	Description	Part and drawing number		Remarks
1	1	Motor housing	5 1216 1010		
2	1	Sound absorber pipe	5 1216 1710		
3	1	End plate	1 1430 1110	*	
4	1	Grooved ball bearing	9 1003 0010	*	
5	1	Snap ring	9 1703 0050		
6	1	Spacer ring	1 1430 1080	*	
7	1	Cylinder bushing	5 6030 1020		
8	1	Brace	9 1630 1060		
9	1	Brace	9 1630 1060		
10	1	Rotor	5 1217 1030		
11	5	Vane	5 1216 1050	*	
12	1	End plate	5 6030 1100	*	
13	1	Grooved ball bearing	9 1003 0370	*	
14	1	Snap ring	9 1703 0070		
15	1	Spacer ring	5 1202 1080		
16	1	O-ring	9 1901 4950	*	
17	1	Motor cover	5 1216 1120		
19	1	Sealing	5 1218 4190	*	
20	1	Pinion	5 1216 4170		
21	1	Grooved ball bearing	9 1003 0470	*	
		* Wear parts to be stored in case of continuous use			

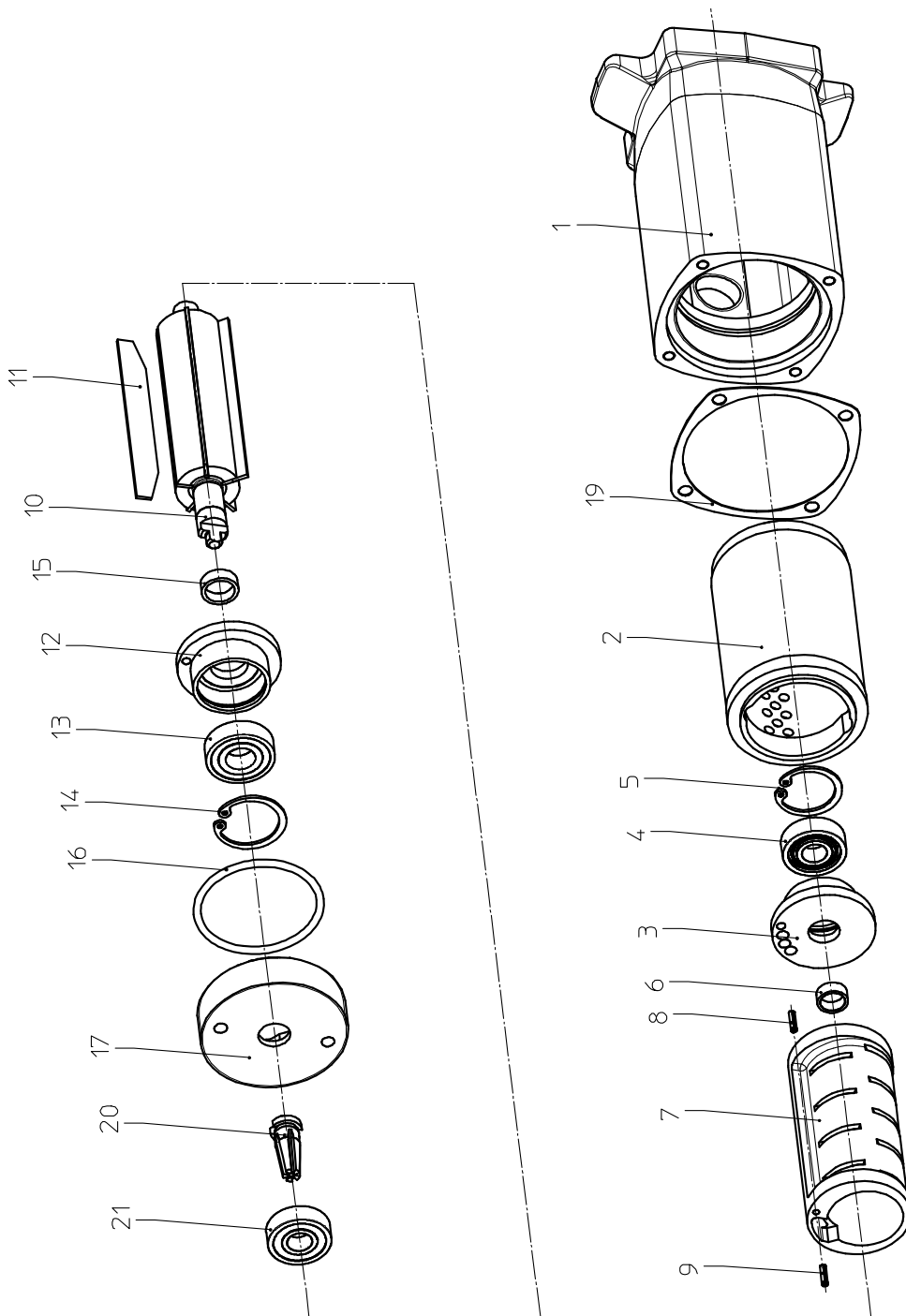
Spare Parts List

Description:

Motor

Part and drawing number:

5 1217 1000



Spare Parts List					
Description:				Part and drawing number:	
Handle				5 1216 6000	
Item	Qty.	Description	Part and drawing number		Remarks
22	1	Handle	5 1216 6910		
23	1	Valve trigger	5 6003 3040		
24	1	Double notched taper pin	9 1641 0020		
25	1	Cylindrical pin	9 1619 1360		
26	1	Sealing ring	9 1903 0990	*	
27	1	Steel ball	9 1017 0070		
28	1	Pressure spring	9 1803 1210		
29	1	Nipple with screen	9 2205 2250		
30	4	O-ring	9 1901 3140	*	
31	4	Socket head screw	9 1110 4010		
32	1	Bushing	5 1216 3160		
33	1	Guide sleeve	5 1216 3170		
34	1	Pressure spring	9 1803 3360		
35	1	Locking slide	5 1216 3150		
36	1	Lens head screw with cross slot	9 1166 0170		
37	1	Screw button	5 1216 3180		
		* Wear parts to be stored in case of continuous use			

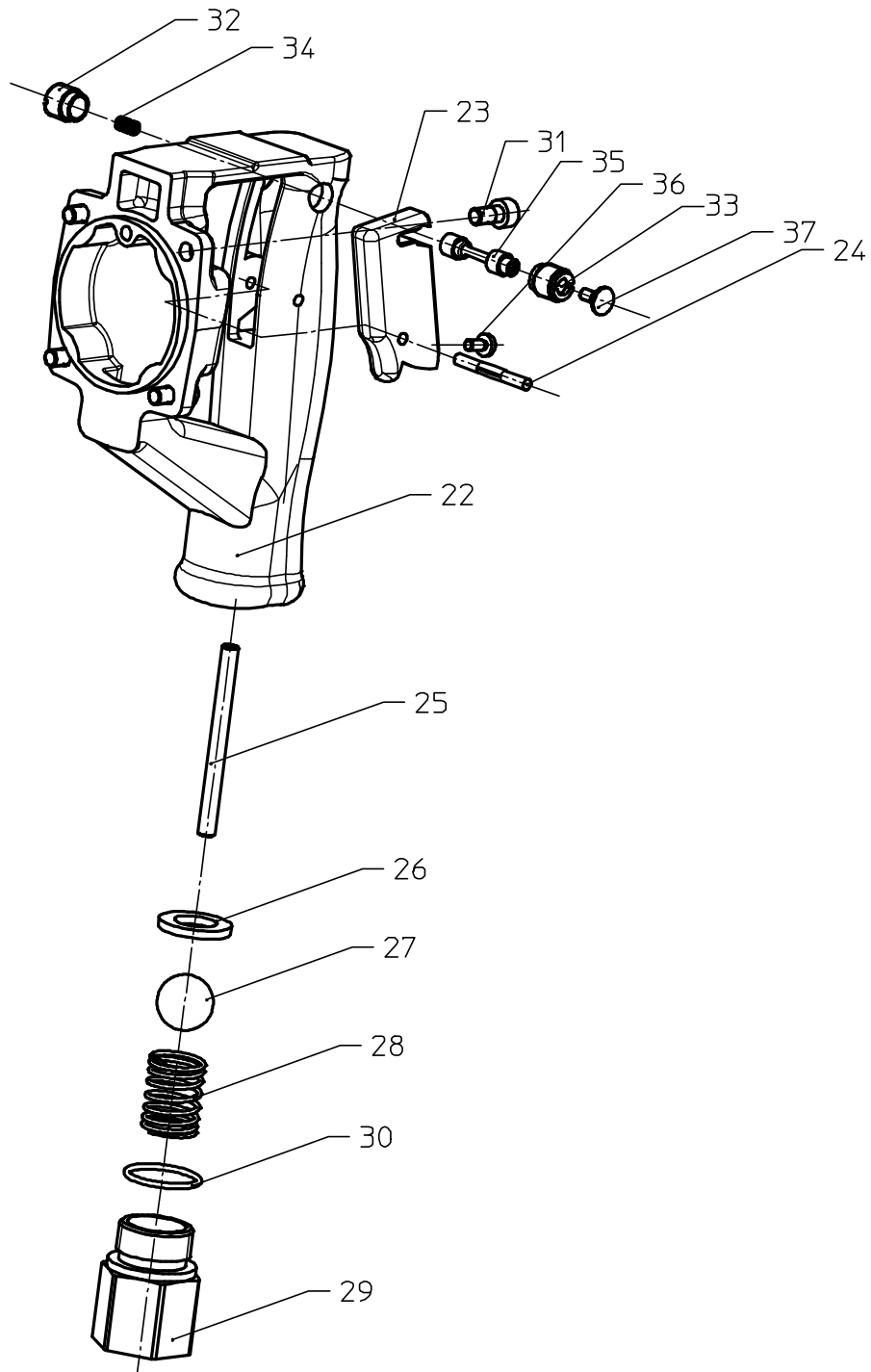
Spare Parts List

Description:

Handle

Part and drawing number:

5 1216 6000



Spare Parts List						
Description:				Part and drawing number:		
Gearbox head				5 1216 4000		
Item	Qty.	Description	Part and drawing number		Remarks	
1	1	Protective cover	5 1216 9010	*		
2	5	Socket head screw	9 1110 3120			
3	1	Saw blade pressure piece, assy.	5 1216 7920		with item 4	
4	1	Spiral pin (centring pin)	9 1642 0220			
5	1	Lift rod	5 1216 4260			
6	3	Socket head screw	9 1110 1040			
7	1	Gate	5 1216 4310			
8	1	Sealing	5 1216 4320	*		
9	1	Gear part 2	5 1216 4010			
10	2	Cylinder pin	9 1631 0150			
11	1	Needle bearing	9 1013 0450			
13	1	Socket head screw	9 1110 3080			
14	1	Spring pressure piece	9 1810 0080			
15	1	Supporting shoe	5 1216 7070			
16	1	Brace	9 1630 0870			
17	1	Sliding roller	5 1216 4180			
18	1	Pressure spring	9 1803 4360			
19	1	Steel ball	9 1017 0050			
22	1	Bevel gear wheel, assy.	5 1216 4930		with items 23, 24	
23	1	Needle sleeve	9 1014 0230			
25	1	Axial thrust bearing	9 1024 0400			
26	1	Axial disc	9 1024 0410			
27	4	Socket head screw	9 1110 3100			
28	1	Gear part 1	5 1216 4920		with item 30	
29	1	O-ring	9 1921 1430	*		
120	1	Roller guide	5 1216 4370			
122	2	Needle bearing with axle and shaft	5 1216 4970		with items 121, 123	
124	1	Roller holder, assy.	5 1216 4410		Items 121-123	
125	1	External ring	5 1216 4480			
126	1	Needle sleeve	9 1014 0120			
		* Wear parts to be stored in case of continuous use				

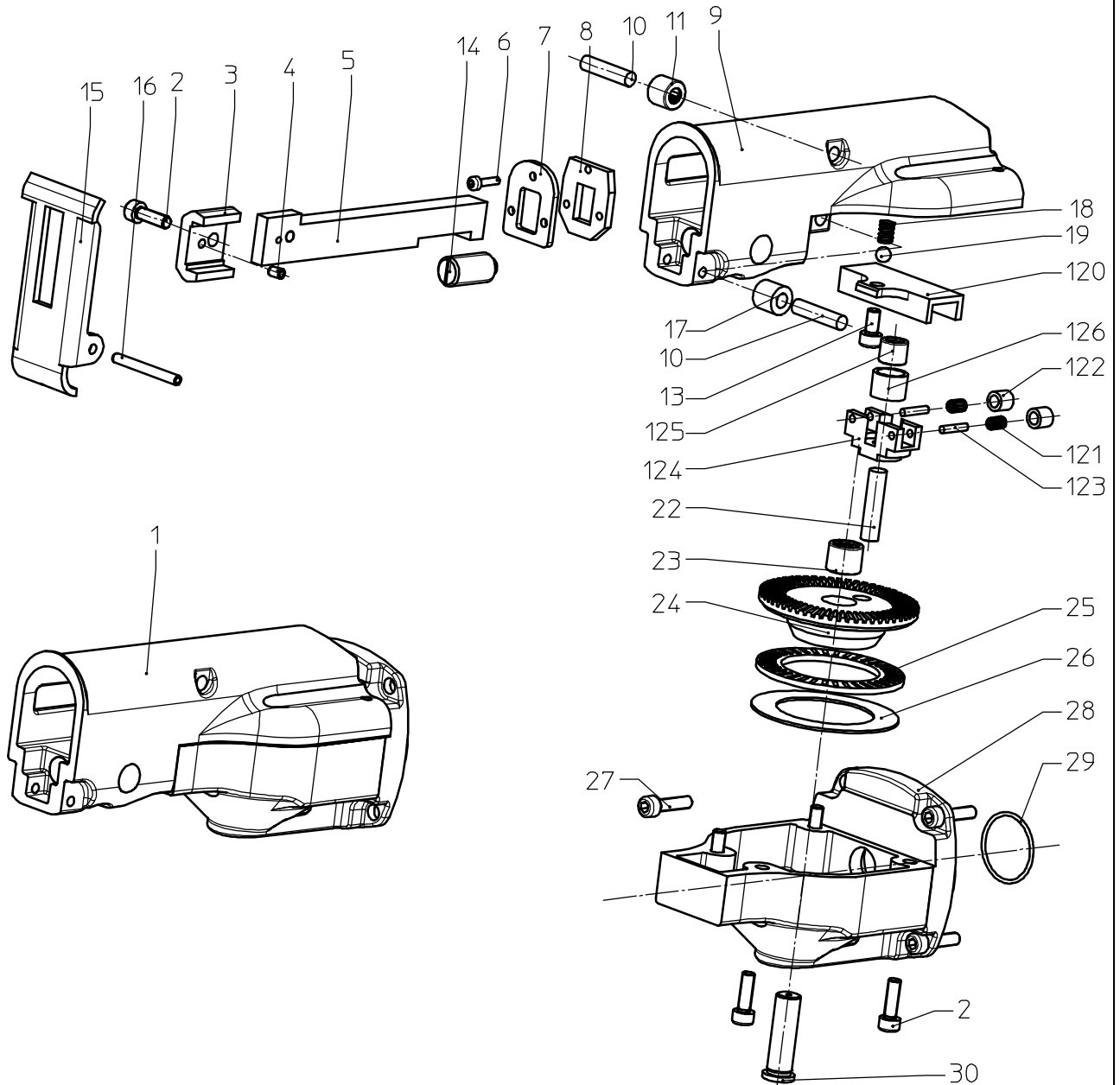
Spare Parts List

Description:

Gearbox head

Part and drawing number:

5 1216 4000





CS Unitec, Inc.
22 Harbor Ave, Norwalk, CT 06850
USA

Toll-free: 1-800-700-5919
(USA & Canada)
Phone: 203-853-9522
(outside USA & Canada)
Fax: 203-853-9921
E-Mail: info@csunitec.com
Internet: www.csunitec.com