

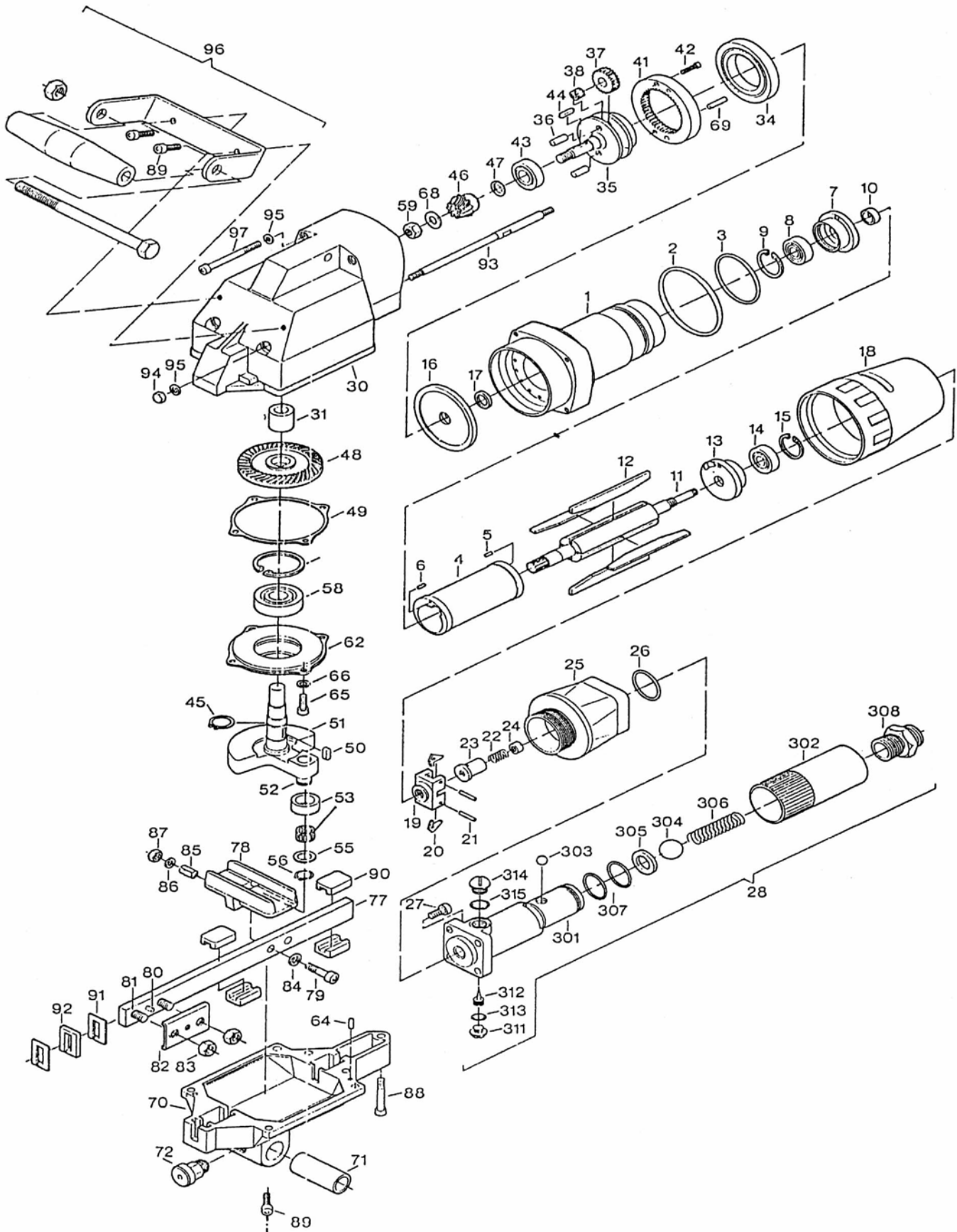
# CS UNITEC, INC.

22 Harbor Avenue  
Norwalk, CT 06850

Website: [www.csunitec.com](http://www.csunitec.com)

Email: [info@csunitec.com](mailto:info@csunitec.com)

## Model 5 1212 0050 – Air Hacksaw



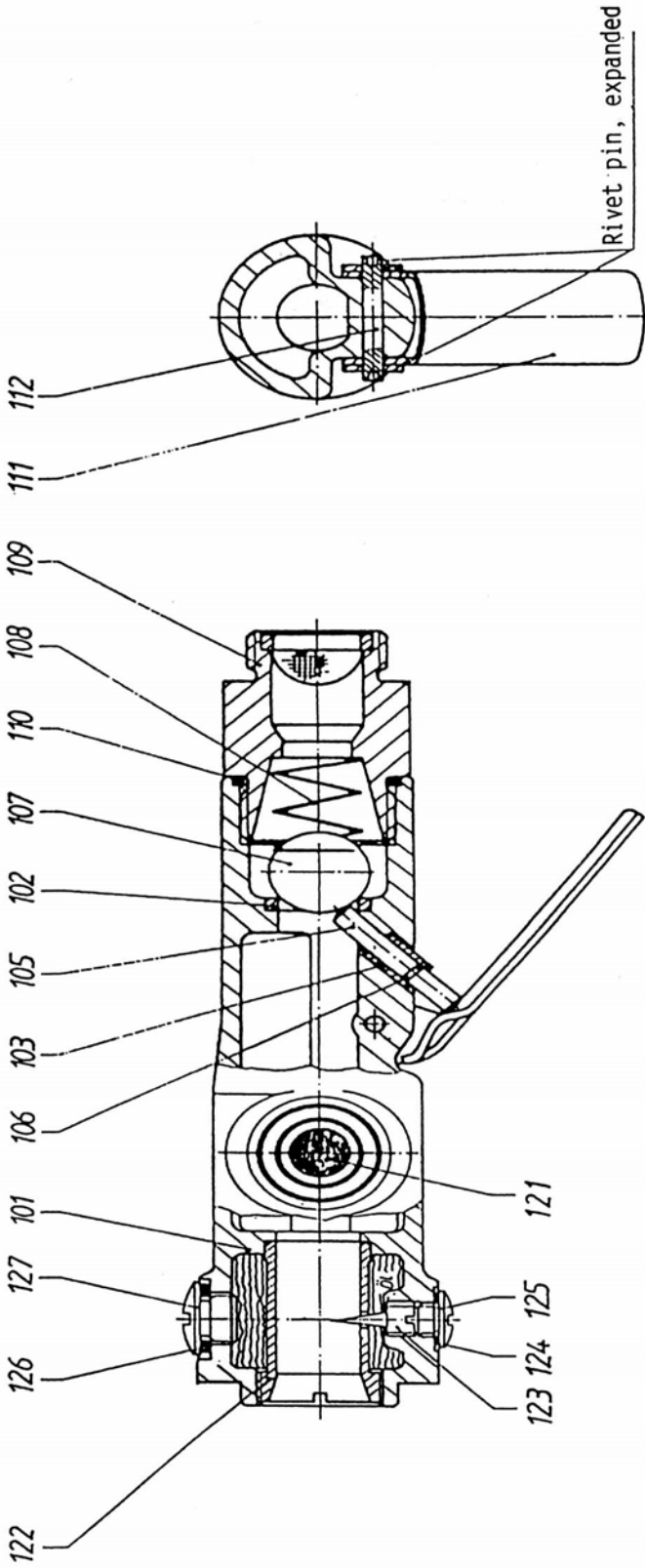
**CS UNITEC, INC.**

22 Harbor Avenue  
Norwalk, CT 06850

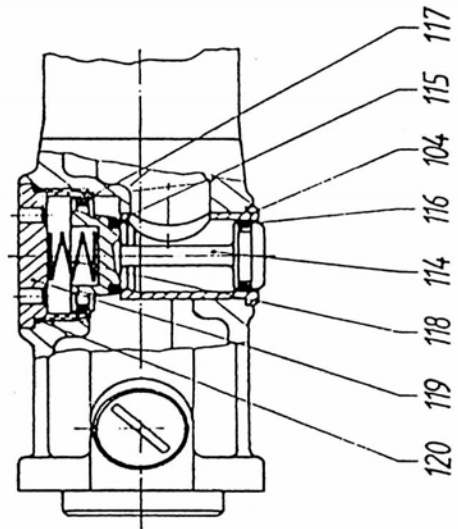
Website: [www.csunitec.com](http://www.csunitec.com)

Email: [info@csunitec.com](mailto:info@csunitec.com)

**Model 5 1212 0050 – Air Hacksaw  
Safety Lever Valve**



Safety Lever Valve R 3/4" with Oiler  
Type 9 2007 0080



*Not responsible for typographical errors.*

<u>POS. NO.</u>	<u>ITEM NO.</u>	<u>DESCRIPTION</u>	
	5 1201 7920	Lock Pin Assembly	3-34-12-015-01-9
	5 1202 4930	Crankshaft Assembly	3-34-05-022-02-8
	5 1202 4950	Connecting Rod	3-27-14-057-01-1
	5 1212 1000	Motor, Complete	
5 + 6	9 1642 0080	Pin, Locking	4-02-38-042-00-8
65 + 89	9 1110 3120	Screw	4-30-35-073-052 & 4 303509305
66 + 95	9 3329 0010	Locking Plate	4-24-43-004-05-7
1	5 1202 1910	Compressed Air Motor	3-13-05-176-01-4
2	9 1901 4170	O-Ring	4-06-12-058-00-5
3	9 1901 4180	O-Ring	4-06-12-059-00-9
4	1 1430 1020	Cylinder Bushing	3-13-05-180-00-3
7	5 1202 1100	End Plate	3-13-05-182-00-5
8	9 1003 0020	Bearing	4-17-01-007-05-0
9	9 1703 0070	Ring, Snap	4-26-16-027-00-9
10	5 1202 1080	Shim	3-13-05-183-00-9
11	5 1212 1030	Rotor	3-13-05-265-00-9
12	1 1430 1050	Vane (4 Required)	3-13-05-185-00-1
13	5 1202 1110	End Plate	3-13-05-186-00-4
14	9 1003 0010	Bearing	4-17-01-010-05-4
15	9 1703 0050	Ring, Snap	4-26-16-001-00-5
16	5 1202 1130	Packing Washer	3-13-05-187-00-8
17	9 1902 0470	Felt Strip	3-13-05-188-00-6
18	5 1202 1120	Rotary Sleeve	3-13-05-189-00-0
19	1 1430 2020	Weight Clip	3-13-05-266-00-2
20	1 1834 2030	Governor Weight	3-13-05-267-00-6
21	9 1619 0150	Pin	3-13-05-268-00-4
22	9 1803 2690	Spring	3-13-05-269-00-8
23	1 1430 2160	Governor Basket	3-13-05-270-00-0
24	1 1430 2050	Nut	3-13-05-271-00-9
25	5 1212 2010	Governor Casing, Complete	3-13-05-339-00-7
26	9 1901 3130	O Ring (See P/N 237 469)	4-06-12-060-00-1
27	9 1112 4020	Screw	4-30-33-064-06-6
28	9 2008 0050	Twist Throttle FOR HACKSAW	3-13-05-200-02-2
30	5 1205 4910	Gear Housing	3-12-09-013-00-2
34	9 1002 0070	Ball Bearing, Grooved	4-17-01-607-01-2
35	5 1202 4030	Drive Head	3-01-10-021-00-9
36	5 1202 4050	Pin	3-02-16-099-00-6
37	5 1202 4040	Gear Wheel	3-36-13-075-003
38	9 1015 0300	Needle Cage for Air Hacksaw	
41	5 1202 4020	Gear Rim	3-38-04-015-00-5
42	9 1115 1020	Screw, Cylindrical	4-30-02-108-99-7
43	9 1003 0370	Bearing	4-17-01-010-03-2
44	9 1501 1120	Key	4-02-21-008-00-3
45	9 1702 0090	SNAP RING-REPLACES 9 1713 0	4-26-41-001-00-2

CS Unitec, Inc.

22 Harbor Ave, Norwalk, CT 06850

Telephone: 203-853-9522 Toll Free: 800-700-5919 Fax: 203-853-9921

WebSite: [www.csunitec.com](http://www.csunitec.com) E-Mail: [info@csunitec.cc](mailto:info@csunitec.cc)

*Not responsible for typographical errors.*

<u>POS. NO.</u>	<u>ITEM NO.</u>	<u>DESCRIPTION</u>	
46	5 1202 4920	Bevel Gear Complete	3-38-09-142-01-9
47	5 1202 4140	Washer	3-26-24-087-02-8
47	5 1202 4340	Balance Ring	3-26-24-087-03-4
49	5 1202 4150	Balance Ring	
49	5 1202 4350	Balance Ring	3-26-24-086-03-0
50	9 1501 2080	Feather	4-02-21-017-00-4
51	5 1202 4160	Crankshaft	3-34-05-022-00-3
52	5 1202 4170	Pin	3-02-17-200-00-4
53	9 1025 0200	BEARING	4-17-24-001-00-5
55	5 1202 4490	WASHER	3-24-08-212-00-6
56	9 1702 0050	Retaining Ring	4-26-16-006-00-7
58	9 1004 0270	Bearing	4-17-01-222-03-8
59	5 1202 4210	Nut, Hexagon	4-20-19-006-08-0
62	5 1213 4220	Bearing Plate-OLD#5 1202 4220	3-24-19-063-00-0
63	9 1703 0120	Snap Ring	4-26-16-003-00-2
64	9 1626 0180	Pin, Notched Taper	4-02-47-006-00-2
68	9 3302 0030	Washer	3-24-08-232-00-4
69	9 1626 0060	Grooved Pin	4-02-47-007-00-6
70	5 1202 4940	Gear Casing Cover Complete	3-24-29-068-01-9
73	5 1202 4200	Locking Pin	3-34-12-015-00-0
74	5 1202 4230	Sleeve	3-05-10-025-00-4
75	9 1803 0300	Pressure Spring	3-09-01-113-00-8
76	5 1202 4250	Ring	3-26-01-193-00-8
77	5 1202 4260	Connecting Rod	3-27-14-057-00-2
78	5 1202 4270	Connecting Link	3-27-14-059-00-4
79	9 1110 4040	Fillister Head Screw	4-30-35-080-06-8
80	9 1619 0180	Cylindrical Pin	4-02-01-036-00-6
81	5 1202 4280	Threaded Pin	4-30-07-038-08-8
82	5 1201 7060	Pressure Plate	3-27-14-011-00-0
83	9 1203 0050	Nut Hexagon	See # 251 048
84	9 3302 0020	Disc	4-24-01-003-06-3
85	9 1632 0010	Clamping Sleeve	4-02-38-014-00-3
86	9 3312 0010	Spring Washer	4-24-45-003-06-0
87	9 1203 0040	Nut Hexagon	4-20-01-029-06-6
88	9 1110 3030	Screw	4-30-33-015-05-2
90	5 1206 4300	Bushing, Brass	3-16-04-008-00-1
91	9 1902 0490	Scraper	3-27-14-058-00-0
92	9 1902 0500	Felt	3-06-04-042-00-7
93	9 1643 0010	Stay Bolt	3-30-23-060-00-5
94	9 1211 0020	Nut	4-20-19-005-05-2
96	5 1202 6000	Handle	3-21-19-044-01-2
97	9 1112 3090	Screw	4-305-507-305-2
98	9 1110 3080	Fillister Head Screw	Replaces 80201230
301	1 1901 3920	Valve Box Assembly	3-13-05-200-01-6

CS Unitec, Inc.

22 Harbor Ave, Norwalk, CT 06850

Telephone: 203-853-9522 Toll Free: 800-700-5919 Fax: 203-853-9921

WebSite: [www.csunitec.com](http://www.csunitec.com) E-Mail: [info@csunitec.com](mailto:info@csunitec.com)

*Not responsible for typographical errors.*

<u>POS. NO.</u>	<u>ITEM NO.</u>	<u>DESCRIPTION</u>	
302	1 1901 3930	Rotary Sleeve	3-13-05-201-00-6
303	9 1017 0060	Ball	3-13-05-202-00-9
304	9 1017 0070	Ball	3-13-05-203-00-3
305	9 1903 0240	Seal	3-13-05-204-00-1
306	9 1803 0090	Spring	3-13-05-205-00-5
307	9 1901 3170	O Ring	3-13-05-206-00-8
308	9 2205 1180	Nipple	3-13-05-207-00-2
311	9 1150 9020	Filler Plug, Old # 9 1150 9070	3-13-05-208-00-0
312	9 1151 9010	Screw	3-13-05-209-00-4
313	9 1903 0260	Sealing Ring	3-13-05-210-00-6
314	9 1150 9030	Screw	3-13-05-211-00-5
315	9 1903 0340	Sealing ring	3-13-05-212-00-8

CS Unitec, Inc.

22 Harbor Ave, Norwalk, CT 06850

Telephone: 203-853-9522 Toll Free: 800-700-5919 Fax: 203-853-9921

WebSite: [www.csunitec.com](http://www.csunitec.com) E-Mail: [info@csunitec.com](mailto:info@csunitec.com)

*Not responsible for typographical errors.*

<b>POS. NO.</b>	<b>ITEM NO.</b>	<b>DESCRIPTION</b>	
101	2 2045 3910	Valve Housing Complete	3-13-05-332-01-1
102	1 2134 3050	Ring	3-13-05-333-00-6
103	1 1901 3050	Valve Bushing	3-13-05-334-00-4
104	1 2034 3060	Sleeve	3-13-05-336-00-1
105	1 2034 3070	Pin-SEE # 1 2034 3080	3-13-05-336-00-1
106	9 1901 2020	O-Ring	4-06-12-065-00-9
108	9 1803 2170	Spring	3-13-05-338-00-3
109	9 2205 1060	Nipple	3-13-05-339-00-7
110	9 1901 3280	O Ring	4-06-12-155-00-9
111	1 1901 3030	Valve Lever	3-13-05-340-00-9
112	9 1611 0040	Rivet	3-13-05-341-00-8
114	1 2034 3920	Differential Piston	3-13-05-342-00-1
115	9 1901 3550	O-Ring	4-06-12-156-00-2
116	9 1901 3110	O-Ring	4-06-12-113-00-1
117	9 1901 3240	O-Ring	4-06-12-157-00-6
118	9 1803 0780	Pressure Spring	3-13-05-343-00-5
119	1 2034 3100	Guide Bushing	3-13-05-344-00-3
120	9 1901 2380	O-Ring	4-06-12-158-00-4
122	2 2045 3110	Oiler Tube	3-13-05-345-00-7
125	9 1150 9020	Filler Plug, Old # 9 1150 9070	3-13-05-208-00-0
126	9 1903 0340	Sealing ring	3-13-05-212-00-8
127	9 1150 9030	Screw	3-13-05-211-00-5

CS Unitec, Inc.

22 Harbor Ave, Norwalk, CT 06850

Telephone: 203-853-9522 Toll Free: 800-700-5919 Fax: 203-853-9921

WebSite: [www.csunitec.com](http://www.csunitec.com) E-Mail: [info@csunitec.com](mailto:info@csunitec.com)