

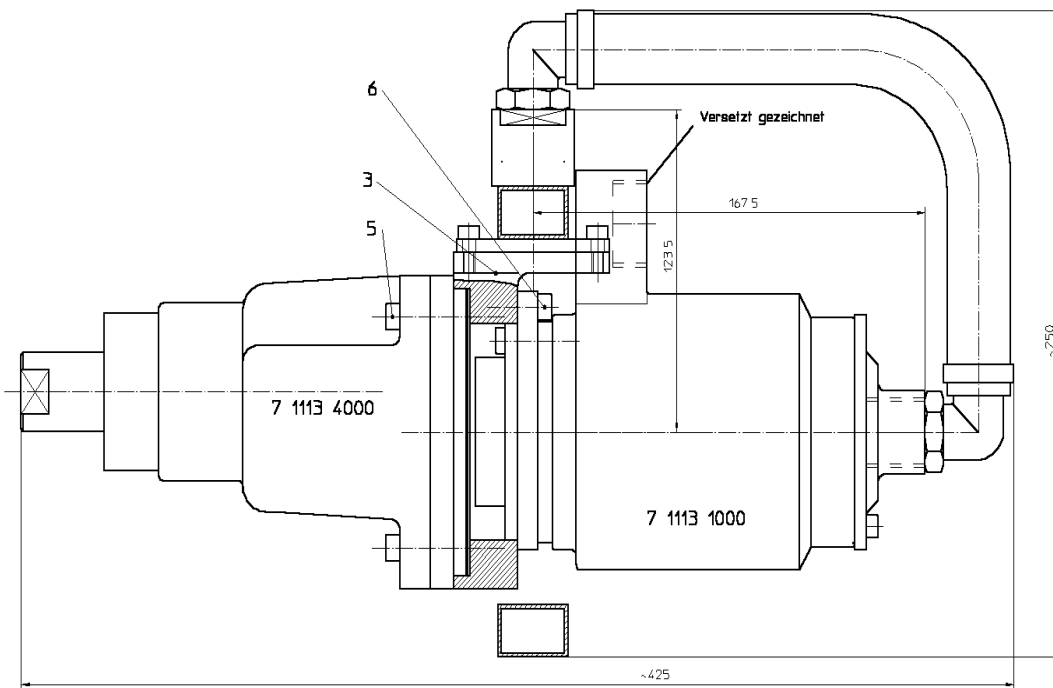
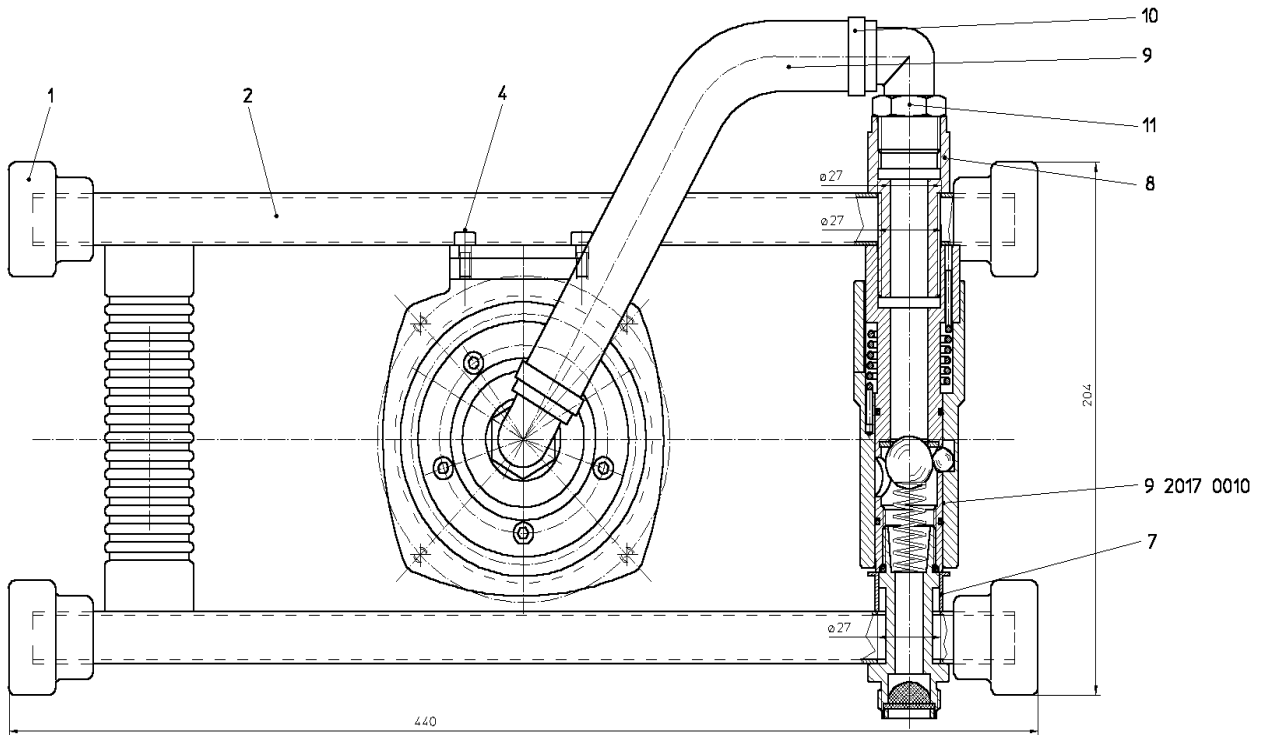
CS UNITEC, INC.

22 Harbor Avenue
Norwalk, CT 06850

Website: www.csunitec.com

Email: info@csunitec.com

Pneumatic Mixer Model 7 1113 0010



Not responsible for typographical errors.

POS. NO.	ITEM NO.	DESCRIPTION	
	7 1113 1000	Pneumatic Motor	
	7 1113 4000	Gear Box	
	9 2017 0010	Twist Throttle	
1	7 1111 6520	Absorber Buffer	
2	7 1113 6510	Frame Handle	
3	7 1113 1130	Flange	
4	9 1110 3080	Fillister Head Screw	
5	9 1110 4060	SCREW	
6	9 1110 4030	Fillister Head Screw	SEE#-032.0036 OR 020.0146
7	7 1113 1180	Sleeve	
8	9 2205 1790	Nipple	
9	9 3602 0210	Plastic Hose	
10	9 2104 0110	Clamp	
11	9 2123 0040	Elbow	

CS Unitec, Inc.

22 Harbor Ave, Norwalk, CT 06850

Telephone: 203-853-9522 Toll Free: 800-700-5919 Fax: 203-853-9921

WebSite: www.csunitec.com E-Mail: info@csunitec.com

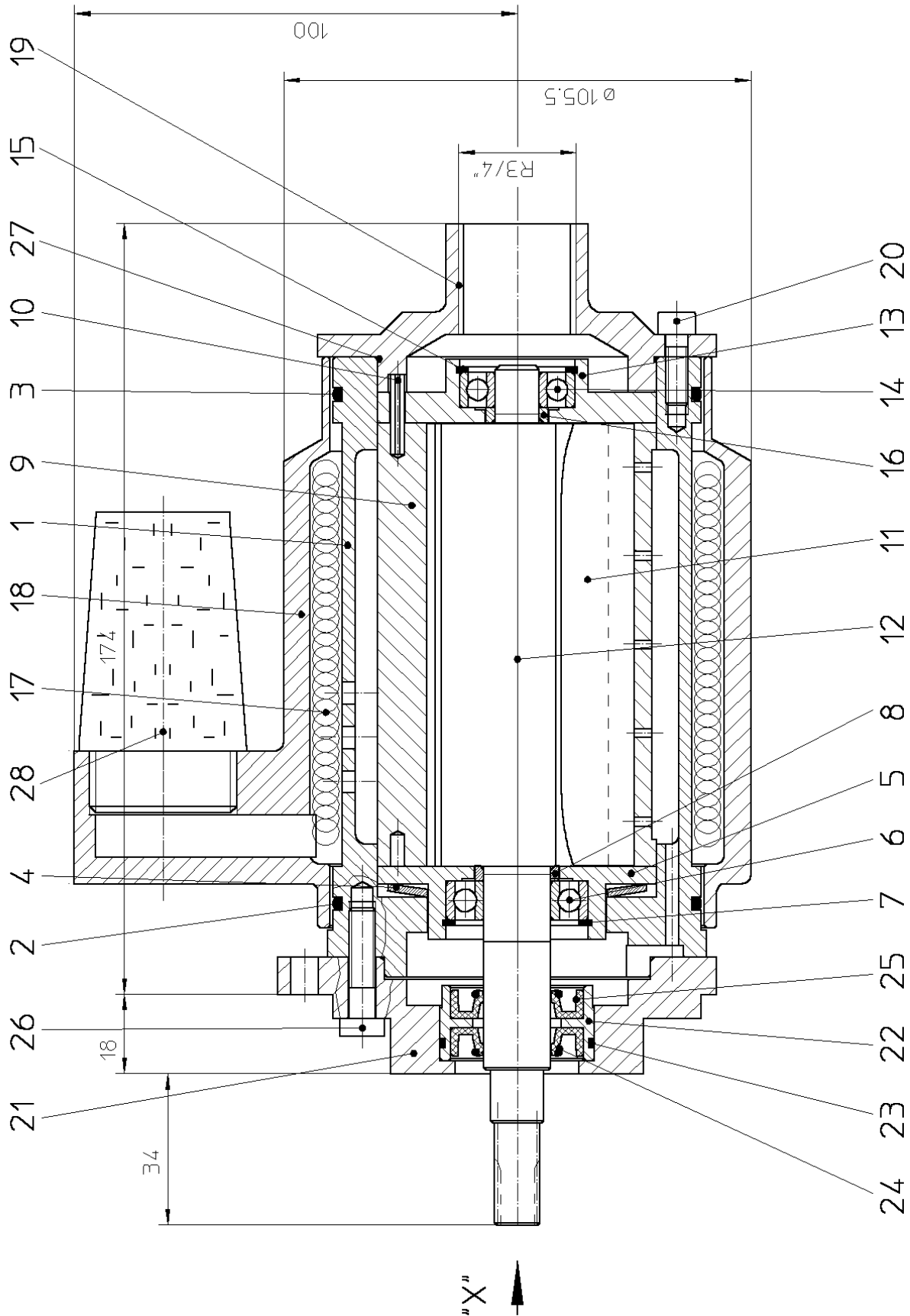
CS UNITEC, INC.

22 Harbor Avenue
Norwalk, CT 06850

Website: www.csunitec.com

Email: info@csunitec.com

Pneumatic Mixer Motor Model 7 1113 1000



Drehrichtung in "X" gesehen rechts

Not responsible for typographical errors.

<u>POS. NO.</u>	<u>ITEM NO.</u>	<u>DESCRIPTION</u>	
2 + 3	9 1901 3850	O-Ring	
24 + 25	9 1905 0590	Radial Shaft Sealing	
1	3 7343 1010	Motor Housing	
4	9 1802 0260	Spring, Belleville	
5	7 1401 1100	End Plate	
6	9 1003 0030	Bearing	SEE # 101 583
7	9 1703 0100	Snap Ring	
8	3 7594 1080	Spacer	
9	3 7339 1020	Cylinder Bushing	
10	9 1630 0270	Adapter Sleeve	
11	3 7343 1050	Vane	
12	7 1113 1030	Rotor	
13	2 1313 1110	End Plate	
14	9 1003 0010	Bearing	4-17-01-010-05-4
15	9 1703 0050	Ring, Snap	4-26-16-001-00-5
16	2 1301 1090	Spacer	
18	3 7343 1120	Adapter Sleeve	
19	7 1113 1140	Motor Cover	
20	9 1110 3120	Screw	4-30-35-093-05-2
21	7 1113 1150	Cover	
22	2 1313 4080	Gasket	
23	9 1901 2060	O-Ring	
26	9 1112 4050	Fillister Head Screw	
27	9 1901 2470	O-Ring	
28	9 3801 1040	Muffler	

CS Unitec, Inc.

22 Harbor Ave, Norwalk, CT 06850

Telephone: 203-853-9522 Toll Free: 800-700-5919 Fax: 203-853-9921

WebSite: www.csunitec.com E-Mail: info@csunitec.com

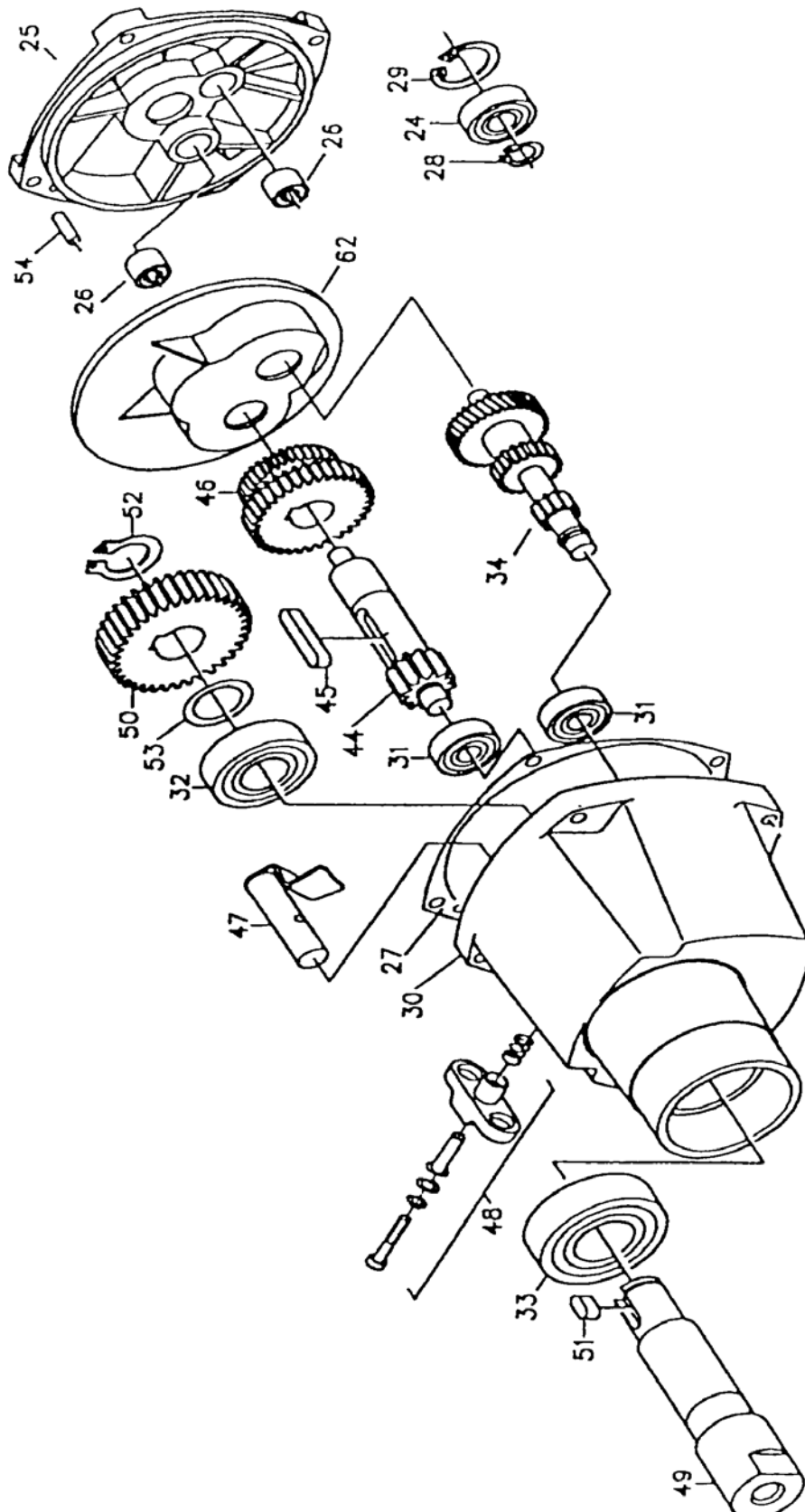
CS UNITEC, INC.

22 Harbor Avenue
Norwalk, CT 06850

Website: www.csunitec.com

Email: info@csunitec.com

Pneumatic Mixer Gearbox Model 7 1113 4000



Not responsible for typographical errors.

POS. NO.	ITEM NO.	DESCRIPTION	
24	9 1003 0370	Bearing	4-17-01-010-03-2
25	7742A610	End Shield of Gear	
26	9 1014 0010	Needle Bearing	SEE#S-80420110
28	80201320	Safety Ring	Replaces 050.0176
29	9 1703 0070	Ring, Snap	4-26-16-027-009
31	9 1003 0010	Bearing	4-17-01-010-05-4
32	9 1003 0450	Grooved Ball Bearing	
33	80410151	Bearing	
34	7 1113 4170	Intermediate Shaft 1, Assy.	
44	7 1113 4180	Intermediate Shaft 2, Assy.	
45	80200607	Fitting Key	
46	7 1113 4240	Cluster Gears	
47	7 1113 4450	Coupling Bolt	
48	71540545	Gear Switch	Replaces 040.0286
49	77420420	Spindle	
50	7 1113 4340	Spindle Wheel	
51	80200604	Key	
52	80201324	Safety Ring 20x1.2	
53	80200509	Fitting Washer 20x0.1	
54	80200580	Notched Pin 5x16	
62	7 1113 4110	Grease Chamber	

CS Unitec, Inc.

22 Harbor Ave, Norwalk, CT 06850

Telephone: 203-853-9522 Toll Free: 800-700-5919 Fax: 203-853-9921

WebSite: www.csunitec.com E-Mail: info@csunitec.com

CS UNITEC, INC.

22 Harbor Avenue

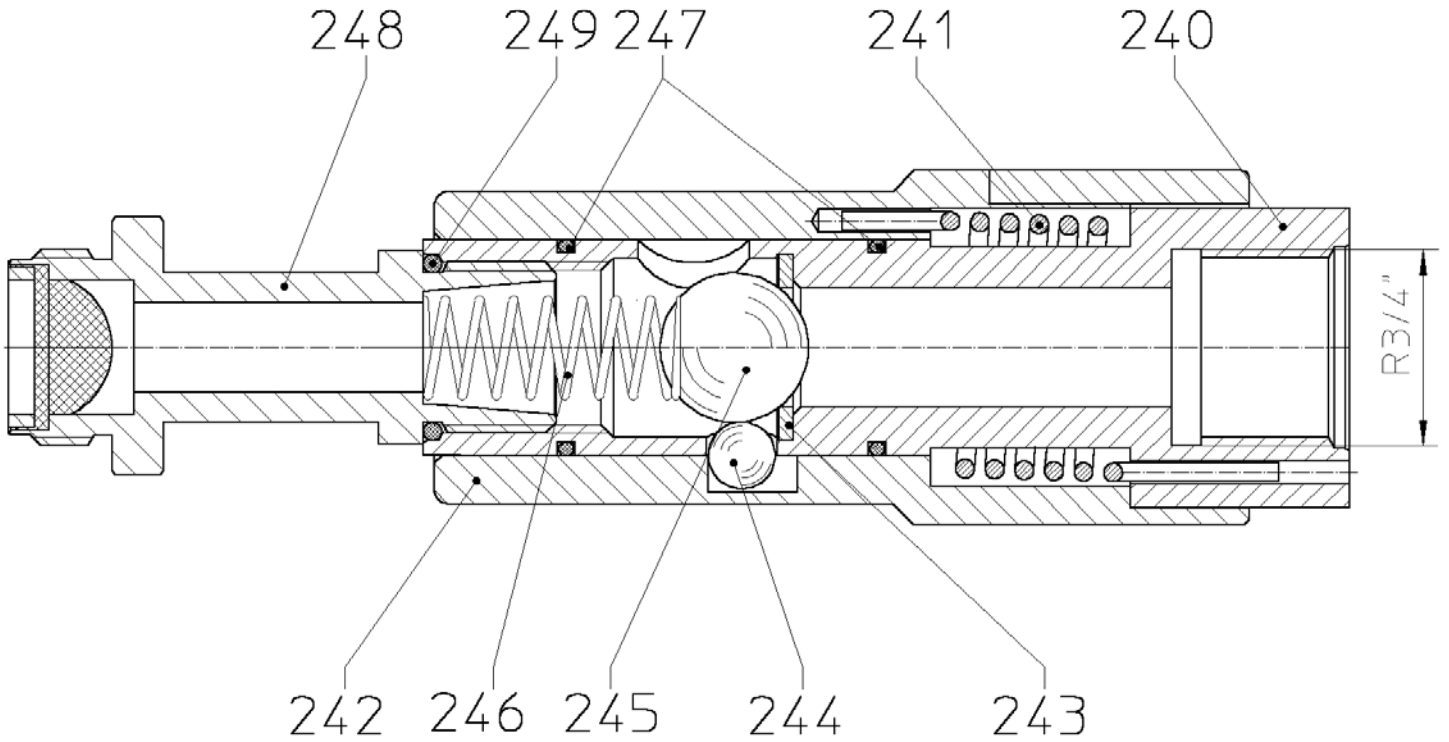
Norwalk, CT 06850

Website: www.csunitec.com

Email: info@csunitec.com

Pneumatic Mixer Model 7 1113 0010 –

Twist Throttle No. 9 2017 0010



Not responsible for typographical errors.

POS. NO.	ITEM NO.	DESCRIPTION	
244 + 24	9 1017 0070	Ball	3-13-05-203-00-3
240	7 1113 3010	Valve Housing	
241	9 1807 0020	SPRING FOR THROTTLE	
242	7 1113 3910	Turning Sleeve	
243	9 1903 0240	Seal	3-13-05-204-00-1
246	9 1803 3580	Compression Spring	
247	9 1901 3170	O Ring	3-13-05-206-00-8
248	9 2216 1180	Connecting Nipple Assy.	
249	9 1901 3860	O-Ring	

CS Unitec, Inc.

22 Harbor Ave, Norwalk, CT 06850

Telephone: 203-853-9522 Toll Free: 800-700-5919 Fax: 203-853-9921

WebSite: www.csunitec.com E-Mail: info@csunitec.com