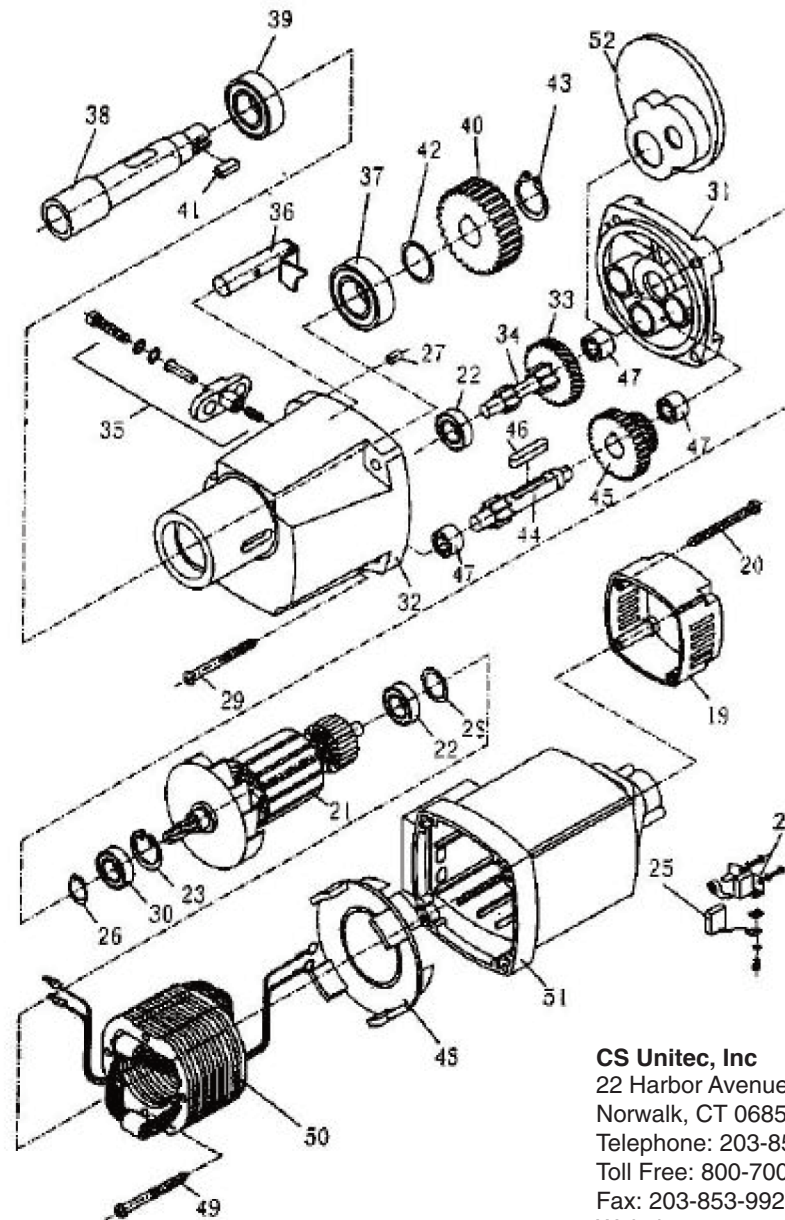
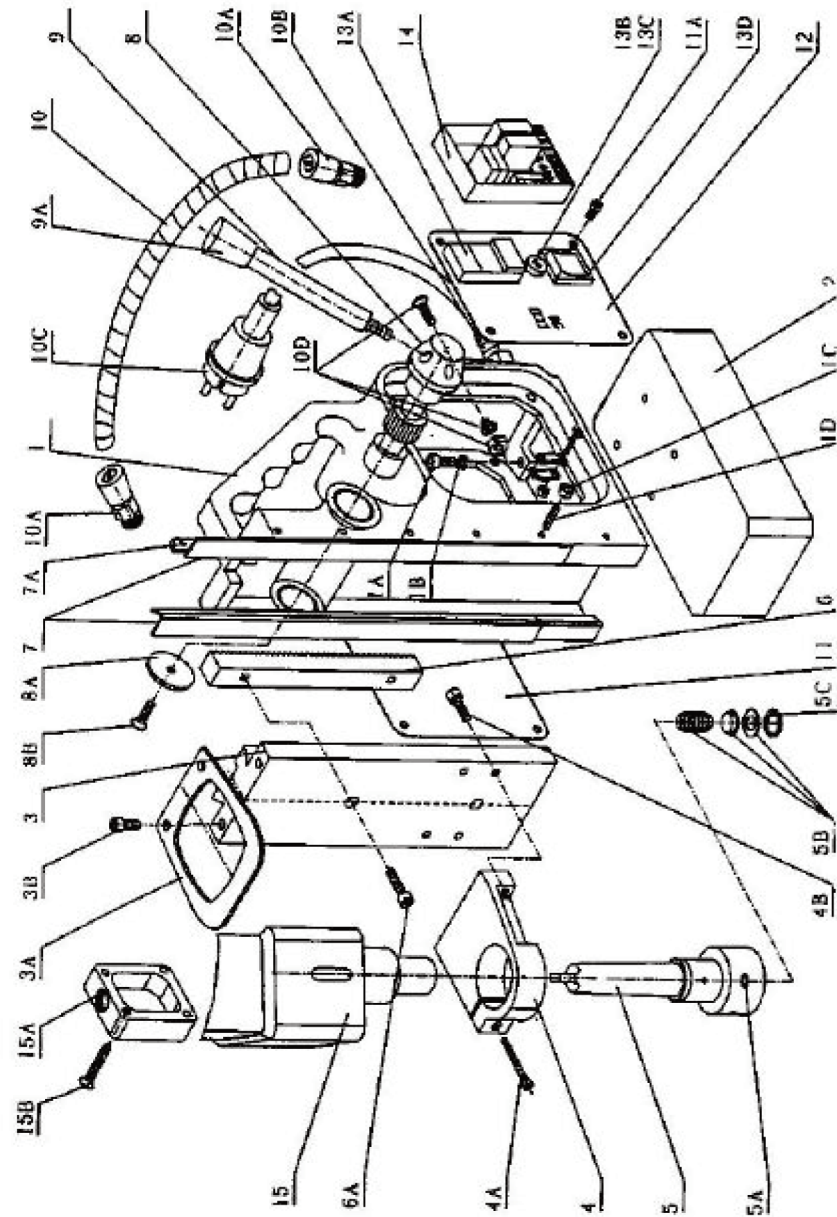


# Magnetic Drill Model CSU 50AC

Parts interchangeable with ECO-50 and ECO-50AK  
 purchased from CS Unitec, Inc. prior to April 30, 2012



**CS Unitec, Inc**  
 22 Harbor Avenue  
 Norwalk, CT 06850  
 Telephone: 203-853-9522  
 Toll Free: 800-700-5919  
 Fax: 203-853-9921  
 Website: [www.csunitec.com](http://www.csunitec.com)  
 E-Mail: [info@csunitec.com](mailto:info@csunitec.com)

*Not responsible for typographical errors.*

<b><u>POS. NO.</u></b>	<b><u>ITEM NO.</u></b>	<b><u>DESCRIPTION</u></b>	
	020.0087	Brass Rail Set (Profile)	
	020.0098	Setting Set	
10a	020.0041	Cable Gland	
10b	020.0031	Cable Gland	
10c	020.0036	Power Cord	
10d	020.0182	Screw	
11a	020.0101	Screw	
13a	020.0006	Switch, On/Off	
13b	020.0016	Fuse Holder	
13c	020.0017	Fuse	
13d	020.0011	Magnet Switch	
15a	050.0586	Cable Housing	
15b	050.0587	Screw	
16 + 17	KSP 100	Coolant Tank Set	Replaces OIL05
18a	050.0051	Stop Pin	
1a + 3b	020.0106	Socket Screw	
1b	020.0111	Washer	
1c	020.0091	Screw	
1d	020.0096	Nut	
26 + 40	80201320	Safety Ring	Replaces 050.0176
3a	040.0041	Top Fixing Plate	
4 + 51	7132A200	Motor Housing	Replaces 050.0141
4a	020.0146	Socket Screw	
4b + 6a	020.0156	Screw for Springball	
5a	020.0185	Screw, Fixing	
5b	020.0123	Springset	
8a	020.0077	End Plate	
8b	020.0081	Screw	
9 + 9a	020.0066	Handle	
1	020.0056	Frame	
2	020.0051	Magnet	
3	050.0011	Slide	
5	IMC 2Q	Arbor, MT #2, Quick Connect	
6	032.0016	Rack	
7	020.0086	Brass Rail Set	
8	020.0061	Rack & Pinion	
10	020.0046	Cable Complete (motor)	
11	032.0006	Rear Plate	
12	050.0001	Front Plate	
14	020.0002	Circuit Board	
15	050.0102	Motor	
19	050.0111	End Cover	
20	80201267	Screw	Replaces 050.0112
21	7132D100	Armature	Replaces 050.0186

### **CS Unitec, Inc**

22 Harbor Avenue, Norwalk, CT 06850

Telephone: 203-853-9522 • Toll Free: 800-700-5919 • Fax: 203-853-9921

Website: [www.csunitec.com](http://www.csunitec.com) • E-Mail: [info@csunitec.com](mailto:info@csunitec.com)

*Not responsible for typographical errors.*

<b><u>POS. NO.</u></b>	<b><u>ITEM NO.</u></b>	<b><u>DESCRIPTION</u></b>	
22	80410011	Bearing	Replaces 032.0221
23	80201333	Safety Ring 28/1.2	Replaces 050.0166
24	80201196	Carbon Brush Holder	Replaces 050.0371
25	80700013	Carbon Brush	Replaces 050.0147
27	80200582	Notched Pin	Replaces 032.0211
28	83000036	O-Ring	Replaces 050.0116
29	80201284	Screw	Replaces 032.0106
30	80410031	Bearing	Replaces 032.0171
31	7132A610	Gear Cap	Replaces 050.0236
32	71323400	Gear Housing	Replaces 050.0206
33	7132A470	Gear	Replaces 050.0251
34	71323500	Gear Shaft	Replaces 050.0246
35	71540545	Gear Switch	Replaces 040.0286
36	71323520	Shift Arm Complete	Replaces 050.0291
37	80410130	Bearing	Replaces 050.0221
38	71323420	Drive Shaft	Replaces 050.0191
39	80410152	Ball Bearing	Replaces 050.0466
42	80200504	Fitting Washer	Replaces 050.0181
43	050.0426	Circlip	
44	71223460	Gear Shaft	Replaces 050.0231
45	71323440	Gear	Replaces 050.0171
46	80200602	Fitting Spring, hardened	Replaces 050.0301
47	80420110	Needle Sleeve	Replaces 050.0161
48	7132A140	Air Guiding Ring	Replaces 050.0261
49	80201266	Screw	Replaces 032.0156
50	7132D150	Field	Replaces 050.0277
52	050.0211	Plate for Gear Casing	

### **CS Unitec, Inc**

22 Harbor Avenue, Norwalk, CT 06850

Telephone: 203-853-9522 • Toll Free: 800-700-5919 • Fax: 203-853-9921

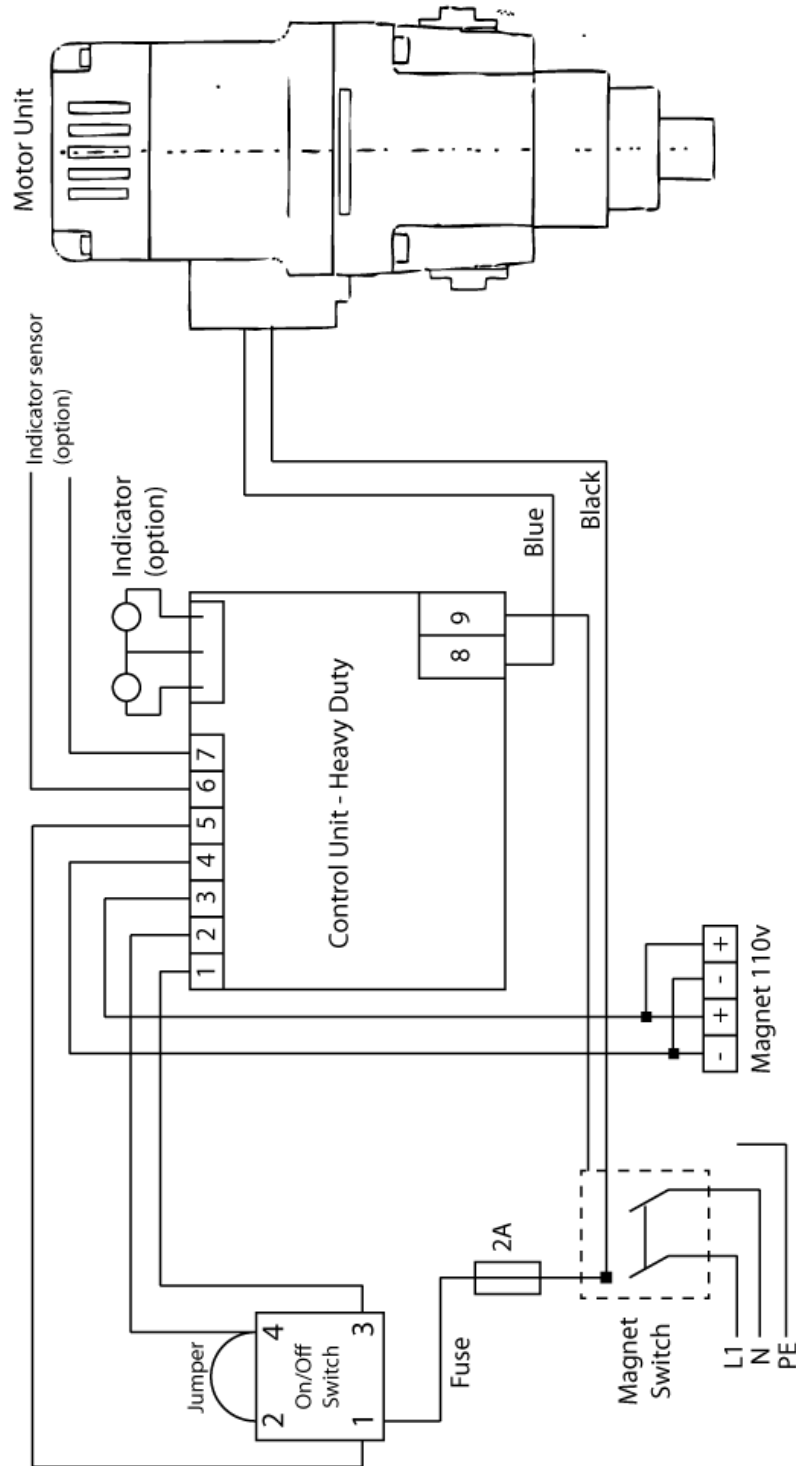
Website: [www.csunitec.com](http://www.csunitec.com) • E-Mail: [info@csunitec.com](mailto:info@csunitec.com)

# WIRING DIAGRAM



Model #s

**CSU 32AC / CSU 80AC / CSU 50AC**



10/8/2013