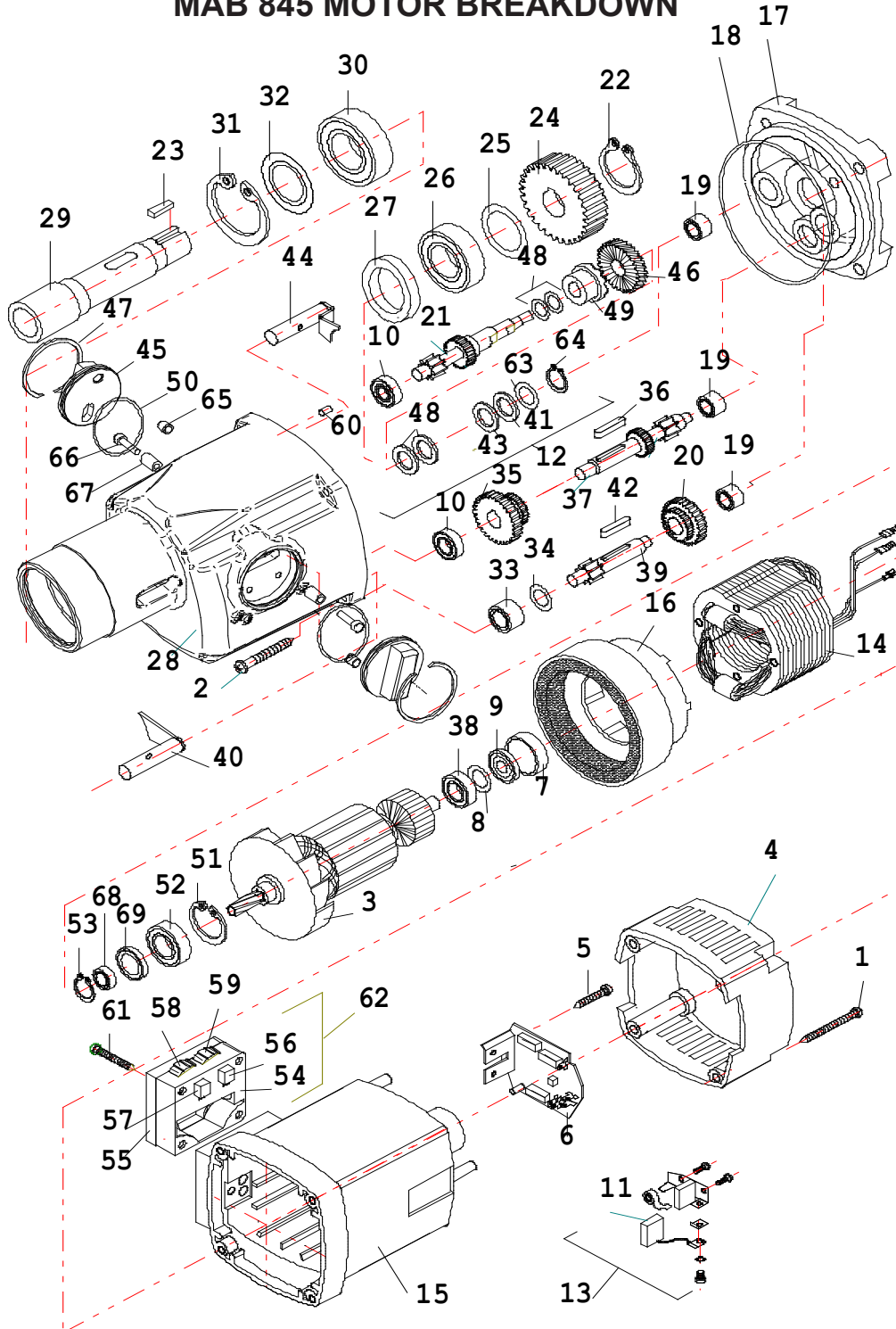


PLEASE SPECIFY TOOL MODEL # WHEN ORDERING PARTS

PARTS BREAKDOWN	Model #: MAB 845	Bulletin #: 09-2011
PARTS LISTING	Description: Portable Magnetic Drill	Prepared By: SCW
WIRING DIAGRAM	Date: 11/30/2011	

MAB 845 MOTOR BREAKDOWN



PLEASE SPECIFY TOOL MODEL # WHEN ORDERING PARTS

PARTS BREAKDOWN	Model #: MAB 845	Bulletin #: 09-2011
PARTS LISTING	Description: Portable Magnetic Drill	Prepared By: SCW
WIRING DIAGRAM	Date: 11/30/2011	

MAB 845 MOTOR PARTS LIST

Pos. #	Part #	Description
1	5010581	Screw 4,8 x 45
2	5010911	Screw 5,5 x 38
3	5050061	Armature 220-240V
3A	5013911	Armature 110V
4	5011531	Cap for motor housing
5	5010951	Screw HF 3,9 x 9,5
6	5011541	PC board 220-240V
6A	6012161	PC board 110V
7	5011561	Bearing cap
8	5011741	Pressboard washer
9	5011571	Ring magnet
10	5011011	Ball bearing 6000
11	5011581	Carbon brush 6,2 x 16
12	5050071	Clutch compl.
13	5011601	Carbon brush holder compl.
14	5011611	Field coil 220-240V
14A	5012551	Field coil 110V
15	5050051	Motor housing
16	5011091	Air conducting ring
17	5050081	Shield plate
18	5050091	Transmission seal
19	5010351	Needle bearing HK 0810
20	5011791	Gear wheel assembly 2
21	5050101	Intermedium shaft 1
22	5011151	Circlip ring 24 / 1,2
23	5011161	Spring 6 x 6 x 20
24	5011811	Spindle wheel
25	5011181	Washer 25 / 35 x 0,1
26	5011191	Ball bearing 6005 2RS
27	5050111	Shaft seal WASY 30 x 42 x 7
28	5050121	Gearbox housing
29	5011221	Spindle
30	5012331	Ball bearing 6006 2RS
31	5011241	Circlip ring 55/2

Pos. #	Part #	Description
32	5011251	Washer for ball bearing 6006 2Z
33	5011261	Needle bearing RNA 4900
34	5011271	Washer for needle bearing RNA 4900
35	5011281	Gear wheel assembly 1
36	5010501	Spring A5 x 5 x 28
37	5011841	Intermedium gear wheel 2
38	5011011	Ball bearing 6000
39	5011851	Intermedium shaft 3
40	5050131	Clutch 2
41	5050201	Washer 12x0,5
42	5011881	Spring A6 x 6 x 40
43	5011391	Spacer
44	5050161	Clutch 1
45	5014541	Gear change
46	5050171	Clutch wheel
47	5014551	Circlip ring SB42
48	5011331	Cup spring 28/12,2 x 1
49	5011351	Half of clutch
50	5014601	O-ring 36 x 1,5
51	5010271	Circlip ring 28 / 1,2
52	5012501	Ball bearing 6001 2RS
53	5050181	Circlip ring SW 11
54	5011661	Housing for potentiometer
55	5011671	Cover for housing for potentiometer
56	5011401	Potentiometer for speed control 100 kOhm 2V
57	5011681	Potentiometer for power control 1 kOhm 7V
58	5011701	Adjustment wheel red for power control 7V
59	5010861	Adjustment wheel blue for speed control 2V
60	5050191	Pin 5 x 12

PLEASE SPECIFY TOOL MODEL # WHEN ORDERING PARTS

PARTS BREAKDOWN	Model #: MAB 845	Bulletin #: 09-2011
PARTS LISTING	Description: Portable Magnetic Drill	Prepared By: SCW
WIRING DIAGRAM	Date: 11/30/2011	

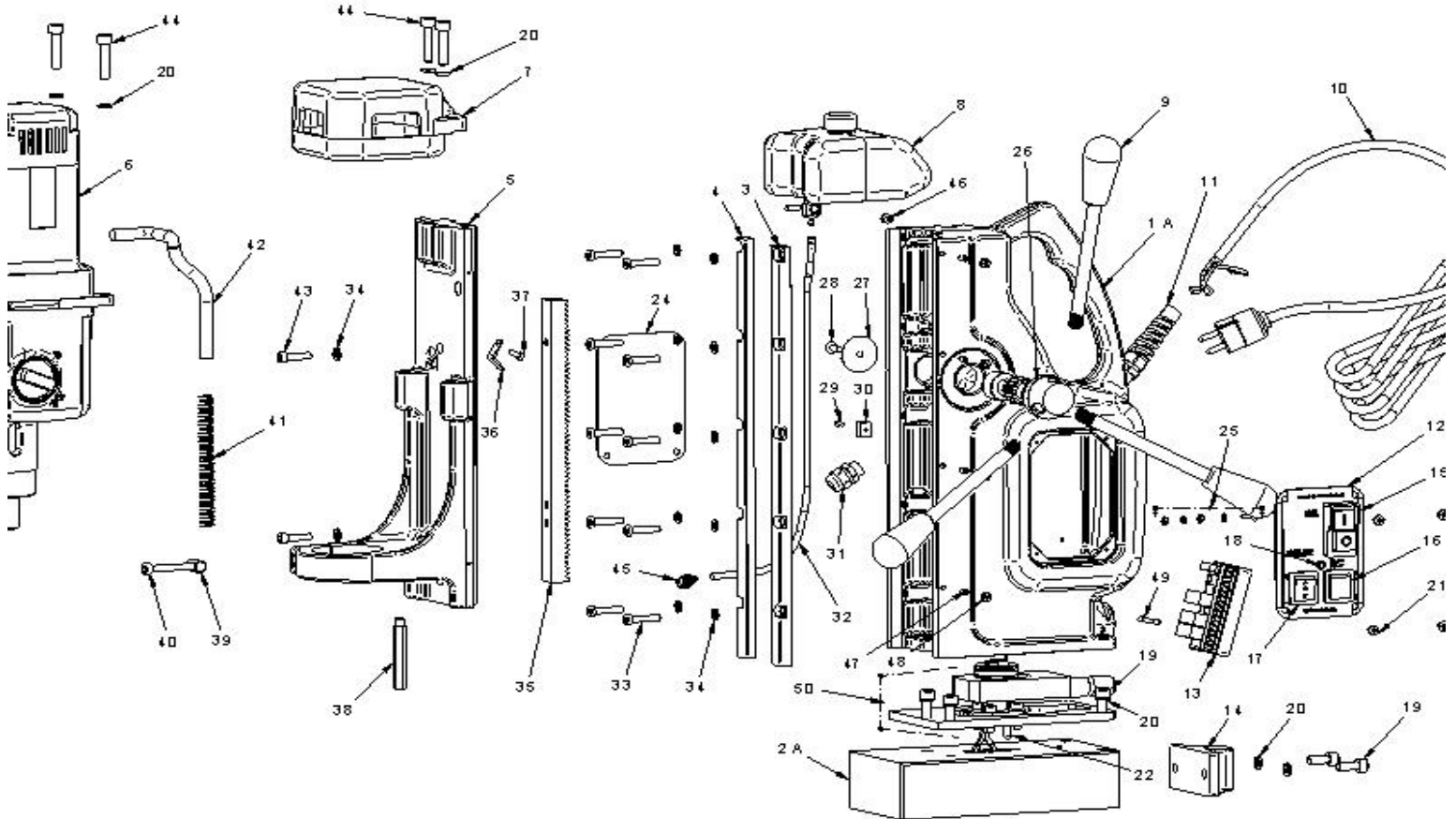
MAB 845 MOTOR PARTS LIST - *continued*

Pos. #	Part #	Description
61	5011971	Screw M6 x 45
62	5011981	Housing for potentiometer compl. 230V
62A	6011981	Housing for potentiometer compl. 110V
63	5050201	Washer 12 x 0,5
64	5011411	Circlip ring 9
65	5014561	Pressure piece
66	5014531	Screw M4 x 16
67	5014581	Sleeve
68	5050221	Sealing sleeve
69	5013601	Shaft seal KEIV 15 x 21 x 3

PLEASE SPECIFY TOOL MODEL # WHEN ORDERING PARTS

PARTS BREAKDOWN	Model #: MAB 845	Bulletin #: 09-2011
PARTS LISTING	Description: Portable Magnetic Drill	Prepared By: SCW
WIRING DIAGRAM	Date: 11/30/2011	

MAB 845 STAND BREAKDOWN



PLEASE SPECIFY TOOL MODEL # WHEN ORDERING PARTS

PARTS BREAKDOWN	Model #: MAB 845	Bulletin #: 09-2011
PARTS LISTING	Description: Portable Magnetic Drill	Prepared By: SCW
WIRING DIAGRAM	Date: 11/30/2011	

MAB 845 STAND PARTS LIST

Pos. #	Part #	Description
1	6050011	Housing M8
1 A	6050021	Housing with swivel base M8
2	6050031	Magnet (electric) with indicator M8
2 A	6050041	"Magnet (electric) with indicator for swivel base M8"
3	6050051	Guide rail left
4	6050061	Guide rail right
5	6050001	Slide with holder for gearbox
6	5050001	Motor MAB 825/845 220-240V compl.
6 A	5050011	Motor MAB 825/845 110V compl.
7	6050071	Cover for motor black
8	6050081	Coolant reservoir compl.
9	6010542	Handle rod with knob
10	7010042	Connection cable 220-240V with plug
10 A	7010052	Connection cable 220-240V with GB-plug
10 B	7010051	Connection cable 110V (plug on demand)
11	7010031	Mains cable gland PG 11
12	7011471	Switch plate front side MAB 825
12 A	7011551	Switch plate front side
13	6012151	PC board with 3 relais 230V
13 A	6012161	PC board with 3 relais 110V
14	6010581	Magnet release assembly
15	7010802	Actuator Tripus 220V
15 A	7010931	Actuator 110V
16	7010142	Magnet switch IP 65
17	7010481	Rocker switch right/left
18	7010101	LED-display for indicator red/green
19	6050091	Screw M8 x 20
20	6010571	Spring washer 8,3

Pos. #	Part #	Description
20	6010571	Spring washer 8,3
21	7010081	Screw M4 x 6
22	6010061	Indicator for magnet
23	6050101	Screw M8 x 30
24	7011461	Side plate MAB 825
24 A	7011561	Side plate MAB 845
25	7010061	Earthing compl.
26	6050111	Shaft for gear wheel
27	6010221	Washer for gear wheel
28	6010231	Screw for gear wheel M6 x 16
29	6050121	Screw for coolant tube M3 x 10
30	6050131	Fixing device for coolant tube
31	7050011	Cable gland PG 11
32	7050031	Coolant tube
33	6050141	Screw M6 x 25
34	6050151	Washer 6,4 x 11 x 1,6
35	6050161	Rack
36	6050171	Fixing device for cable
37	6050181	Screw for fixing device for cable M3 x 8
38	6050191	Stop pin L=60
39	6050201	Thread bolt
40	6050211	Screw M6 x 55
40	6050211	Screw M6 x 55
41	7050021	Spring for motor cable
42	6050221	Motor cable
43	6050231	Screw M6 x 30
44	6050241	Screw M8 x 35
45	ZSS 200K	Quick coupling for coolant reservoir
46	6012121	Sphere for coolant reservoir
47	6010041	Set screw M5 x 16
48	6010031	Nut M5
49	7010131	Fuse 2A, 5x20
50	6050251	Swivel base compl.

PLEASE SPECIFY TOOL MODEL # WHEN ORDERING PARTS

PARTS BREAKDOWN	Model #: MAB 845	Bulletin #: 09-2011
PARTS LISTING	Description: Portable Magnetic Drill	Prepared By: SCW
WIRING DIAGRAM	Date: 11/30/2011	

MAB 845 WIRING DIAGRAM

