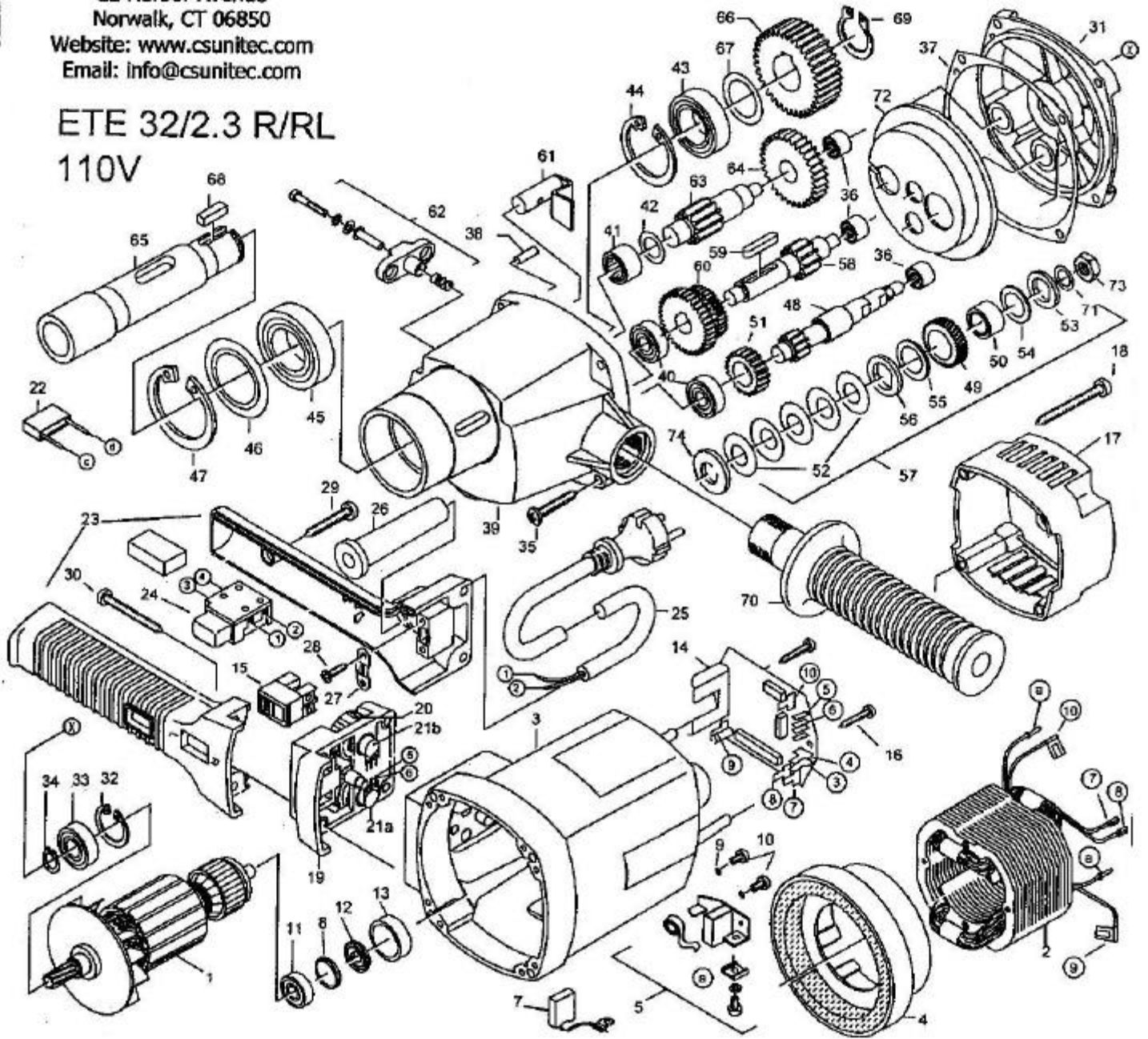


CS UNITEC, INC.

22 Harbor Avenue
Norwalk, CT 06850

Website: www.csunitec.com
Email: info@csunitec.com

ETE 32/2.3 R/RL
110V



Not responsible for typographical errors.

POS. NO.	ITEM NO.	DESCRIPTION	
21a	80500020	Speed Dial 220 VOLT	
21b	80500007	Torque Dial	
42 + 74	71540517	Disk of Needle Bearing	
1	74321100	Rotor, Complete	
2	71528150	Stator, Complete	
3	7742A200	Motor Housing	
4	71540140	Air Guiding Ring	
5	80201199	Carbon Brush Holder	
7	80700021	Carbon Brushes	
8	73320999	Disk	
9	80201385	Spring Disk 34	
10	80201180	Screw CM4x12	
11	80410021	Ball Bearing	See 100 579
12	80701002	Magnet Ring	
13	73320315	Bearing Seal	
14	74329280	Circuit Board - ETE 32/2.3	110 Volt
15	80600110	Reverser	
16	80201260	Self Tapping Screw	
17	7742A240	Motor Cap	
18	80201267	Screw	Replaces 050.0112
19	7152B293	Spacer	
20	71521230	Selector Wheel	
22	80500010	Condensor-SEE #80500014	
23	71527260	Side Handle	
24	80600114	Switch	
25	80600060	Connection Cable	
26	71323255	Cable Sleeve	
27	71540330	Locking Flange	
28	80201271	Screw 4.2x16	
29	80201291	Screw	
30	80201294	Self Tapping Screw	
31	7152B610	End Shield	
32	80201333	Safety Ring 28/1.2	Replaces 050.0166
33	80410031	Bearing	Replaces 032.0171
34	80201320	Safety Ring	Replaces 050.0176
35	80201292	Screw 4.2x16	
36	80420110	Needle Sleeve	Replaces 050.0161
37	74429620	Paper Seal	
38	80200580	Notched Pin 5x16	
39	71521400	Gearbox Housing	
40	80410020	Bearing	
41	80420001	Needle Bearing	
43	80410061	Ball Bearing	See 223 158
44	80201336	Locking Ring	

CS Unitec, Inc.

22 Harbor Ave, Norwalk, CT 06850

Telephone: 203-853-9522 Toll Free: 800-700-5919 Fax: 203-853-9921

WebSite: www.csunitec.com E-Mail: info@csunitec.com

Not responsible for typographical errors.

POS. NO.	ITEM NO.	DESCRIPTION	
45	80410070	Grooved Ball Bearing	
46	71540426	Disk F. Grooved Ball Bearing	
47	80201338	Locking Ring	
48	71526490	Intermediate Shaft 1	
49	7154E550	Coupling Wheel	
50	80420240	Gear Sleeve	
51	71521470	Intermediate Wheel 1	
52	80200716	Spring Washer	
53	73116496	Washer	
54	73116497	Washer	
55	73430498	Clutch Washer	
56	73430499	C-Clip	
57	71526493	Coupling, Complete	
58	71526500	Intermediate Shaft 2	
59	80200602	Fitting Spring, hardened	Replaces 050.0301
60	71521440	Cluster Gears	
61	71521520	Coupling Bolt	
62	71540545	Gear Switch	Replaces 040.0286
63	71521510	Intermediate Shaft 3	
64	71526480	Intermediate Wheel 2	
65	71540420	Work Spindle	
66	71540430	Spindle Wheel	
67	80200512	Fitting Disk	
68	80200606	Fitting Spring	
69	80201326	Locking Ring	
70	71526590	Tube Handle, Complete	
71	80200710	Disk Spring	
72	7152B625	Grease Chamber	
73	80201007	Nut, Hexagon 8m10 x 1	

CS Unitec, Inc.

22 Harbor Ave, Norwalk, CT 06850

Telephone: 203-853-9522 Toll Free: 800-700-5919 Fax: 203-853-9921

WebSite: www.csunitec.com E-Mail: info@csunitec.com