

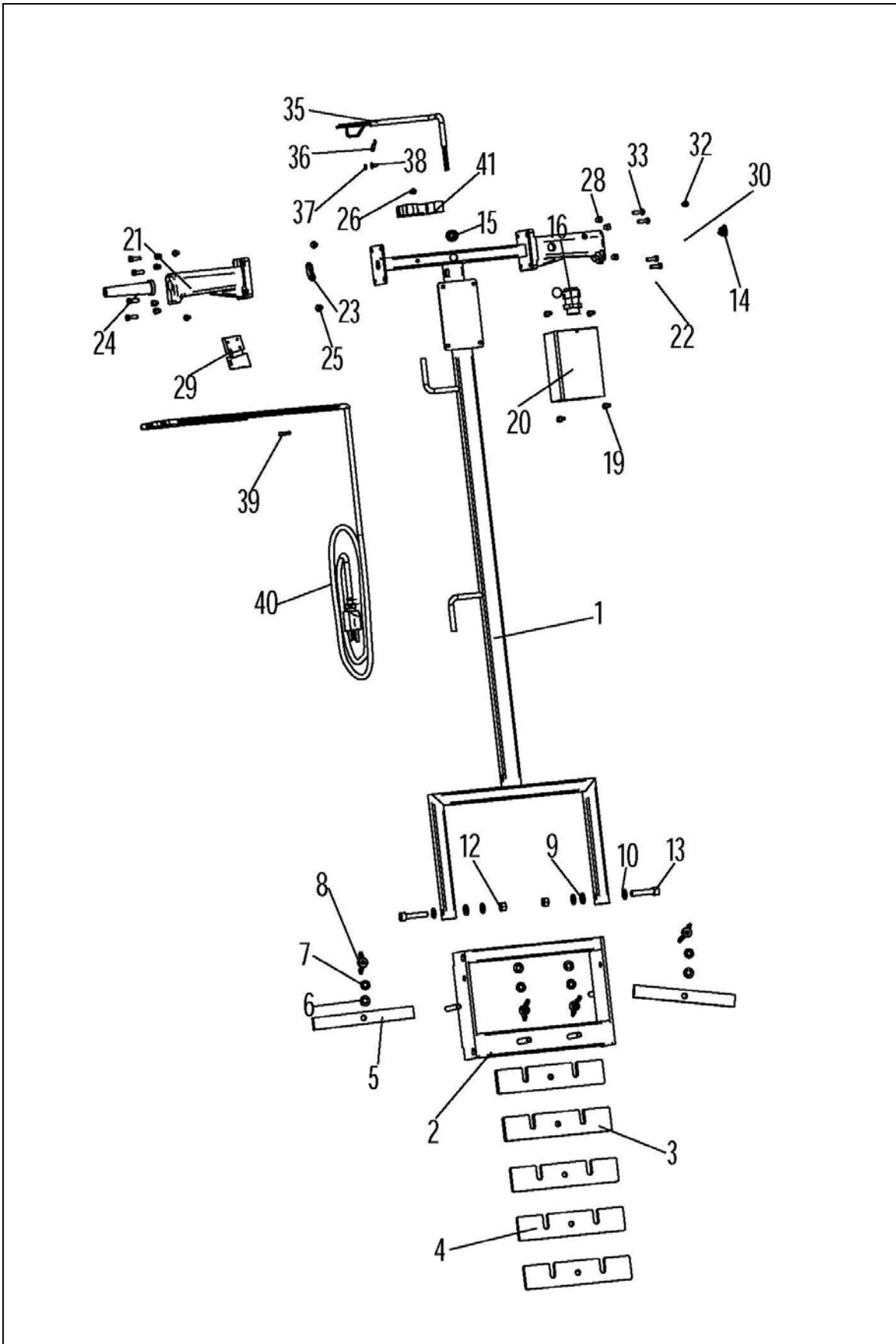
**CS UNITEC, INC.**

22 Harbor Avenue  
Norwalk, CT 06850

Website: [www.csunitec.com](http://www.csunitec.com)

Email: [info@csunitec.com](mailto:info@csunitec.com)

**37210 Walk Behind Cart for EBS 125**



*Not responsible for typographical errors.*

<b><u>POS. NO.</u></b>	<b><u>ITEM NO.</u></b>	<b><u>DESCRIPTION</u></b>
21 + 30	80900097	Pair of Handle Halfs
27 + 33	80201108	Cheese Head Screw
36 + 39	80601105	O-Ring
6 + 10	80201377	Washer
1	TEIL 16	Rack, Upper
2	TEIL 2	Rack, Lower
3	TEIL 5	Weight
4	TEIL 4	Weight
5	TEIL 6	Stabilizer Base
7	80201309	Lock Washer
8	80201246	Wing Nut
9	80201383	Washer
12	80201221	Hexagon Nut
13	80201161	Cheese Head Screw
14	80900202	Cap
15	83000150	Execution Rubber
16	80600167	Cable Gland
19	80201433	Screw
20	80600450	Installation Outlet
22	80900201	Hole Stopper
23	85000020	Clip
24	83000004	Cable Sleeve
25	80201270	Screw
26	80201121	Screw
28	80201008	Acorn Nut
29	80600128	Switch
32	80201271	Screw 4.2x16
35	80600070	Connecting Cable
37	80200752	Washer
38	80201100	Screw
40	80600059	Connecting Cable
41	83000156	Hose Clamp

CS Unitec, Inc.

22 Harbor Ave, Norwalk, CT 06850

Telephone: 203-853-9522 Toll Free: 800-700-5919 Fax: 203-853-9921

WebSite: [www.csunitec.com](http://www.csunitec.com) E-Mail: [info@csunitec.com](mailto:info@csunitec.com)