

CS UNITEC, INC.

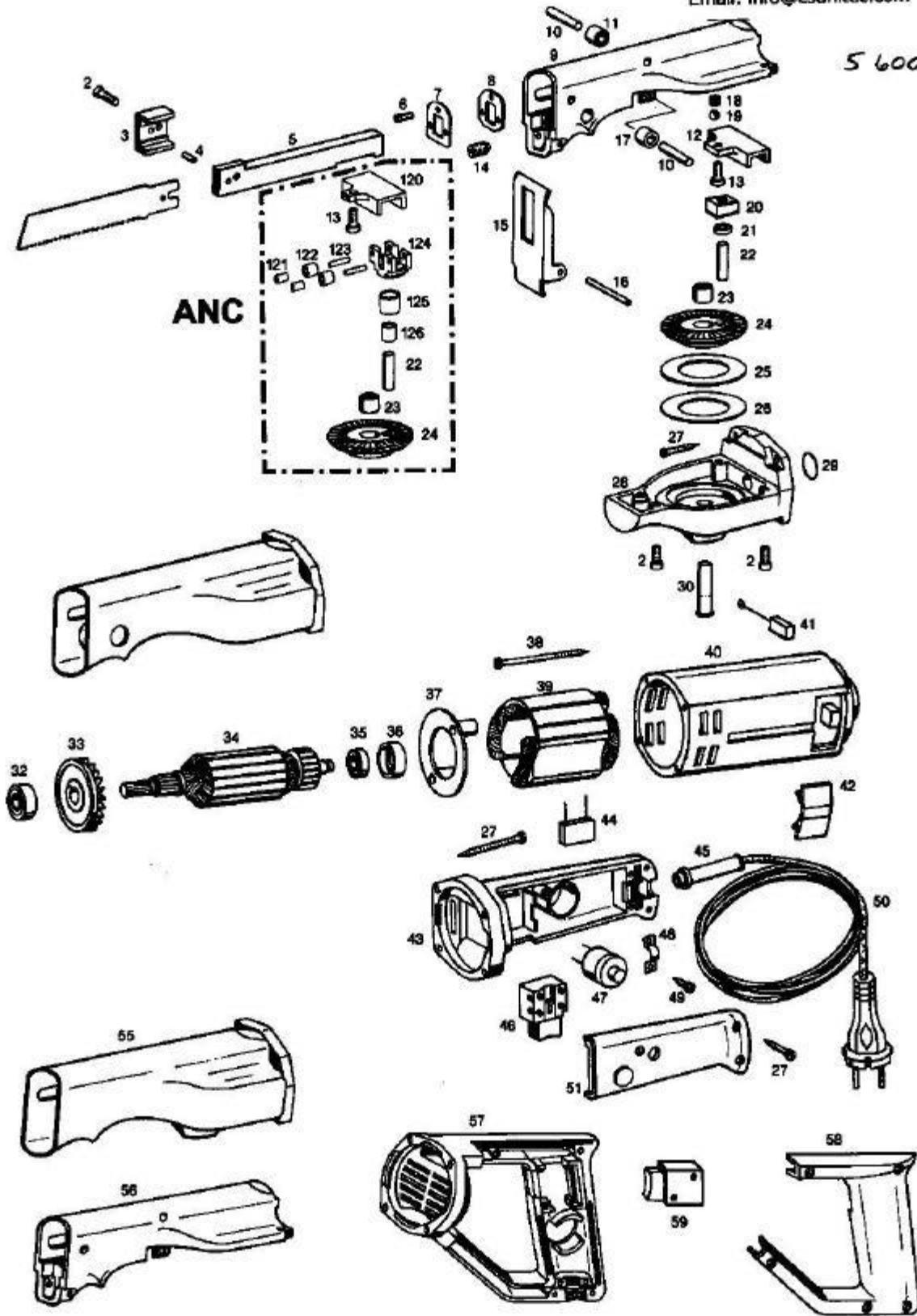
22 Harbor Avenue

Norwalk, CT 06850

Website: www.csunitec.com

Email: info@csunitec.com

560020000



Not responsible for typographical errors.

<u>POS. NO.</u>	<u>ITEM NO.</u>	<u>DESCRIPTION</u>	
	5 1216 7920	Thrust Piece Complete	REPLACES-512167060& 9163C
	562105	Lift Road	
121 + 122 + 123	5 1216 4970	Needle Bearing Assy.	with Items 121-123
28 + 30	5 1216 4920	Gearbox Casing 1 Complete	
1	5 1216 9010	Protecting Cover	
2	9 1110 3120	Screw	4-30-35-093-05-2
3	5 1216 7060	PART OF 5 1216 7920	
4	9 1630 0360	Spiral Pin	
5	5 1216 4950	Connecting Rod Assy.	Consisting of Item 4 & 5
6	9 1110 1040	Fillister Head Screw	
7	5 1216 4310	Cover	
8	5 1216 4320	Seal	
9	5 1216 4010	Gear Housing 2	
10	9 1631 0150	Straight Pin	
11	9 1013 0450	Needle Bearing	
13	9 1110 3080	Fillister Head Screw	
14	9 1810 0080	Strong Pressure Piece	
15	5 1216 7070	Supporting Shoe	
16	9 1630 0870	Spiral Pin	
17	5 1216 4180	Sliding Roller	
18	9 1803 4360	Pressure Spring	
22	9 1637 2220	Straight Pin	
23	9 1014 0230	Needle Bushing	
24	5 1216 4930	Bevel Gear Complete	with Items 22+23
25	9 1024 0400	Axial Needle Bearing	
26	9 1024 0410	Axial Disk	
27	9 1110 3100	Screw	
29	9 1921 1430	O-Ring	
32	057004	Grooved Ball Bearing	
33	535007	Ventilator	
34	565005	Rotor with Ventilator	item 33 & 34
35	057061	Grooved Ball Bearing	
36	570504	Insulating Ring	
37	535008	Ventilator Cover	
38	083087	Screw, Sheet Metal	
39	565004	Stator	
40	565025	Housing Complete	
41	535021	Carbon Brushes, Pair	
42	565003	Cover	
43	535027	Handle	
44	027006	Capacitor	
45	032057	Rubber Sleeve	

CS Unitec, Inc.

22 Harbor Ave, Norwalk, CT 06850

Telephone: 203-853-9522 Toll Free: 800-700-5919 Fax: 203-853-9921

WebSite: www.csunitec.com E-Mail: info@csunitec.com

Not responsible for typographical errors.

<u>POS. NO.</u>	<u>ITEM NO.</u>	<u>DESCRIPTION</u>
46	023085	Switch
47	025079	Protection Switch
48	163130	Strap
49	083063	Screw, Sheet Metal
50	535037	Connecting Cable
51	535028	Handle Cover
120	5 1216 4370	Roller Guide
124	5 1216 4410	Roller Holder
125	5 1216 4480	Outer Ring
126	9 1014 0120	Needle Bushing

CS Unitec, Inc.

22 Harbor Ave, Norwalk, CT 06850

Telephone: 203-853-9522 Toll Free: 800-700-5919 Fax: 203-853-9921

WebSite: www.csunitec.com E-Mail: info@csunitec.com