

CS UNITEC, INC.
 22 Harbor Avenue
 Norwalk, CT 06850
 Toll Free: 800-700-5919
 Fax: 203-853-9921

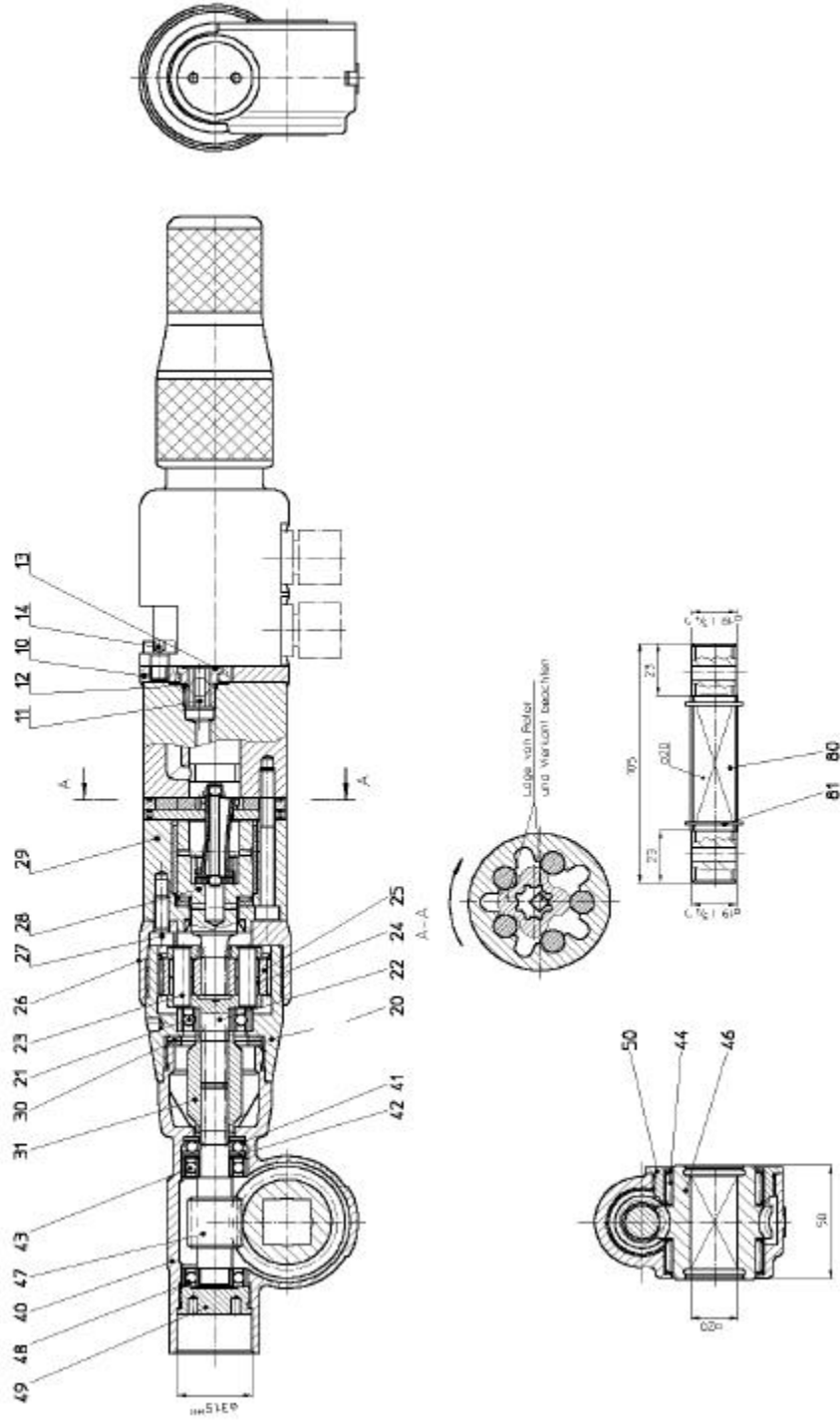
SPARE PARTS LIST

DESCRIPTION
Hydraulic Nut Runner

TYPE:
3 6242 0010

Page 2/2

Date: 01/03



Not responsible for typographical errors.

<u>POS. NO.</u>	<u>ITEM NO.</u>	<u>DESCRIPTION</u>	
	2 1317 9010	Hose set w/Quick Couplers	
	5 1220 3600	Valve	
	9 2124 0240	Thread Joint	
10	5 1220 3070	Adaptor Plate	
11	5 1220 3100	Nipple	
12	9 1901 3410	O Ring	
13	9 1921 2140	O-Ring, 33X2	
14	9 1112 5130	Fillister Head Screw	
20	3 6242 4020	Gearbox Housing	
21	9 1004 0020	Bearing	SEE # 107 832
22	3 6339 4030	Planet Carrier	
23	3 6339 4050	Planetary Wheel Bolt	
24	9 1015 0390	Needle Cage	
25	3 6339 4040	Planet Pinion	
26	3 6242 4510	Intermediate Housing	
27	9 1110 4020	Fillister Head Screw	
28	3 6242 1030	Drive Shaft	
29	9 5501 0170	Hydraulic Motor w/Housing	
30	9 3331 0530	Shim	
30	9 3331 0540	Shim	
30	9 3331 0550	Fitting Washer	
30	9 3331 0590	Shim	
31	3 6339 4110	Coupling	
40	3 6339 4220	Gearbox	
41	9 1021 0020	Bearing	
42	9 3326 1220	Ring	
43	9 1003 0020	Bearing	4-17-01-007-05-0
44	9 1014 0200	Bearing	
46	3 6339 4130	Worm wheel	
47	3 6339 4120	Worm Wheel	
49	3 6339 4190	Ring	
50	3 6339 4160	Cover	
80	6 1015 7030	Male Square Drive 3/4"	
81	9 1702 0320	Snap Ring	

CS Unitec, Inc.

22 Harbor Ave, Norwalk, CT 06850

Telephone: 203-853-9522 Toll Free: 800-700-5919 Fax: 203-853-9921

WebSite: www.csunitec.com E-Mail: info@csunitec.com