

CS UNITEC, INC.
 22 Harbor Avenue
 Norwalk, CT 06850
 Toll Free: 800-700-5919
 Fax: 203-853-9921

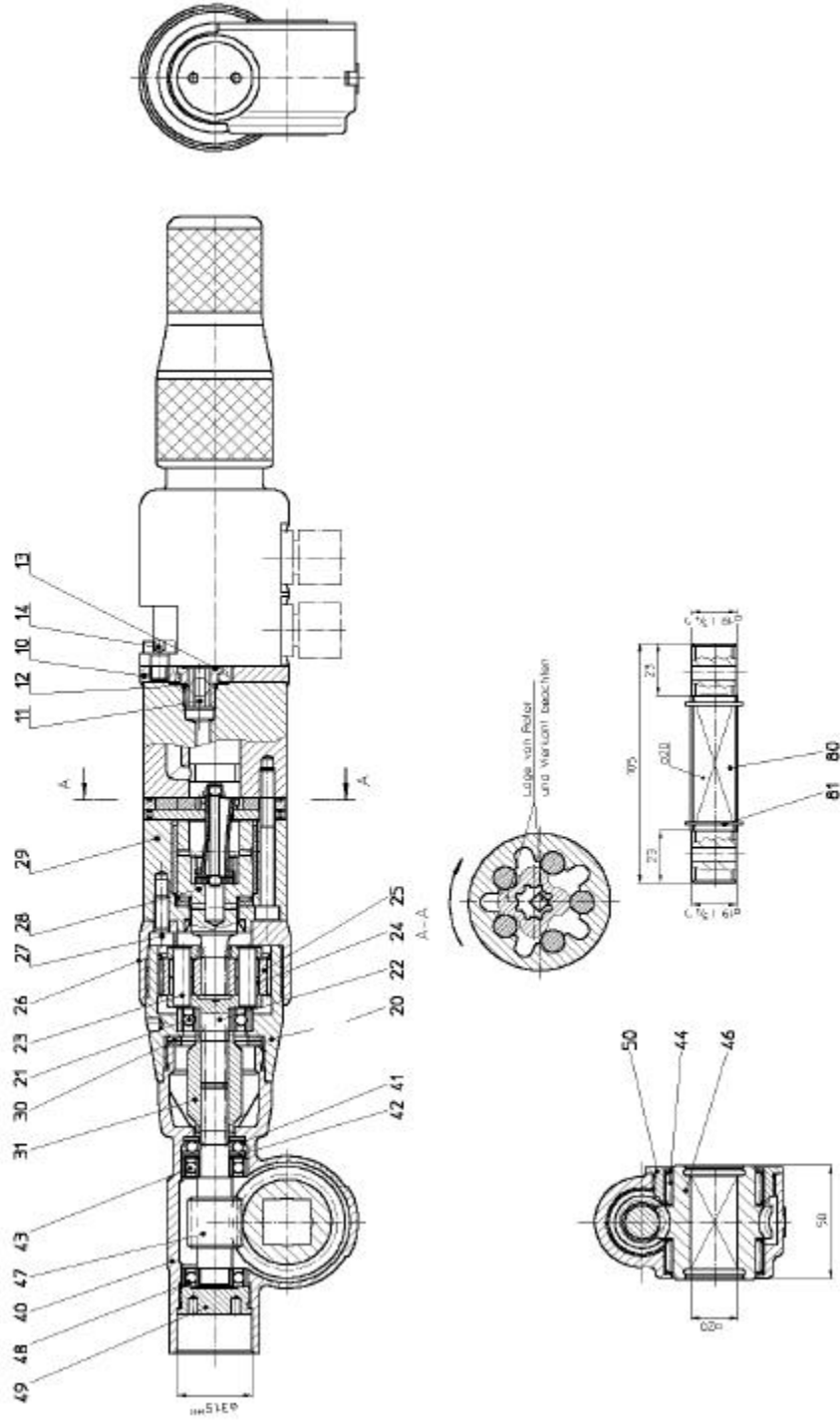
SPARE PARTS LIST

DESCRIPTION
Hydraulic Nut Runner

TYPE:
3 6242 0010

Page 2/2

Date: 01/03



Not responsible for typographical errors.

| POS. NO. | ITEM NO. | DESCRIPTION | |
|-----------------|-----------------|---------------------------|------------------|
| | 2 1317 9010 | Hose set w/Quick Couplers | |
| | 5 1220 3600 | Valve | |
| | 9 2124 0240 | Thread Joint | |
| 10 | 5 1220 3070 | Adaptor Plate | |
| 11 | 5 1220 3100 | Nipple | |
| 12 | 9 1901 3410 | O Ring | |
| 13 | 9 1921 2140 | O-Ring, 33X2 | |
| 14 | 9 1112 5130 | Fillister Head Screw | |
| 20 | 3 6242 4020 | Gearbox Housing | |
| 21 | 9 1004 0020 | Bearing | SEE # 107 832 |
| 22 | 3 6339 4030 | Planet Carrier | |
| 23 | 3 6339 4050 | Planetary Wheel Bolt | |
| 24 | 9 1015 0390 | Needle Cage | |
| 25 | 3 6339 4040 | Planet Pinion | |
| 26 | 3 6242 4510 | Intermediate Housing | |
| 27 | 9 1110 4020 | Fillister Head Screw | |
| 28 | 3 6242 1030 | Drive Shaft | |
| 29 | 9 5501 0170 | Hydraulic Motor w/Housing | |
| 30 | 9 3331 0530 | Shim | |
| 30 | 9 3331 0540 | Shim | |
| 30 | 9 3331 0550 | Fitting Washer | |
| 30 | 9 3331 0590 | Shim | |
| 31 | 3 6339 4110 | Coupling | |
| 40 | 3 6339 4220 | Gearbox | |
| 41 | 9 1021 0020 | Bearing | |
| 42 | 9 3326 1220 | Ring | |
| 43 | 9 1003 0020 | Bearing | 4-17-01-007-05-0 |
| 44 | 9 1014 0200 | Bearing | |
| 46 | 3 6339 4130 | Worm wheel | |
| 47 | 3 6339 4120 | Worm Wheel | |
| 49 | 3 6339 4190 | Ring | |
| 50 | 3 6339 4160 | Cover | |
| 80 | 3 6339 4910 | 1/2 Male Square Drive | |
| 81 | 9 1702 0320 | Snap Ring | |

CS Unitec, Inc.

22 Harbor Ave, Norwalk, CT 06850

Telephone: 203-853-9522 Toll Free: 800-700-5919 Fax: 203-853-9921

WebSite: www.csunitec.com E-Mail: info@csunitec.com