

CS UNITEC, INC.

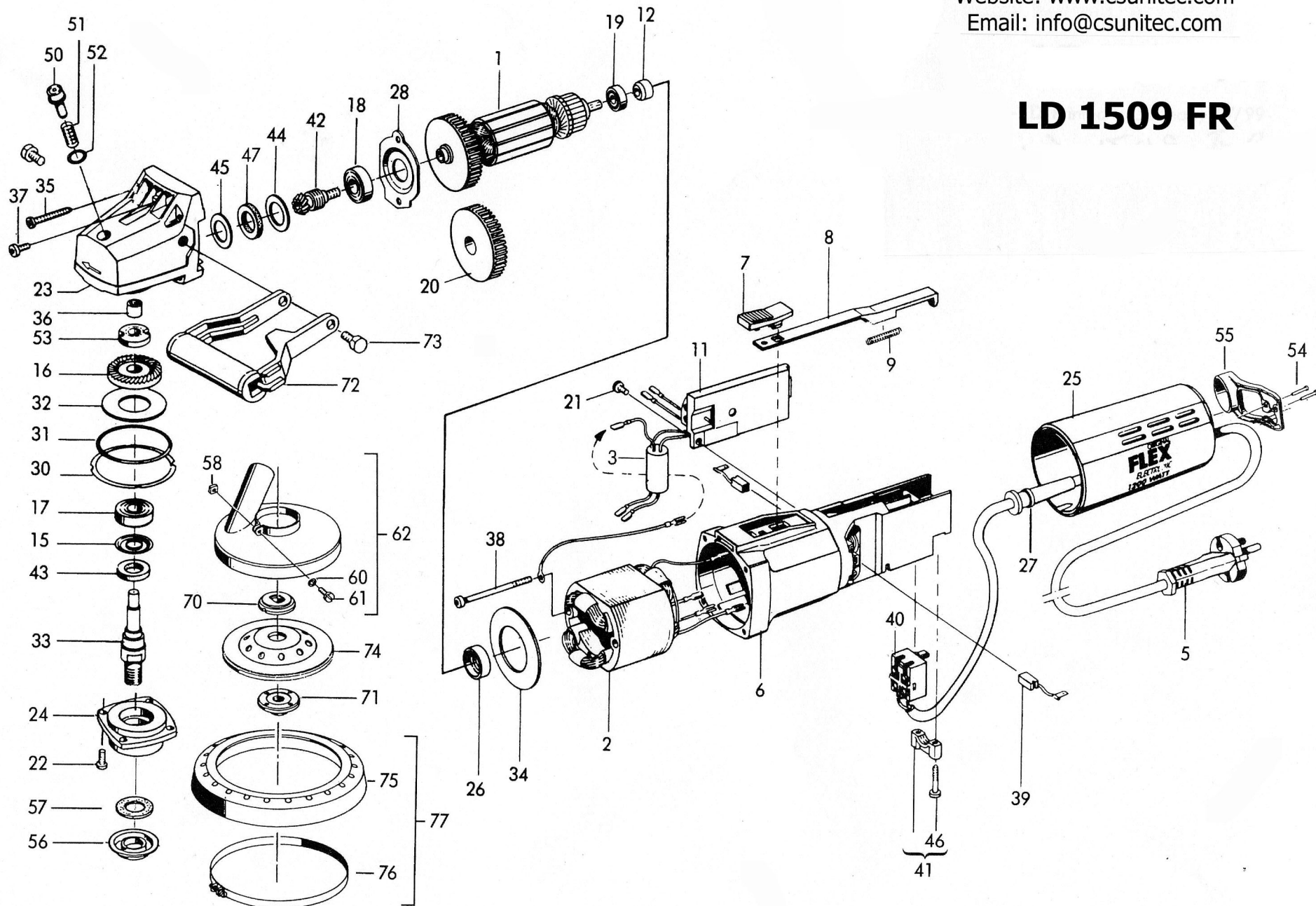
22 Harbor Avenue

Norwalk, CT 06850

Website: www.csunitec.com

Email: info@csunitec.com

LD 1509 FR



Not responsible for typographical errors.

<u>POS. NO.</u>	<u>ITEM NO.</u>	<u>DESCRIPTION</u>	
	102 229	Allen wrench, 4mm	
	104 221	Nut	
	107 492	Spanner Wrench	
	177 644	Fan	
	252 188	Clip	
	255 691	Grease	
	257 354	Bearing Cover	
1	256 870	Armature for LD 1509 FR	
2	272 043	Magnetic Field for LD 1509 FR	
5	203 521	Cable with Plug, 110 VOLT	
6	254 379	Motor Case	SEE # 225 320 FOR STOCK
7	211 451	Control Lever	
8	225 304	Control Rod	
11	271 969	Electronic for LD 1509 FR	
12	219 983	Magnetic Ring	
15	100 277	Sealing Ring	See P/N 108 111
16	250 606	Bevel Gear	
17	214 884	Ball Bearing	SEE #'S 9 1003 0020 OR 114 14
18	254 442	Bearing	SEE # 100 579
19	254 443	Bearing	SEE # 100 587
21	195 715	Screw	
22	149 136	Screw	
23	258 142	Gearhouse with Spindle Lock	REPLACES 253 490
24	254 218	Gear Cap	
25	241 288	Cover	
27	215 848	Rubber Sleeve	
28	257 750	Plate	
30	257 571	Spacer	
31	159 204	Sealing Ring	
32	159 212	Spring Washer	
34	159 247	Air Guide	
35	195 693	Screw	
36	189 251	Slide Bearing	SEE # 159 271
37	258 573	Screw	
39	250 816	see 218 073 Carbon Brush	
40	258 757	Switch	
41	215 074	Cable Clamp	replaces 208.949
42	201 111	Pinion	
43	160 512	Seal Ring	
44	160 520	Washer	
45	160 539	Washer	
46	213 373	Screw	
50	250 265	Lock Button	

CS Unitec, Inc.

22 Harbor Ave. Norwalk, CT 06850

Telephone: 203-853-9522 Toll Free: 800-700-5919 Fax: 203-853-9921

WebSite: www.csunitec.com E-Mail: Info@csunitec.com

Not responsible for typographical errors.

POS. NO.	ITEM NO.	DESCRIPTION	
51	250 589	Compression Spring	
52	250 266	Sealing Ring	
53	250 597	Locking Disc	
54	206 245	Phillips Head Screw	
55	252 050	Hose Clamp	
57	254 057	Washer	
60	105 880	Sec. Washer	
62	254 213	Guard, 5" w/ vacuum port	OLD # 252 717
70	132 322	Lower Flange	
71	132 330	Clamp Flange	
72	236 934	Handle	
73	244 155	Bolt	SEE # 9 1107 5110
75	257 247	Collar	
76	257 250	Ring Clamp	
77	257 246	Clamp Collar Kit	

CS Unitec, Inc.

22 Harbor Ave. Norwalk, CT 06850

Telephone: 203-853-9522 Toll Free: 800-700-5919 Fax: 203-853-9921

WebSite: www.csunitec.com E-Mail: Info@csunitec.com