

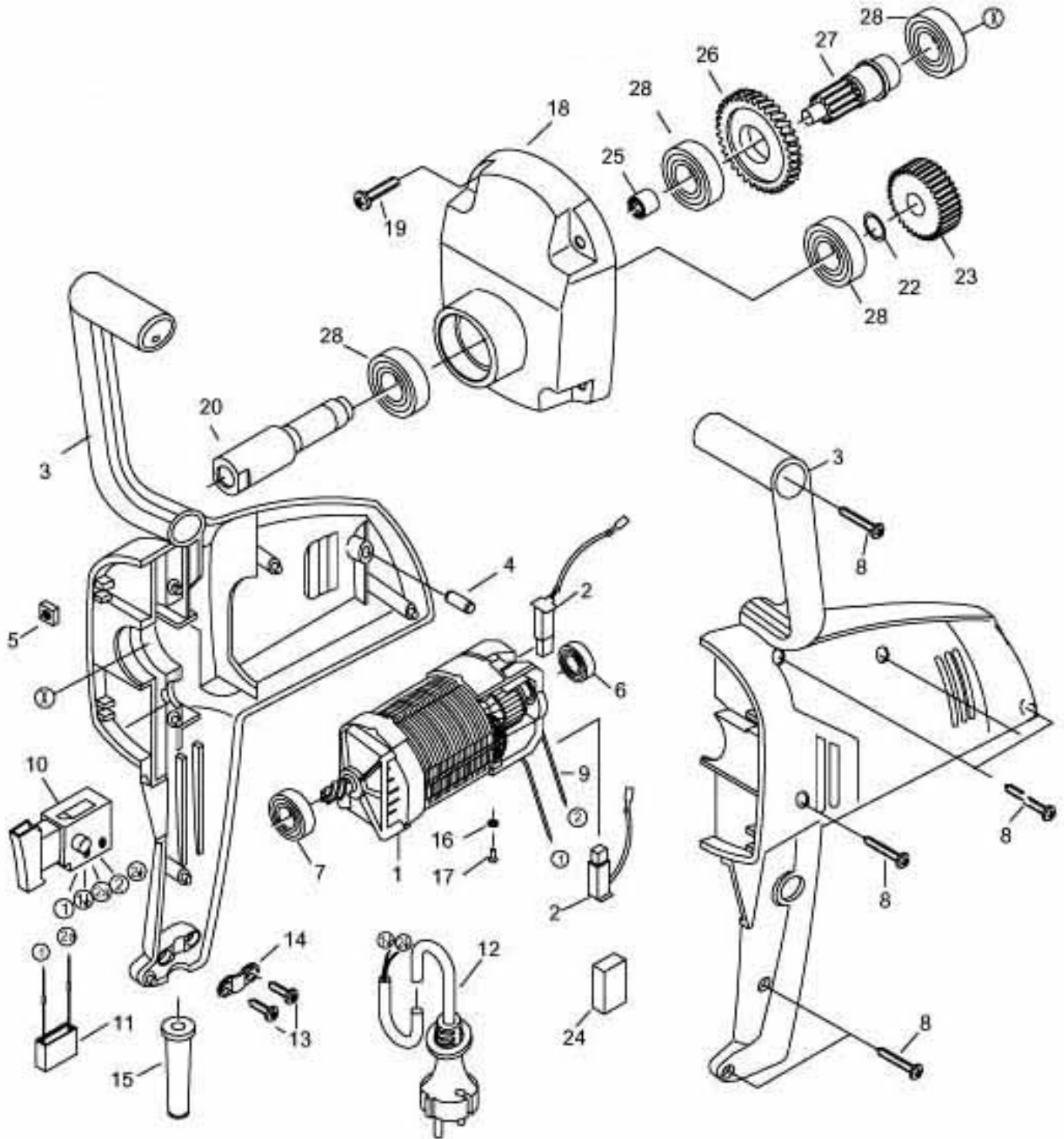
CS UNITEC, INC.

22 Harbor Avenue
Norwalk, CT 06850

Website: www.csunitec.com

Email: info@csunitec.com

Model EHR 14.1 S - MIXER



Not responsible for typographical errors.

<u>POS. NO.</u>	<u>ITEM NO.</u>	<u>DESCRIPTION</u>	
1	7701C100	Motor Complete	
2	80700032	Carbon Brush	
3	80900163	Motor Housing	
4	80901055	Rubber Stop	
5	80201031	Square Nut	
6	80410018	Grooved Ball Bearing	
7	80410011	Bearing	Replaces 032.0221
8	80201229	Tapping Screw	
9	80600077	Wire	
10	80600135	Switch for Mixer	REPLACES # 80600122
11	77018305	Condensor	
12	80600060	Connection Cable	
13	80201269	Screw	
14	85000020	Clip	
15	83000004	Cable Sleeve	
16	80201371	Washer	
17	80201252	Screw, Self Tapping	
18	77018400	Gear Case	
19	80201204	Screw	
20	77011420	Spindel	
22	80200504	Fitting Washer	Replaces 050.0181
23	77018430	Spindel Wheel	
24	73320210	Contact Washer	
25	80420110	Needle Sleeve	Replaces 050.0161
26	7701C471	Idler Gear	
27	77011500	Pinion	
28	80410043	Bearing 6003	

CS Unitec, Inc.

22 Harbor Ave, Norwalk, CT 06850

Telephone: 203-853-9522 Toll Free: 800-700-5919 Fax: 203-853-9921

WebSite: www.csunitec.com E-Mail: info@csunitec.co