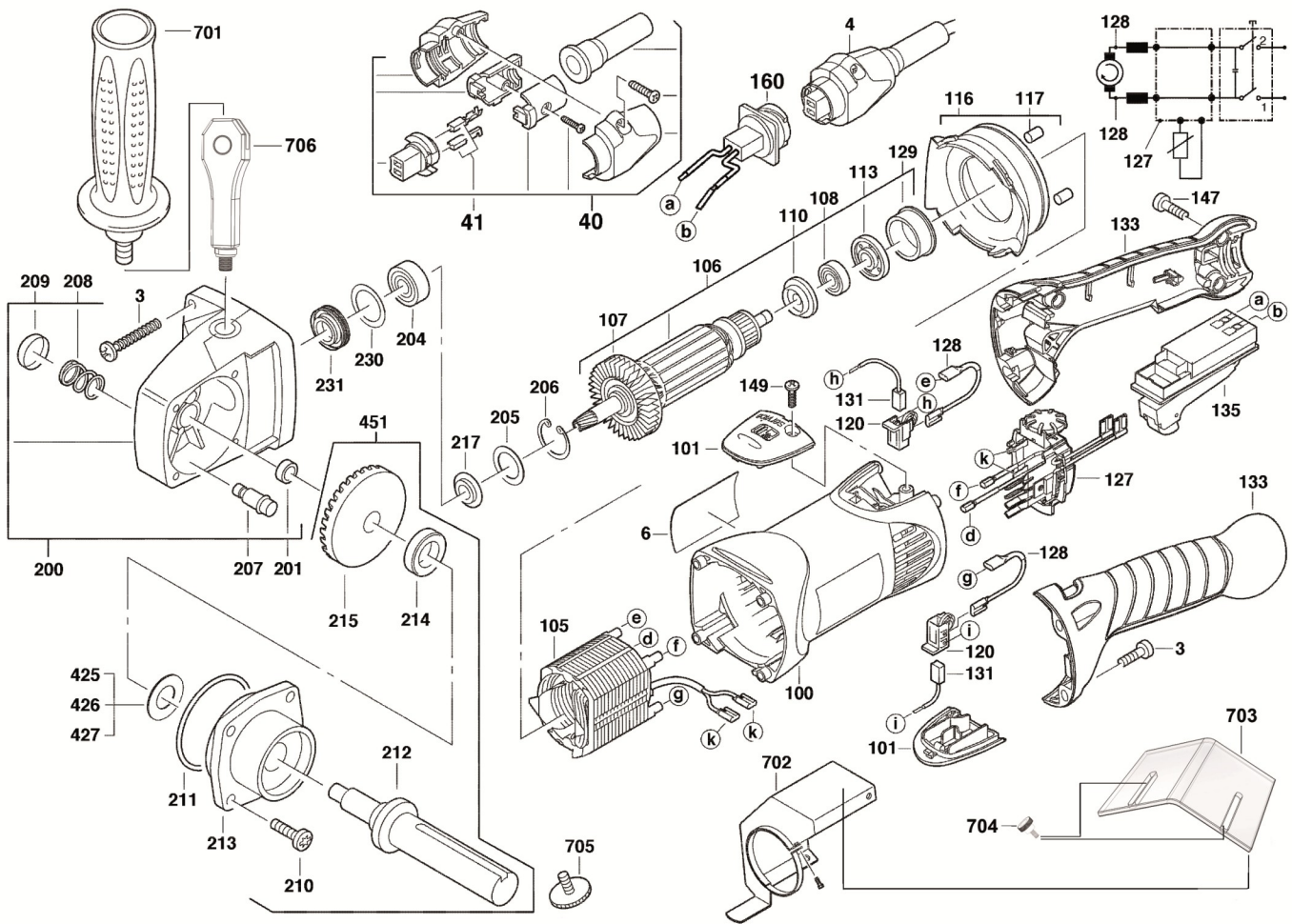


POLY-PTX Eco Smart

Model 1800 - 1710 Watt/15 Amp/110 V



Model 120 V

Pos.	Item-No.	Designation	Pos.	Item-No.	Designation
3	52003-3	Screw	200	52265	Gear box with threaded insert
4	52004-2	Cable (4 m) 110 V	201	52201	sleeve
100	52100-3	Motor-plastic case	204	52204	Ball bearing
101	52101-3	Service case cover	205	52205	Washer
105	52251a	Magnetic field 110 V	206	52206	Locking ring
106	52252a	Armature with pinion 110 V	207	52207	Locking pin
107	52107	Fan	208	52208	Compressing spring
108	52108	Ball bearing	209	52209	Push button
110	52110	Sealing ring	210	52210	Screw
113	52113	Magnetic ring	211	52211	Spacer
116	52253	Flange	212	52212	Spindle shaft
117	52117	Spacer ring	213	52213	Bearing shield
120	52120-3	Carbon brush holder	214	52214-3	Spacer ring
127	52127-2	Electronic-unit 110 V	215	52215-3	Crown wheel
128	52128	Cable	217	52217	Sealing ring
129	52129	Bearing cover	230	52230	Washer
131	52131-1	Carbon brush 110 V	231	52231-3	Nut
133	52133	switch handle with softgrip	701	52700	Grip with foam M8x50
135	52135-3	Switch	702	52702	Protection cover complete
147	52003-3	Screw	703	52706	Polycarbonat extension
149	52149-3	Screw	704	65208	Knurled screw
160	52160-3	Cable connection	705	50048	Screw of spindle shaft
			706	52710	Variable handgrip