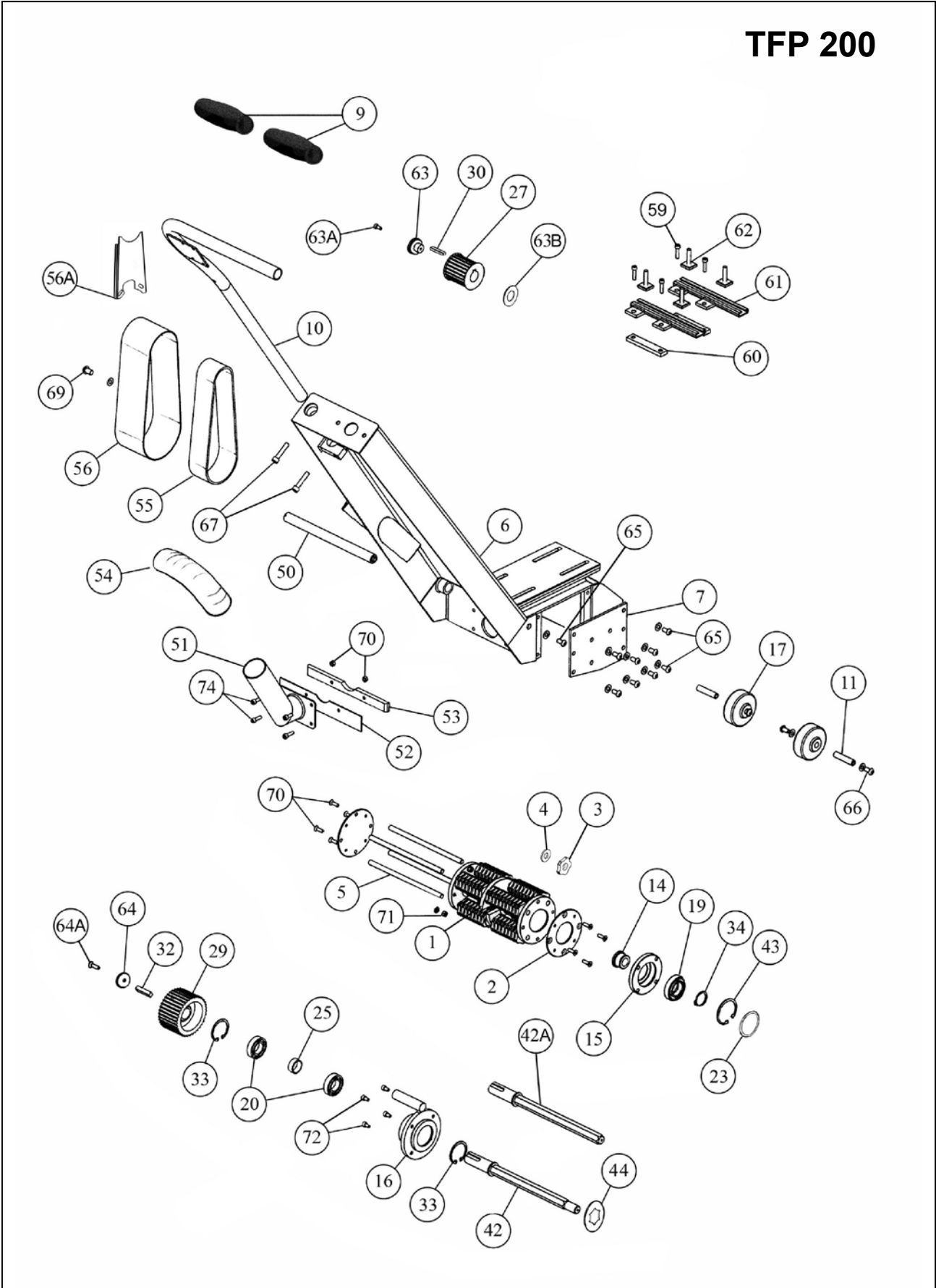


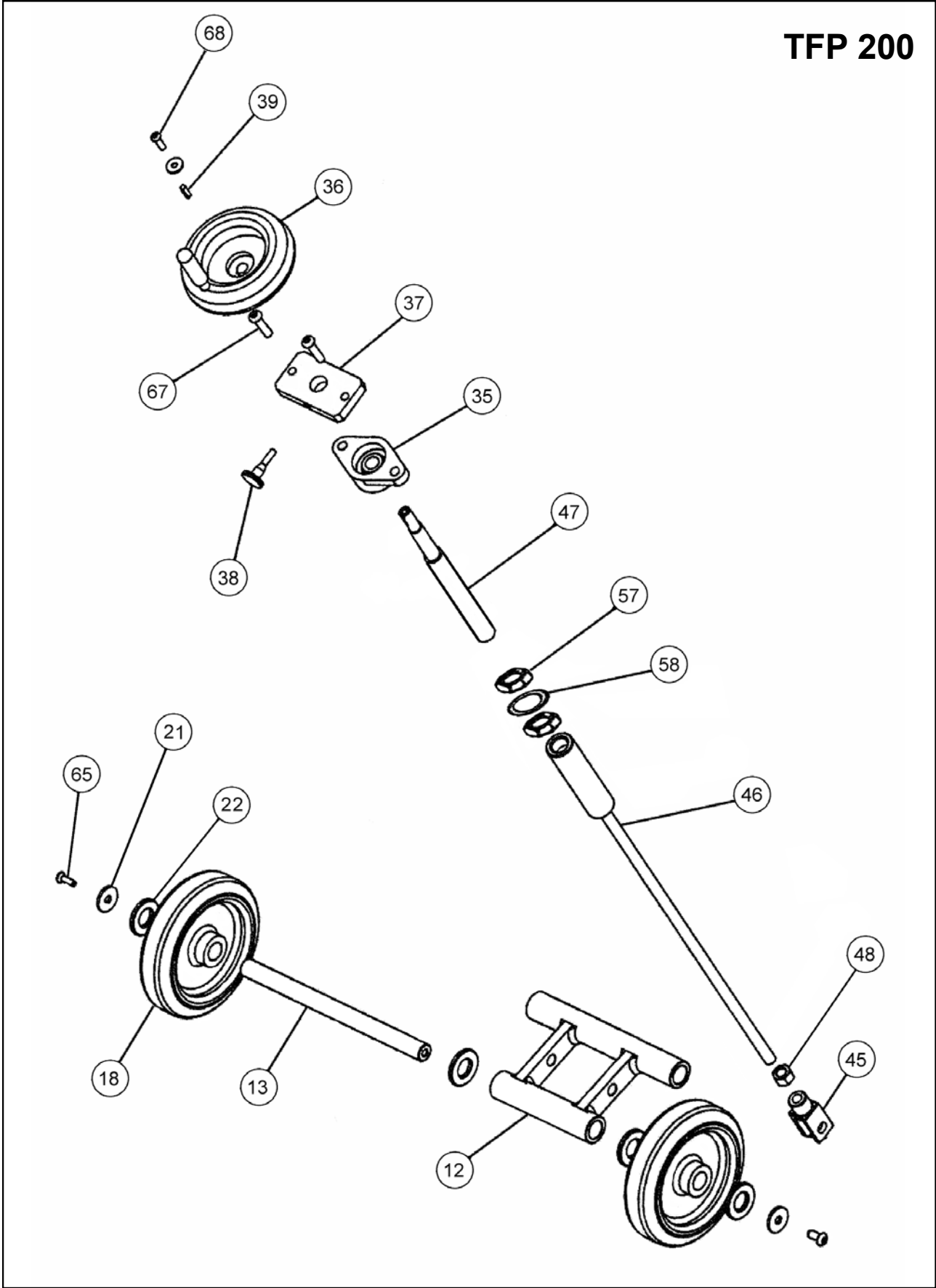
# EXPLODED VIEW

## TFP 200



# EXPLODED VIEW

TFP 200



# PARTS LIST

# TFP 200

ITEM	Part Number	DESCRIPTION	ITEM	Part Number	DESCRIPTION
1	320.002H	12mm Cutter Drum inc Cutter Shafts	34	320.9133	Circlip (small - side plate side - prior 11/2011)
	320.002S	12mm Double Web Drum inc Cutter Shafts	35	320.9134	Flange Bearing
	320.002G	12mm Grooving Drum inc Cutter Shafts	36	320.9135	Handwheel - includes handle
	320.000H	10mm Cutter Drum inc Cutter Shafts	37	320.9155	Locking Plate
	320.000S	10mm Double Web Drum inc Cutter Shafts	38	320.9158	Locking Screw
	320.000G	10mm Grooving Drum inc Cutter Shafts	39	855.4414	Key (handwheel)
2	320.00EP	End Plate	40-41		<i>Not Assigned</i>
3	320.5500	TCT Cutter	42	320.9140	Drive Shaft (round side plate end - prior 11/2011)
	320.5120	Beam Cutter	42a	320.9140A	Drive Shaft (full length hexagon)
	320.3658	Star Cutter	43	320.9132A	Circlip (Large - Side Plate Side - prior 11/2011)
	320.5600	Milling Cutter	44	320.9151	Spinner Plate
	320.5650	1/2 Milling Cutter	45	325.9143	M12 Clevis and Pin
4	320.4140	Spacer	46	320.9112	Height Rod
5	320.0020	12mm Cutter Shafts (see also item 1)	47	320.9113	Height Screw
	320.0010	10mm Cutter Shafts (see also item 1)	48	824.0020	Lock Nut
6	320.2021	Main Chassis inc item (7)	49		<i>Not Assigned</i>
7		Side Plate (part of 320.2021)	50	320.9110D	Swinging Arm Spindle
8		<i>Not Assigned</i>	51	320.9109	Vacuum Take-off
9	822.2000	Handle Bar Grips	52	320.9106	Skirt
10	320.9103	Handle Bar	53	320.9105	Wear Strip
11	320.9107	Front Axle	54	320.9154	Vacuum hose
12	320.9110	Swinging Arm	55	320.9137	Belt
13	320.9111	Rear Axle	56	320.9138	Belt Guard
14	320.9114	Drive Bush (round end drive shaft - prior 11/2011)	56A	320.9138A	Rear Guard
	320.9114A	Drive bush (hexagon end drive shaft - after 10/2011)	57	320.9113A	Tab Washer (height screw - after 11/2011)
15	320.9115	Bearing Housing (side plate side - prior 11/2011)	58	824.0020	Locking nut
	320.9115A	Bearing Housing (side plate side - after 10/2011)	59	831.0825	M8 x 25 Hexagon head bolt
16	320.9116	Bearing Housing (drive side)	60	320.9159	Engine Clamp Plate
17	320.9120	Front Wheel	61	320.9148F	Mounting Rail (Front)
18	320.9121	Rear Wheel		320.9148R	Mounting Rail (Rear)
19	320.9123	Bearing (side plate side - round end prior 11/2011)	62	320.9149	M8 T-Bolt
	320.9123A	Bearing (side plate side - after 10/2011)	63	320.9126A	Engine Pulley Retaining Washer
20	320.9124	Bearing (drive side)		320.9127A	Motor Pulley Retaining Washer
21	812.1080	M8 Washer (rear wheels)	63A	806.5610	5/16" UNF x 1"Lg Cap Head Bolt
22	320.9157	Spacer Washer (rear wheels)	63B	320.9126B	Engine pulley spacer (5.5hp)
23	320.9102A	Bearing spacer (side plate side - after 10/2011)	64	325.9124	Drive Shaft Pulley Retaining Washer
24		<i>Not Assigned</i>	64A	853.1020	M10x20 Countersunk Socket
25	320.9125	Spacer (drive side bearings)	65	831.0820	M8 x 20 Hexagon Head Bolt
26		<i>Not Assigned</i>	66	831.0815	M8 x 15 Hexagon Head Bolt
27	320.9126	Engine Pulley	67	831.0840	M8 x 40 Hexagon Head Bolt
	320.9126A	Engine pulley retaining washer (5.5hp)	68	806.0620	M6 x 20 Button Head Socket Head Screw
	320.9126B	Engine pulley spacer	69	508.D220	M10 x 20 Hex Head Bolt
	320.9127	Motor Pulley	70	320.00SC	M6 x 25 Countersunk Screw
28		<i>Not Assigned</i>		320.01SC	M5 x 20 Countersunk Screw
29	320.9128	Drive Pulley	71	320.00NY	M6 Nyloc Nut
30	320.9129	Engine Key		320.9305	M5 Nyloc Nut
	320.9130	Motor Key	72	806.0612	M6 x 12 Cap head screw
32	320.9131	Drive Key	73		<i>Not Assigned</i>
33	320.9132	Circlip (drive side)	74	831.0620	M6 x 20 Hex Head Bolt

