

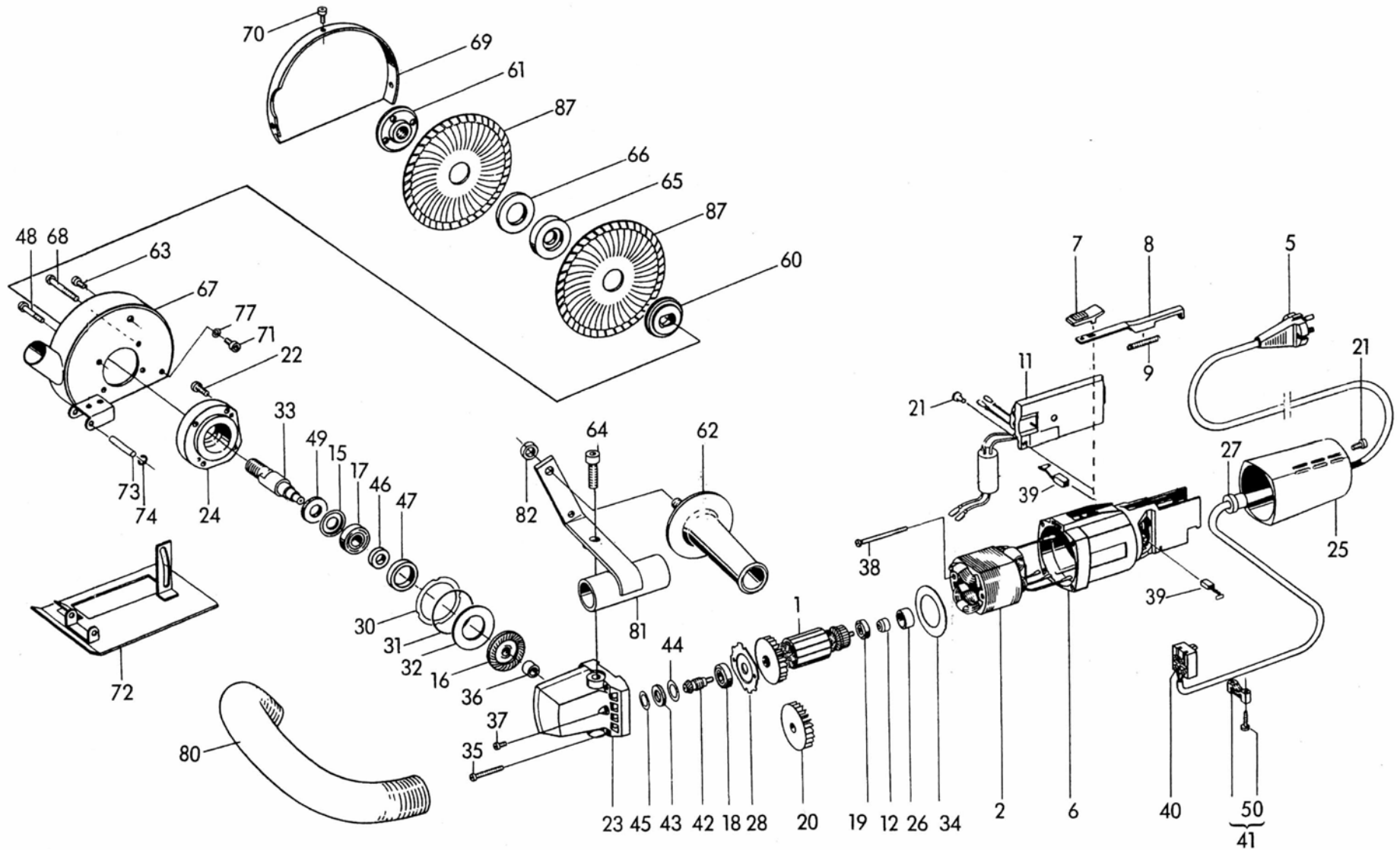
CS UNITEC, INC.

22 Harbor Avenue
Norwalk, CT 06850

Website: www.csunitec.com

Email: info@csunitec.com

Model M 1509 FR – Wall Slotter



Not responsible for typographical errors.

<u>POS. NO.</u>	<u>ITEM NO.</u>	<u>DESCRIPTION</u>	
	100 102	14 MM Wrench	
	100 110	Face Spanner	
	228 974	Key, Hexagon	
	229 253	Slot Chisel	
63 + 71 + 76	107 719	Cheese Head Screw	
1	241 342	Armature	
2	241 369	Magnetic Field	
5	203 521	Cable with Plug, 110 VOLT	
6	254 379	Motor Case	SEE # 225 320 FOR STOCK
7	211 451	Control Lever	
8	225 304	Control Rod	
9	195 820	Compression Spring	
11	251 056	Electronic	
12	219 983	Magnetic Ring	
15	251 828	Sealing Ring	
16	250 606	Bevel Gear	
17	119 482	Bearing	
18	254 442	Bearing	SEE # 100 579
19	254 443	Bearing	SEE # 100 587
20	177 644	Fan	
21	195 715	Screw	
22	192 082	Cheese Head Screw	
23	152 056	Gear Case	Replaces 195 758
24	250 119	Gear Cap	
25	241 288	Cover	
26	257 354	Bearing Cover	
27	197 041	Cable Sleeve	
28	154 997	Bearing Cover	
30	257 571	Spacer	
30	257 572	SHIM	
31	159 204	Sealing Ring	
32	159 212	Spring Washer	
33	272 167	Shaft	
34	159 247	Air Guide	
35	195 693	Screw	
36	159 271	Needle Bearing	SEE 189 251
37	258 573	Screw	

CS Unitec, Inc.

22 Harbor Ave, Norwalk, CT 06850

Telephone: 203-853-9522 Toll Free: 800-700-5919 Fax: 203-853-9921

WebSite: www.csunitec.com E-Mail: info@csunitec.com

Not responsible for typographical errors.

POS. NO.	ITEM NO.	DESCRIPTION	
38	225 347	Torx Head Screw	
39	218 073	Carbon Brush	Old #159 344
40	195 782	Switch	
41	215 074	Cable Clamp	replaces 208.949
42	201 111	Pinion	
43	160 512	Seal Ring	
44	160 520	Washer	
45	160 539	Washer	
46	250 121	Spacer	
47	250 122	Spacer	
48	101 605	Screw	
49	257 747	Sealing Ring	SEE # 160 512
50	213 373	Screw	
60	132 322	Lower Flange	
61	132 330	Clamp Flange	
62	252 721	Handle. Lateral	Old # 219 258
64	251 614	Screw	
65	229 008	Spacer, Large	
66	251 479	Spacer	
67	255 289	Housing	
68	158 674	Screw	
69	251 477	Blade Guard Cap	
70	229 105	Cheese Head Screw	
72	255 286	Bottom Plate	
73	240 079	Pin	
74	240 087	Safety Washer	
77	105 880	Sec. Washer	
80	253 678	Hose	
81	252 077	Handle Holder	
82	251 472	Nut	Replaces 250 213

CS Unitec, Inc.

22 Harbor Ave, Norwalk, CT 06850

Telephone: 203-853-9522 Toll Free: 800-700-5919 Fax: 203-853-9921

WebSite: www.csunitec.com E-Mail: info@csunitec.co