

CS UNITEC

EIBENSTOCK TOOLS

CORE DRILL

3-Speed Electric

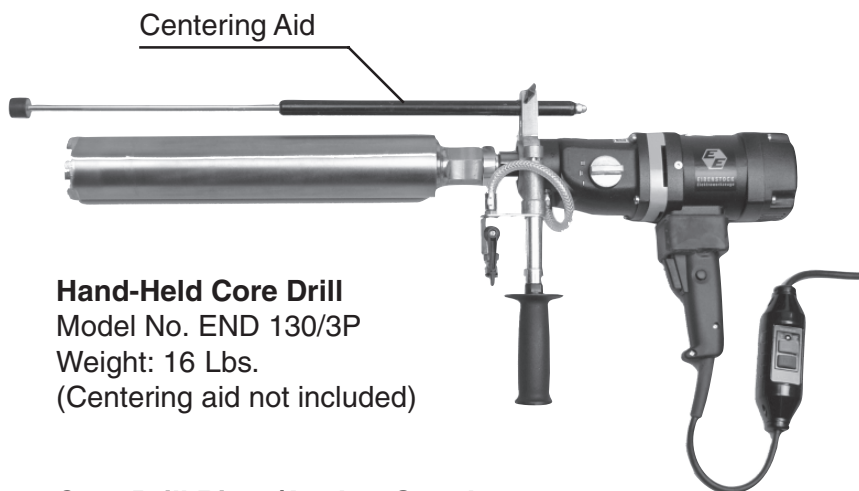
Hand-held or Rig-mounted

Holes up to 6" Diameter

17 AMP Motor



Rig-mounted
up to 6" Dia.



Hand-Held Core Drill
Model No. END 130/3P
Weight: 16 Lbs.
(Centering aid not included)

Core Drill Rig w/Anchor Stand
Model No. END 130/3PSA
Weight: 37 Lbs.

Hand-held
up to 3" Dia.

Core Drill Rig w/Anchor Stand and Vacuum Pump
Model No. END 130/3PSV
Weight: 45 Lbs

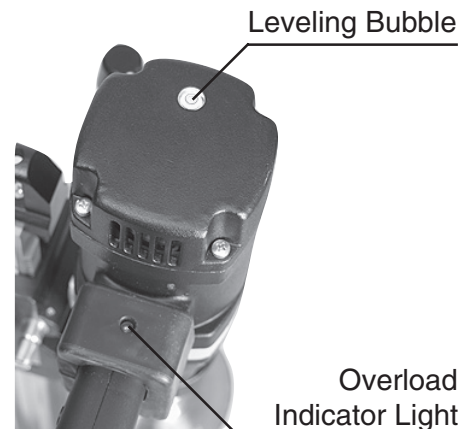
The Eibenstock END 130/3P is ideal for drilling holes in floors, walls, ceilings and for all concrete anchoring applications. Fast and efficient drilling of reinforced concrete, concrete, brick, block and stone.

Model END 130/3P combines a strong all aluminum housing, compact size and powerful 17 AMP motor for high performance. Features include a 3-speed gearbox, built-in leveling bubble, safety slip clutch, water swivel, overload signal, GFCI and carrying case. Connecting threads of 5/8" UNC, 1-1/4" UNC and G1/2".

Drill Specifications	END 130/3P
Power:	17 AMP
Rated Voltage:	110 V
Maximum Drilling Diameter:	6"
Load Speeds (RPM):	600-1300-2800
Connecting Threads:	5/8" x 11 UNC, 1-1/4" x 7 UNC and G1/2"
Weight:	16 lbs.

Optional Centering Aid: Part No. 35846

Specifications subject to change



Leveling Bubble

Overload
Indicator Light

CS UNITEC, Inc.

22 Harbor Avenue, Norwalk, CT 06850

Toll Free: (800) 700-5919 Tel: (203) 853-9522 FAX: (203) 853-9921

Website: <http://www.csunitec.com> E-Mail: Info@csunitec.com