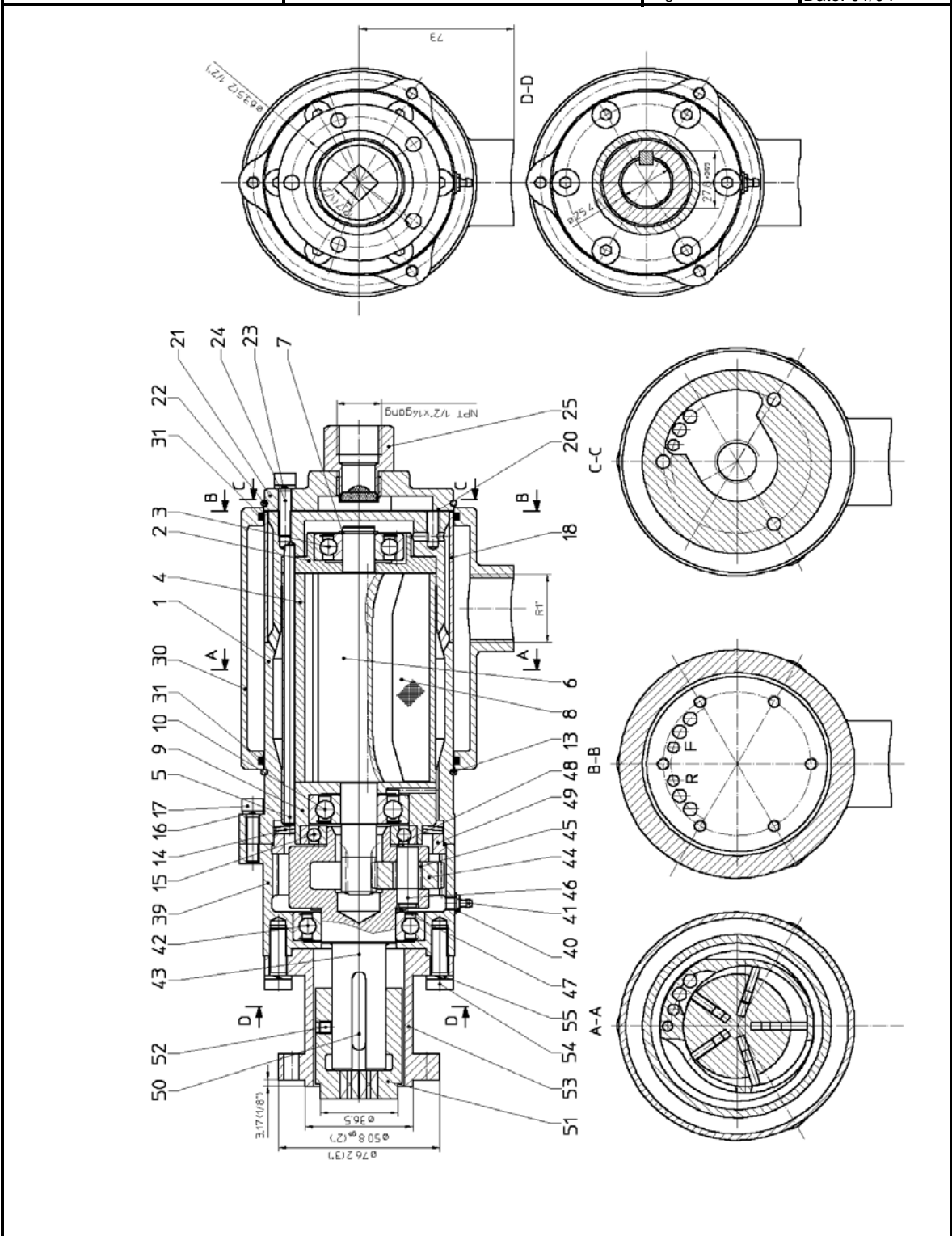


<b>CS Unitec, Inc.</b>	<b>SPARE PARTS LIST</b>	
	DESCRIPTION: <b>Geared Motor</b> Connection NPT 1/2"x14	PART NUMBER / DRAWING NUMBER: <b>3 6225 0050</b>
	Page No.: 2/2	Date: 01/04



CS Unitec, Inc Website: <a href="http://www.csunitec.com">www.csunitec.com</a>	22 Harbor Ave. Norwalk, CT 06850 (203) 853-9522 (800) 700-5919 Fax: (203) 853-9921
--	--

*Not responsible for typographical errors.*

<b>POS. NO.</b>	<b>ITEM NO.</b>	<b>DESCRIPTION</b>	
1	3 6220 1010	Motor Housing	
2	3 6220 1110	End Plate	
3	9 1005 0360	Grooved Ball Bearing	
4	3 6220 1020	Cylinder Bushing	
5	9 1637 2230	Locating Pin	
6	3 6222 1030	Rotor	
7	9 1702 0080	Snap Ring	SEE # 101 591
8	3 6220 1050	Vane (5 Required)	
9	3 6220 1100	End Plate	
10	9 1005 0370	Grooved Ball Bearing	
13	9 1710 0140	Retaining Ring	
14	9 1802 0620	Belleville Spring	
15	9 1002 0050	Ball Bearing	
16	9 3322 0020	Lock Washer	
17	9 1110 4040	Fillister Head Screw	4-30-35-080-06-8
18	3 6220 1190	Dumping Sleeve	
20	3 6220 1160	Seal	
21	3 6220 1130	Connecting Cover	
25	9 2205 1830	Nipple, Assy.	
30	3 6221 1120	Rotary Sleeve	
31	9 1901 6980	O-Ring	
39	3 6222 4910	Gearbox Casing	
40	9 1903 1250	Seal	
41	9 3402 0100	Grease Nipple	
42	9 1003 0580	Grooved Ball Bearing	
43	3 6222 4130	Planet Carrier	
44	3 6412 4040	Planetary Wheel	
45	9 1015 0850	Needle Cage	
46	3 6412 4050	Planetary Wheel Bolt	
47	9 3331 0410	Fitting Washer	
48	9 3331 1240	Shim	
49	3 6222 4180	Ring	
50	9 1501 4800	Feather Key	
51	3 6225 7030	Coupling	
52	9 1148 4020	Set Screw	
53	3 6225 4110	Housing	
54	9 1112 5010	Fillister Head Screw	

CS Unitec, Inc.

22 Harbor Ave, Norwalk, CT 06850

Telephone: 203-853-9522 Toll Free: 800-700-5919 Fax: 203-853-9921

WebSite: [www.csunitec.com](http://www.csunitec.com) E-Mail: [info@csunitec.com](mailto:info@csunitec.com)

*Not responsible for typographical errors.*

<b><u>POS. NO.</u></b>	<b><u>ITEM NO.</u></b>	<b><u>DESCRIPTION</u></b>
55	9 3322 0030	Lock Washer