

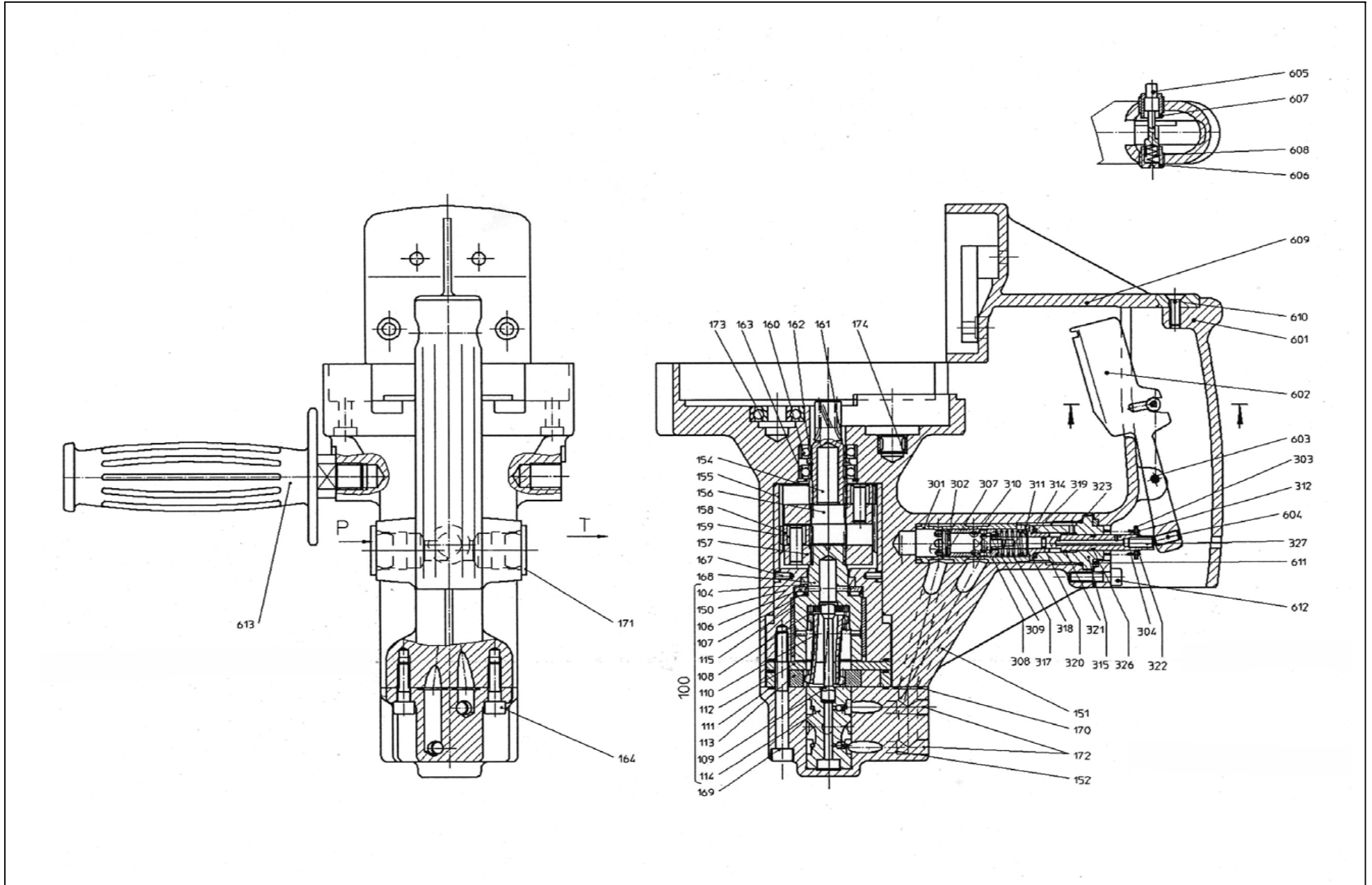
**CS UNITEC, INC.**

22 Harbor Avenue  
Norwalk, CT 06850

Website: [www.csunitec.com](http://www.csunitec.com)

Email: [info@csunitec.com](mailto:info@csunitec.com)

**Model 2 2410 0010 – Hydraulic Rotary Hammer**



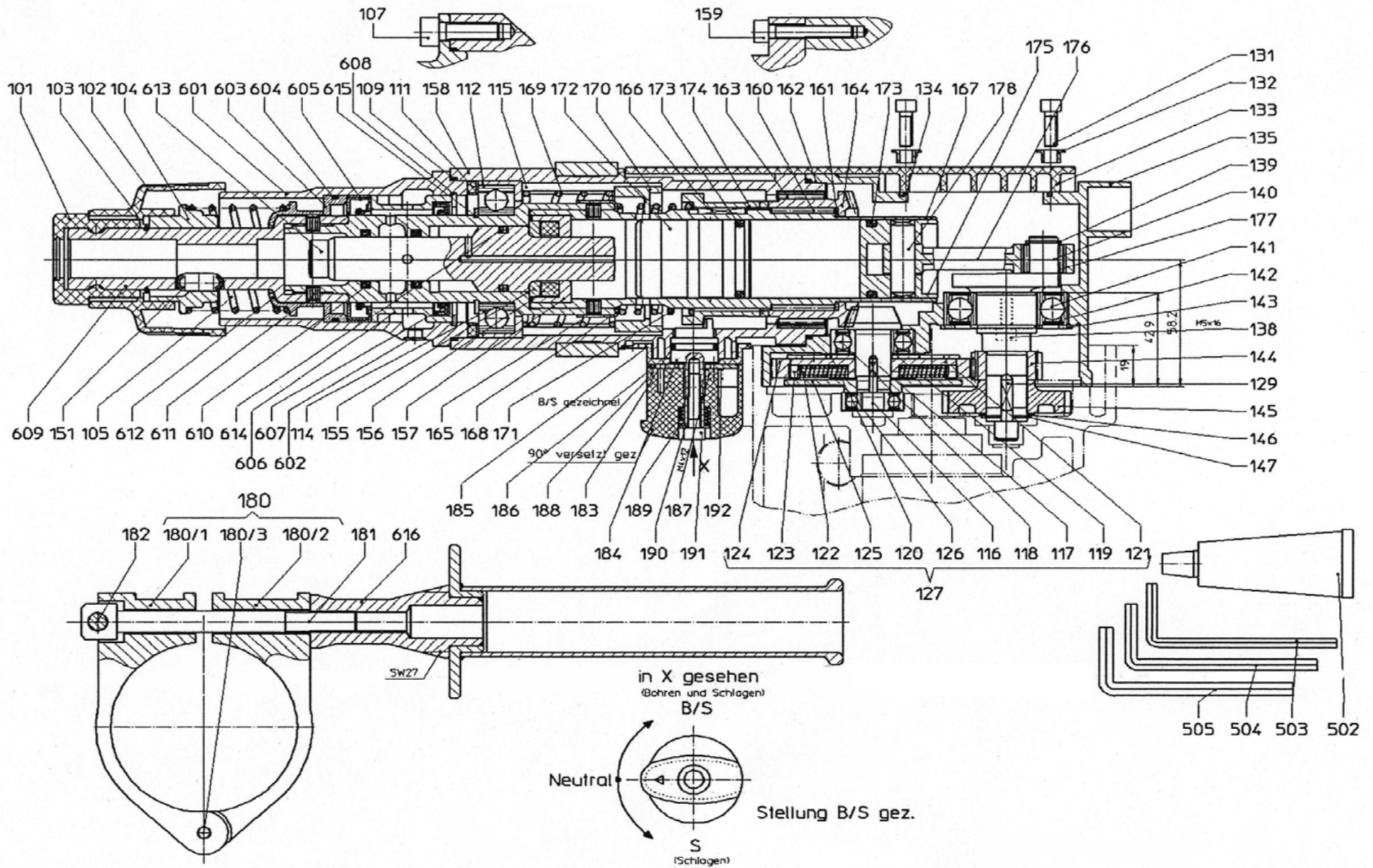
# CS UNITEC, INC.

22 Harbor Avenue  
Norwalk, CT 06850

Website: [www.csunitec.com](http://www.csunitec.com)

Email: [info@csunitec.com](mailto:info@csunitec.com)

# Model 2 2410 0010 – Hydraulic Rotary Hammer



*Not responsible for typographical errors.*

<u>POS. NO.</u>	<u>ITEM NO.</u>	<u>DESCRIPTION</u>	
	2 1317 3300	Valve Assembly	Consist of items 307-323
	2 1317 6920	Handle Complete	Consisting of Items 601 - 608
327 + 604	9 1148 3030	Screw	
100	9 5501 0130	Motor, Hydraulic	
104	9 1925 0450	Shaft Sealing	
106	9 1024 0360	Thrust Washer	
107	9 1024 0370	Bearing, Thrust	
108	9 5501 0040	Shaft Spacer	
109	9 5501 0140	Spool Drive	
110	9 5501 0150	Drive	
111	9 1921 1240	O-Ring	
112	9 5501 0070	Spacer Plate	
113	9 5501 0160	Geroler Assembly	
114	9 5501 0090	Spool	
115	9 1029 0530	Bearing	
150	2 2407 1910	Motor Housing Assy.	
151	2 2407 4910	Housing Assy.	
152	2 2407 1930	Motor Cover	
154	2 2407 4170	Pinion Shaft	
155	2 2407 4020	Rim of the Gear	
156	3 8837 4360	Pinion	
157	3 8837 4920	Planet Carrier, complete	
158	3 8837 4140	Planetary Wheel	
159	9 1015 0790	Needle Cage	
160	9 1011 0190	Bearing	
161	2 2407 4150	Washer	
162	9 1702 0080	Snap Ring	SEE # 101 591
163	9 1703 0070	Ring, Snap	4-26-16-027-009
164	9 1110 4390	Fillister Head Screw	
167	9 1619 0450	Dowel Pin	
168	2 2406 1050	Output Shaft	
169	9 1110 4160	Fillister Head Screw	
170	9 1901 2710	O-RING	
171	9 3401 1060	Plug	
172	9 1140 5080	Screw	

CS Unitec, Inc.

22 Harbor Ave, Norwalk, CT 06850

Telephone: 203-853-9522 Toll Free: 800-700-5919 Fax: 203-853-9921

WebSite: [www.csunitec.com](http://www.csunitec.com) E-Mail: [info@csunitec.com](mailto:info@csunitec.com)

*Not responsible for typographical errors.*

<b>POS. NO.</b>	<b>ITEM NO.</b>	<b>DESCRIPTION</b>
173	9 1001 0090	Bearing
174	9 1014 0470	Needle Sleeve
301	2 1317 3310	Bushing
302	5 1220 3050	Gland 15LPM
303	9 3302 0030	Washer 3-24-08-232-00-4
304	9 1803 3590	Spring
307	9 1703 0260	Snap Ring
308	9 1110 2090	Fillister-Head Screw
309	9 3302 0150	Washer
310	2 1317 3320	Control Piston
311	2 1317 3070	Spring Seat
312	2 1317 3110	Pin
314	2 1317 3090	Bushing
315	2 1317 3100	Guide
317	9 1803 1700	Spring
318	9 1706 0180	Snap Ring
319	9 1901 3290	O-Ring
320	9 1901 9800	O-Ring
321	9 1901 2550	O-Ring
322	9 1706 0140	Snap Ring
323	9 1901 6020	O-Ring
326	9 1901 2080	O-Ring
601	2 1317 6110	Handle
602	2 1317 3030	Valve Trigger
603	9 1641 0010	Pin, Double Notched Taper
605	5 6011 3150	Lock Bolt
606	5 6011 3160	Bushing
607	5 6011 3170	Guiding Bushing
608	9 1803 3360	Compression Spring
609	2 2407 6040	Bar
610	9 1113 3030	Screw
611	9 1903 0270	Ring
612	9 1110 3120	Screw 4-30-35-093-05-2
613	1 2415 6010	Handle

CS Unitec, Inc.

22 Harbor Ave, Norwalk, CT 06850

Telephone: 203-853-9522 Toll Free: 800-700-5919 Fax: 203-853-9921

WebSite: [www.csunitec.com](http://www.csunitec.com) E-Mail: [info@csunitec.com](mailto:info@csunitec.com)

*Not responsible for typographical errors.*

<b>POS. NO.</b>	<b>ITEM NO.</b>	<b>DESCRIPTION</b>	
123 + 165	9 1016 0490	Needle Pin	
131 + 138	9 1110 3120	Screw	4-30-35-093-05-2
503 + 504	9 1314 0040	Offset Hex Ball Drive 5mm	
101	2 2414 4690	Front Cap	
102	2 2414 4660	Grip	
103	9 1717 0080	Stopper Ring	
104	2 2414 4470	Needle Holder	
105	9 1803 4750	Retainer Spring	
107	9 1110 5390	Fillister-Head Screw	
109	9 1921 4480	O-Ring	
111	2 2414 4380	Plastic Ring	
112	2 2414 4390	Ring Holder	
114	9 1003 0090	Bearing	
115	2 2414 4480	Sleeve	
116	2 2414 4630	Bevel Pinion	
117	9 1501 1220	Feather Key	
118	259 147	Bearing	
119	2 2414 4880	Washer	
120	2 2414 4670	Disk	
121	2 2414 4700	Gear Holder	
122	9 1803 4780	Compression Spring	
124	2 2414 4240	Gear, Toothed	
125	2 2414 4770	Shroud Plate	
126	9 1001 0090	Bearing	
127	2 2414 4920	Slip Clutch Assembly	
129	9 1501 3570	Feather Key	
132	2 2414 4270	Distance Piece	
133	2 2414 4360	Cover Cap	
134	2 2414 4260	Rubber Seal	
135	2 2414 4010	Gearbox Casing	
139	9 1702 0050	Retaining Ring	4-26-16-006-00-7
140	2 2414 4550	Crank Shaft	
141	80410151	Bearing	
142	223 344	C-Clip	
143	2 2414 4160	Bearing Cover	
144	2 2414 4340	Spur Gear	

CS Unitec, Inc.

22 Harbor Ave, Norwalk, CT 06850

Telephone: 203-853-9522 Toll Free: 800-700-5919 Fax: 203-853-9921

WebSite: [www.csunitec.com](http://www.csunitec.com) E-Mail: [info@csunitec.co](mailto:info@csunitec.co)

*Not responsible for typographical errors.*

<b>POS. NO.</b>	<b>ITEM NO.</b>	<b>DESCRIPTION</b>
145	2 2414 4440	Spur Gear
146	2 2414 4280	Thrust Washer
147	9 1702 0100	Snap Ring
151	2 2414 4680	Needle Roller
155	2 2414 4570	Damper Washer
156	2 2414 4580	Damper
157	2 2414 4590	Damper Holder
158	2 2414 4510	Cylinder Case
159	9 1110 4060	SCREW
160	9 1015 1210	Needle Cage
161	2 2414 4370	Cylinder Washer
162	9 1921 4250	O-Ring
163	9 1014 0480	Needle Sleeve
164	2 2414 4640	Bevel Gear
166	9 1507 9130	Feather Key
167	2 2414 4600	Cylinder
168	2 2414 4490	Sleeve
169	9 1803 4760	Lock Spring
170	2 2414 4870	Lock Sleeve
171	9 1803 4770	Compression Spring
172	2 2414 4620	Striker
173	9 1921 3590	O-Ring
174	2 2414 4610	Clutch
175	2 2414 4520	Piston
176	2 2414 4530	Connecting Rod
177	9 1013 0290	Needle Bearing
178	2 2414 4560	Piston Pin
179	2 2414 6910	Side Handle
180	2 2414 6950	Handle Holder Assembly
181	2 2414 6920	Handle Bolt
182	2 2414 9100	Stopper Rod
183	9 1901 3270	O-Ring
184	2 2414 3260	Lever Shaft
185	2 2414 3280	Under Cover
186	2 2414 3270	Shaft Cover
187	9 1110 2070	Fillister-Head Screw

CS Unitec, Inc.

22 Harbor Ave, Norwalk, CT 06850

Telephone: 203-853-9522 Toll Free: 800-700-5919 Fax: 203-853-9921

WebSite: [www.csunitec.com](http://www.csunitec.com) E-Mail: [info@csunitec.com](mailto:info@csunitec.com)

*Not responsible for typographical errors.*

<b>POS. NO.</b>	<b>ITEM NO.</b>	<b>DESCRIPTION</b>
188	2 2414 3100	Lever
189	9 1803 4740	Spring
190	2 2414 3080	Sleeve
191	9 1110 3020	Fillister Head Screw
192	9 3305 0100	Washer
502	9 9902 0250	Grease
505	9 1314 0050	Hex Key #6

CS Unitec, Inc.

22 Harbor Ave, Norwalk, CT 06850

Telephone: 203-853-9522 Toll Free: 800-700-5919 Fax: 203-853-9921

WebSite: [www.csunitec.com](http://www.csunitec.com) E-Mail: [info@csunitec.co](mailto:info@csunitec.co)