

CS UNITEC, INC.

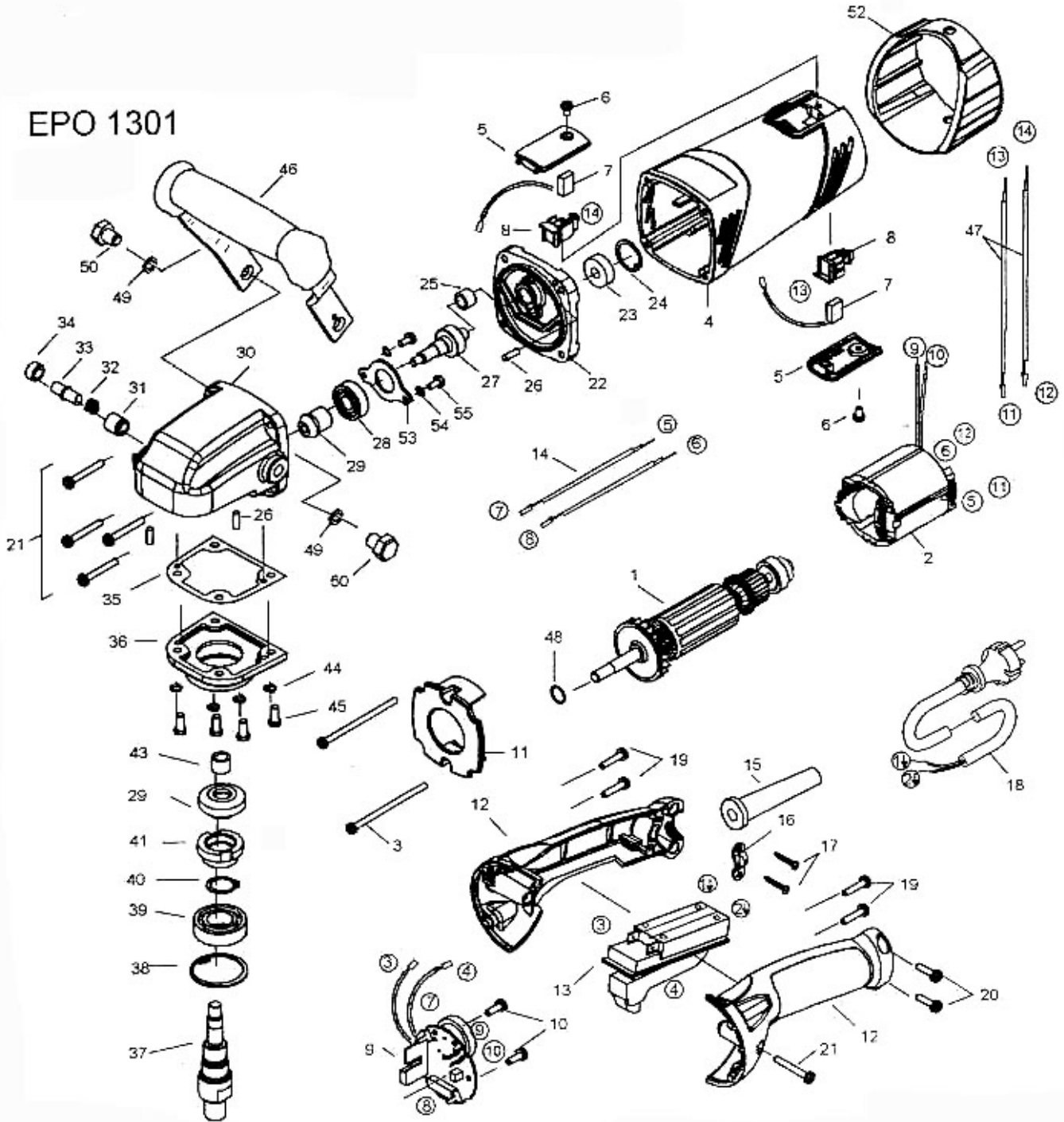
22 Harbor Avenue
Norwalk, CT 06850

Website: www.csunitec.com

Email: info@csunitec.com

Model EPO 1301 – Polishing Machine

EPO 1301



Not responsible for typographical errors.

<u>POS. NO.</u>	<u>ITEM NO.</u>	<u>DESCRIPTION</u>	
1	7551A100	Rotor-REPLACES 75412100	
2	75412150	Stator	
3	80201265	Screw	
4	80900175	Motor Housing	
5	80900178	Brush Holder Cover	
6	80201260	Self Tapping Screw	
7	80700037	Carbon Brush	
8	80204500	Brush Holder	
9	80601162	Circuit Board-REPLACE 80601161	
10	80201109	Screw, Self Tapping	
11	80900174	Air-Guiding Ring	
12	80900179	Handle Cap	
13	80600148	Switch, flush mounting	
14	80600244	Interconnection Wire	
15	83000004	Cable Sleeve	
16	85000020	Clip	
17	80201270	Screw	
18	80600060	Connection Cable	
19	80201272	Screw	
20	80201271	Screw 4.2x16	
21	80201179	Screw, Self Tapping	
22	75704610	Shield, Gearing Bearing	
23	80410011	Bearing	Replaces 032.0221
24	80201315	Snap Ring	
25	80420105	Needle Bushing	
26	80200581	Notched Pin	
27	75704490	Intermediate Shaft	
28	80410020	Bearing	
29	85000301	Pinion and Gear	
30	75704400	Gearing House, Black	
31	75412554	Bush 1	
32	80200705	Compression Spring	
33	75412425	Bolt	
34	75412555	Bush 2	
35	82000063	Gearing Sealing	
36	75412405	Housing Cover	
37	75519420	Work Spindle	
38	80201334	Snap Ring	
39	80410043	Bearing 6003	
40	80201323	Snap Ring	
41	75412550	Stopper	
43	80420110	Needle Sleeve	Replaces 050.0161
44	80201302	Spring Ring	
45	9 1110 3080	Fillister Head Screw	Replaces 80201230

CS Unitec, Inc.

22 Harbor Ave, Norwalk, CT 06850

Telephone: 203-853-9522 Toll Free: 800-700-5919 Fax: 203-853-9921

WebSite: www.csunitec.com E-Mail: info@csunitec.com

Not responsible for typographical errors.

<u>POS. NO.</u>	<u>ITEM NO.</u>	<u>DESCRIPTION</u>
46	80200073	Handle, Bow Shaped
47	80600249	Pigtail
48	80200740	Circlip
49	80201311	Lock Washer
50	80201410	Screw, Hexagon
52	80900107	Splash Guard
53	75519410	Holding Plate
54	80200752	Washer
55	80201201	Screw

CS Unitec, Inc.

22 Harbor Ave, Norwalk, CT 06850

Telephone: 203-853-9522 Toll Free: 800-700-5919 Fax: 203-853-9921

WebSite: www.csunitec.com E-Mail: info@csunitec.com