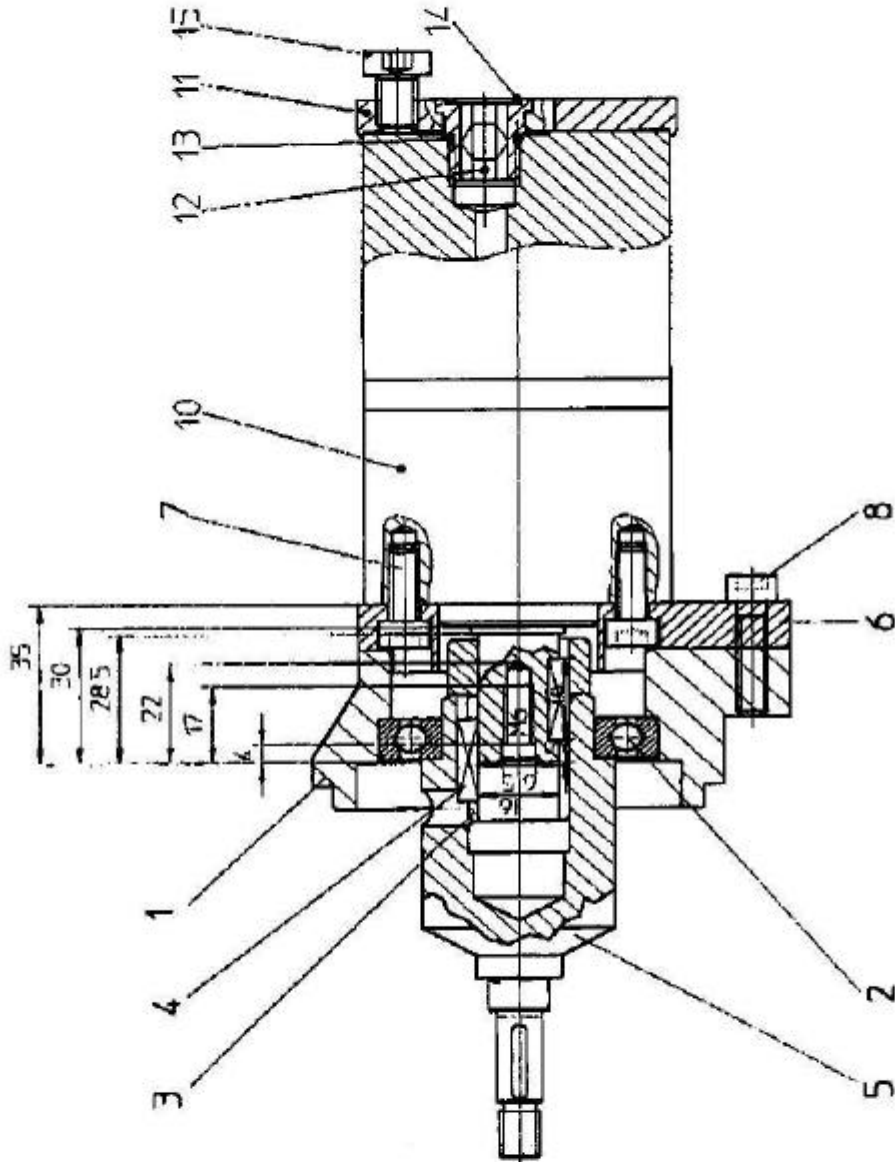


CS UNITEC, INC.

22 Harbor Avenue
Norwalk, CT 06850
Website: www.csunitec.com
Email: info@csunitec.com

SPARE PARTS LIST

DESCRIPTION: Adaptor parts Hydraulic motor	TYPE: 8 1213 7500 5 1220 1000
Sheet-Nr.: 22	Issue: 05/00



Hydraulic Hackaw 51220 0010

Not responsible for typographical errors.

<u>POS. NO.</u>	<u>ITEM NO.</u>	<u>DESCRIPTION</u>	
	5 1213 7500	Adaptor Parts Assembly	Includes Pos. 1 thru 8
	5 1220 1000	Hydraulic Motor Assembly	Includes Pos. 10 thru 15
1	5 1206 7110	Housing	
2	9 1002 0050	Ball Bearing	
3	5 1206 7790	Coupling	
4	9 1507 9050	Feather Key	
5	5 1206 7440	Shaft	
6	5 1206 7770	Adaptor Plate	
7	9 1110 4020	Fillister Head Screw	
8	9 1110 4040	Fillister Head Screw	4-30-35-080-06-8
10	9 5501 0010	Hydraulic Motor	
11	5 1220 3070	Adaptor Plate	
12	5 1220 3100	Nipple	
13	9 1901 3410	O Ring	
14	9 1901 2230	O-Ring	
15	9 1112 5130	Fillister Head Screw	

CS Unitec, Inc.

22 Harbor Ave, Norwalk, CT 06850

Telephone: 203-853-9522 Toll Free: 800-700-5919 Fax: 203-853-9921

WebSite: www.csunitec.com E-Mail: info@csunitec.com

CS UNITEC, INC.

22 Harbor Avenue
Norwalk, CT 06850

Website: www.csunitec.com

Email: info@csunitec.com

SPARE PARTS LIST

DESCRIPTION:

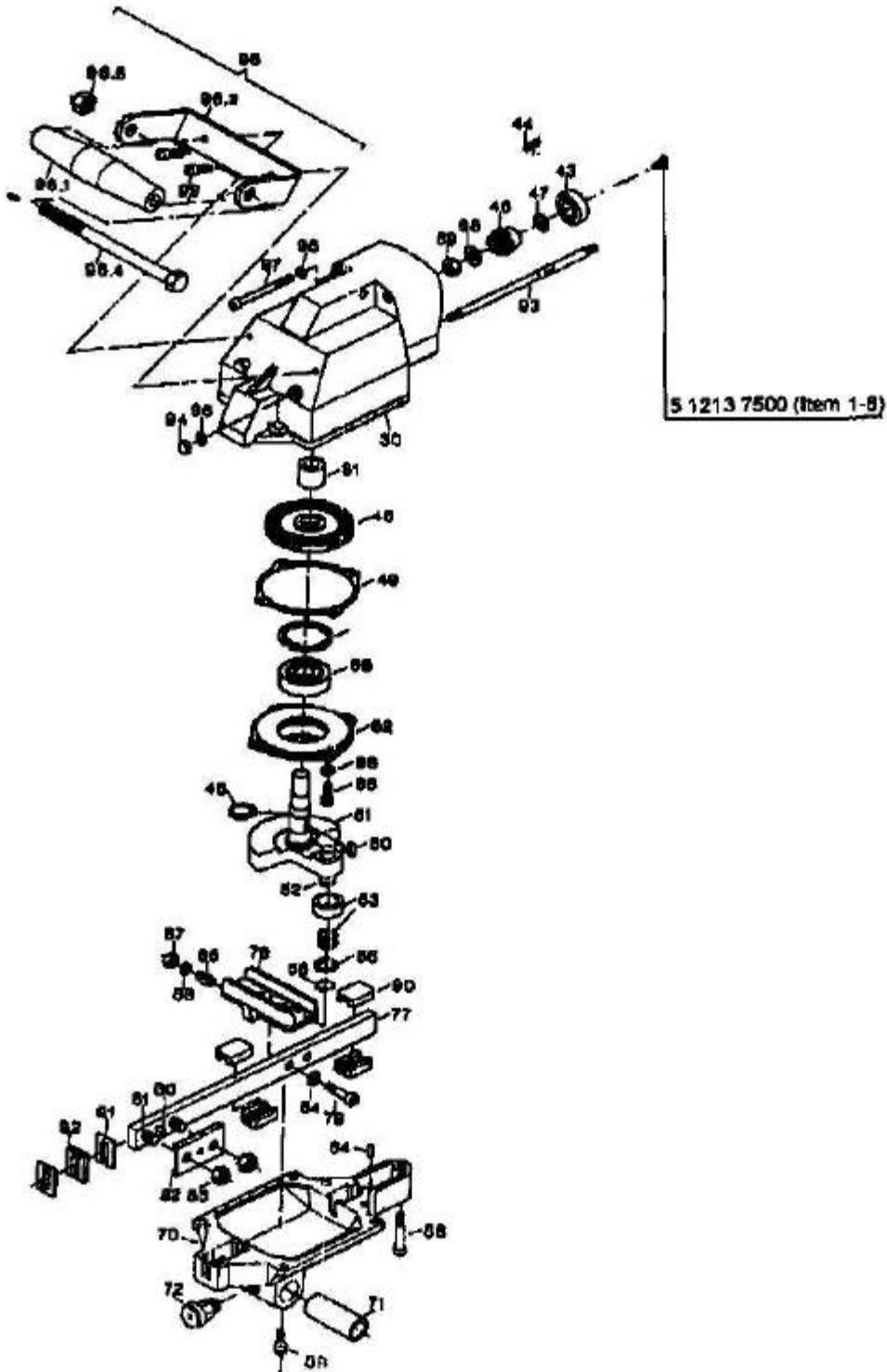
Gearbox

TYPE:

5 1220 4000

Sheet-Nr. 2/2

Issue: 06/00



Hydraulic Hacksaw 5 1220 0010

Not responsible for typographical errors.

<u>POS. NO.</u>	<u>ITEM NO.</u>	<u>DESCRIPTION</u>	
65 + 89	9 1110 3120	Screw	4-30-35-093-05-2
66 + 95	9 3329 0010	Locking Plate	4-24-43-004-05-7
30	5 1205 4910	Gear Housing	3-12-09-013-00-2
43	9 1003 0370	Bearing	4-17-01-010-03-2
44	9 1501 1120	Key	4-02-21-008-00-3
45	9 1713 0010	Snap Ring for Air Hacksaw	4-26-41-001-00-2
46	5 1202 4920	Bevel Gear Complete	3-38-09-142-01-9
47	5 1202 4140	Washer	3-26-24-087-02-8
47	5 1202 4340	Balance Ring	3-26-24-087-03-4
49	5 1202 4150	Balance Ring	
49	5 1202 4350	Balance Ring	3-26-24-086-03-0
50	9 1501 2080	Feather	4-02-21-017-00-4
51	5 1202 4160	Crankshaft	3-34-05-022-00-3
52	5 1202 7170	Bolt	
53	9 1025 0200	BEARING	4-17-24-001-00-5
55	5 1202 4490	WASHER	3-24-08-212-00-6
56	9 1702 0050	Retaining Ring	4-26-16-006-00-7
58	9 1004 0270	Bearing	4-17-01-222-03-8
59	9 1210 0010	Nut	
62	5 1202 4220	SEE # 5 1213 4220	3-24-19-063-00-0
64	9 1626 0180	Pin, Notched Taper	4-02-47-006-00-2
68	9 3302 0030	Washer	3-24-08-232-00-4
70	5 1202 4940	Gear Casing Cover Complete	3-24-29-068-01-9
77	5 1202 4260	Connecting Rod	3-27-14-057-00-2
78	5 1202 4270	Connecting Link	3-27-14-059-00-4
79	9 1110 4040	Fillister Head Screw	4-30-35-080-06-8
80	9 1624 0020	Cylindrical Pin	
81	5 1202 4280	Threaded Pin	4-30-07-038-08-8
82	5 1201 7060	Pressure Plate	3-27-14-011-00-0
83	9 1203 0050	Nut Hexagon	See # 251 048
84	9 3302 0020	Disc	4-24-01-003-06-3
85	9 1632 0010	Clamping Sleeve	4-02-38-014-00-3
86	9 3312 0010	Spring Washer	4-24-45-003-06-0
87	9 1203 0040	Nut Hexagon	4-20-01-029-06-6
88	9 1110 3030	Screw	4-30-33-015-05-2
90	5 1206 4300	Bushing, Brass	3-16-04-008-00-1
91	9 1902 0490	Scraper	3-27-14-058-00-0
92	9 1902 0500	Felt	3-06-04-042-00-7
93	9 1643 0010	Stay Bolt	3-30-23-060-00-5
94	9 1211 0020	Nut	4-20-19-005-05-2
96	5 1202 6000	Handle	3-21-19-044-01-2
97	9 1112 3090	Screw	4-305-507-305-2
98	9 1110 3080	Fillister Head Screw	

CS Unitec, Inc.

22 Harbor Ave, Norwalk, CT 06850

Telephone: 203-853-9522 Toll Free: 800-700-5919 Fax: 203-853-9921

WebSite: www.csunitec.com E-Mail: info@csunitec.com

CS UNITEC, INC.

22 Harbor Avenue
Norwalk, CT 06850

Website: www.csunitec.com

Email: info@csunitec.com

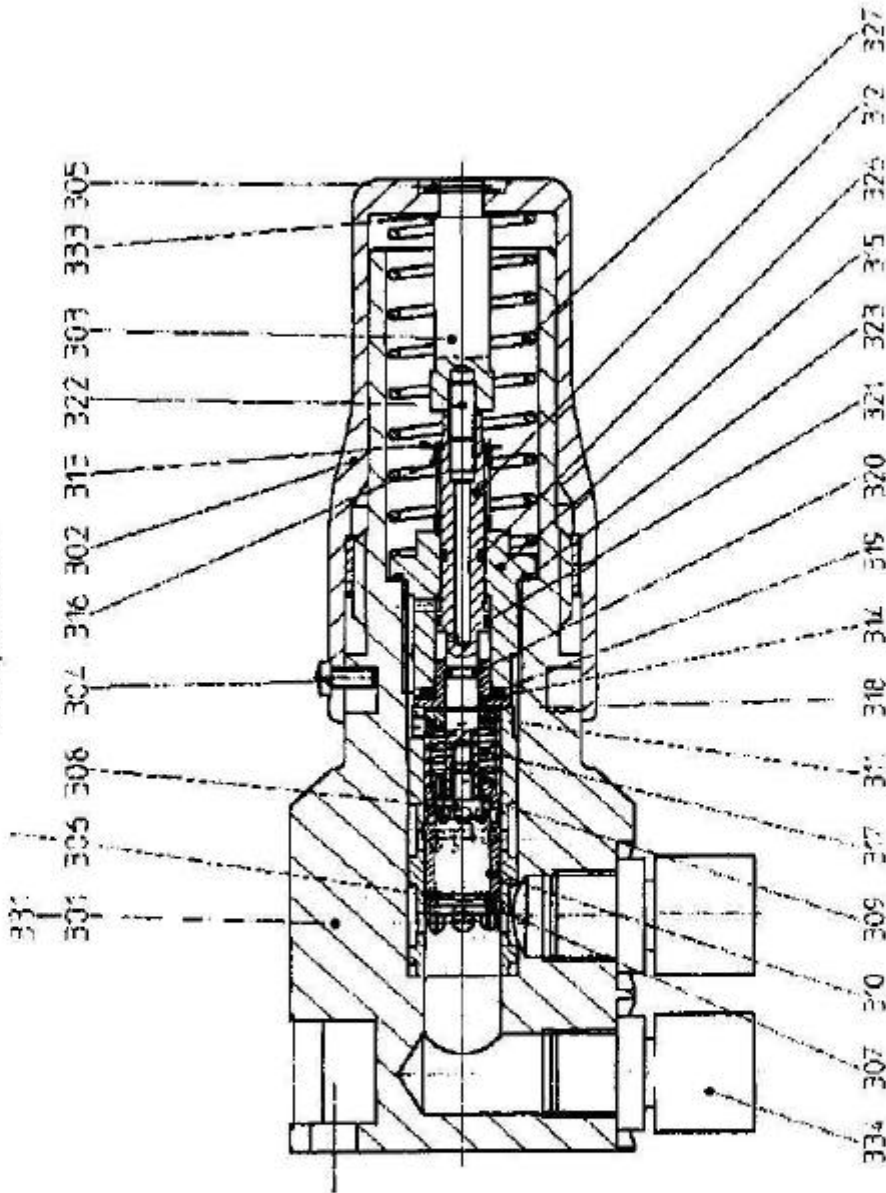
SPARE PARTS LIST

DESCRIPTION:
Hydraulic Twist Valve

TYPE:
6 1220 3000

Sheet-Nr.: 2/2 Issue: 05/00

CSFC
230 5 1220 3040
240 5 1220 3050
see parts list



Hydraulic Hacksaw 5 1220 0010

Not responsible for typographical errors.

POS. NO.	ITEM NO.	DESCRIPTION
301	5 1220 3910	Valve Housing Assembly
302	5 1220 3920	USE # 5 1220 3020
303	5 1220 3060	Pressure Pin
304	9 1164 0120	Screw
305	9 1702 0020	Snap Ring
306	5 1220 3040	Gland 12 LPM
306	5 1220 3050	Gland 15LPM
307	9 1703 0260	Snap Ring
308	9 1110 2090	Fillister-Head Screw
309	9 3302 0150	Washer
310	2 1317 3320	Control Piston
311	2 1317 3070	Spring Seat
312	2 1317 3110	Pin
313	9 1706 0140	Snap Ring
314	2 1317 3090	Bushing
315	2 1317 3100	Guide
316	9 1803 0660	Pressure Spring
317	9 1803 1700	Spring
318	9 1706 0180	Snap Ring
319	9 1901 3290	O-Ring
320	9 1901 9800	O-Ring
321	9 1901 2550	O-Ring
322	9 1148 3030	Screw
323	9 1901 6770	O-Ring
326	9 1901 2080	O-Ring
327	9 1803 4070	Spring
331	9 1174 0010	Plug
333	9 3331 0130	Shim
333	9 3331 2010	Shim
334	9 2124 0240	Thread Joint
334	9 2126 0240	Swing Fixture

CS Unitec, Inc.

22 Harbor Ave, Norwalk, CT 06850

Telephone: 203-853-9522 Toll Free: 800-700-5919 Fax: 203-853-9921

WebSite: www.csunitec.com E-Mail: info@csunitec.com