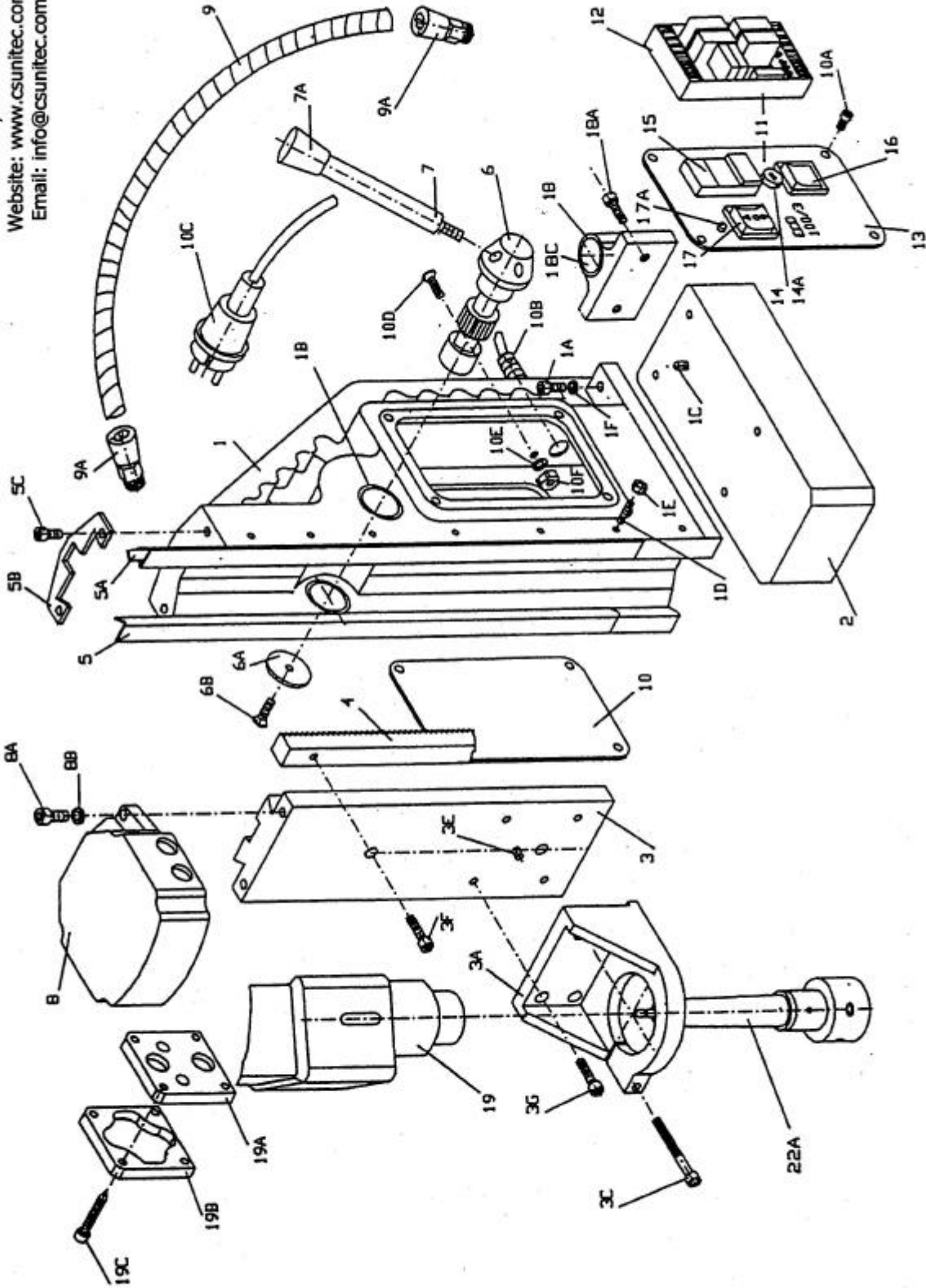


CS UNITEC, INC.
 22 Harbor Avenue
 Norwalk, CT 06850
 Website: www.csunitec.com
 Email: info@csunitec.com

ECD 100/3

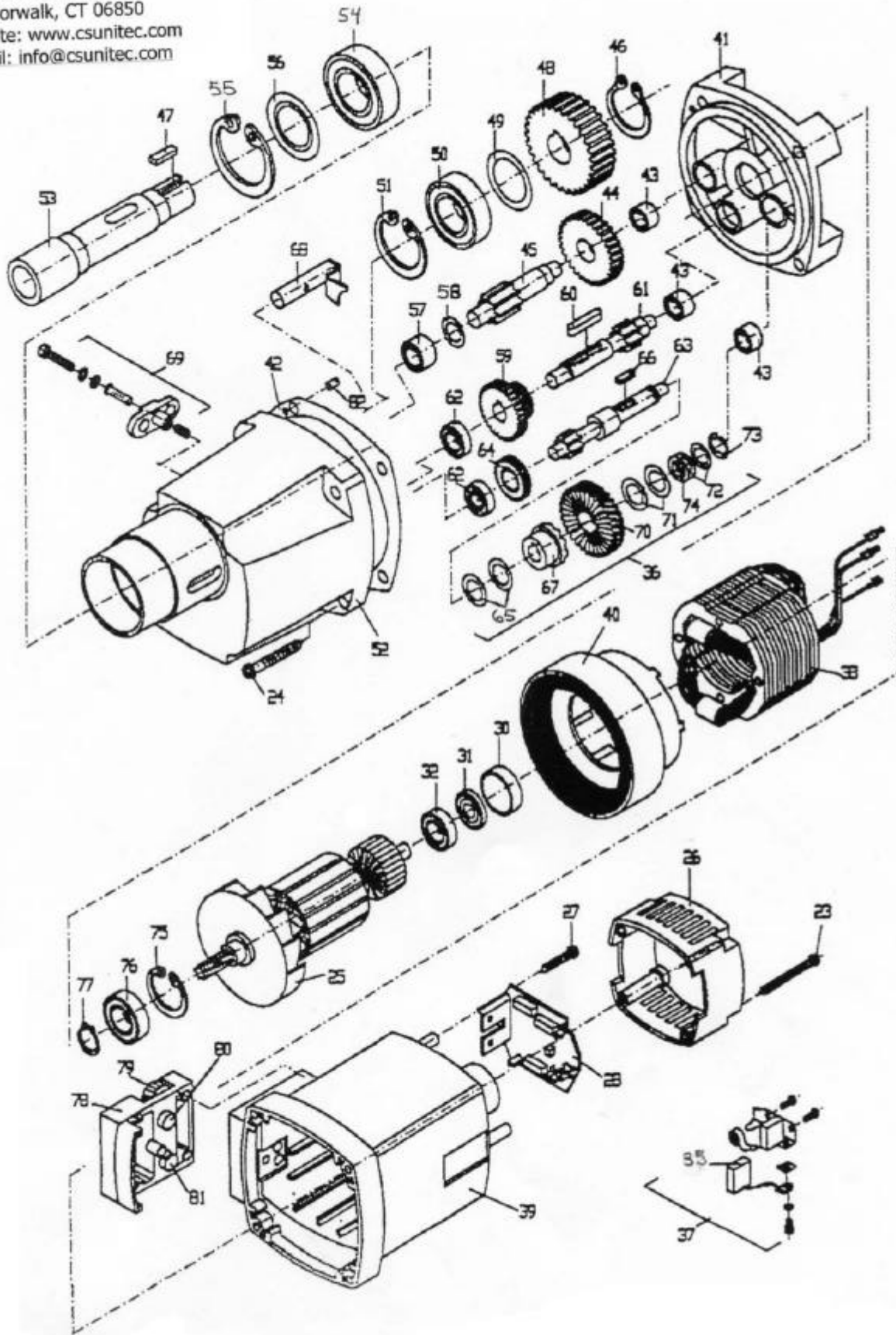


CS UNITEC, INC.

22 Harbor Avenue
Norwalk, CT 06850

Website: www.csunitec.com
Email: info@csunitec.com

EDD 100/3



Not responsible for typographical errors.

<u>POS. NO.</u>	<u>ITEM NO.</u>	<u>DESCRIPTION</u>	
	032T.0062	LED Holder	Part of Pos. No. 17a
	100.0082	Brass Rail Set (profile)	
	100.0083	Brass Rail Set (flat)	
10a	020.0101	Screw	
10b	020.0031	Cable Gland	
10d	020.0182	Screw	
14a	020.0017	Fuse	
17a	032T.0061	LED Indicator	
18 + 18a	020.0151	Magnet Spring Ball Complete	
19a	100.0606	T/S Switch Spacer	
19b	100.0611	T/S Switch Cap	
19c	100.0616	Screw	
1a	100.0006	Nut Bolt	
1b	100.0031	Washer	
1c	100.0026	Setting Screw	
1d	020.0096	Nut	
20 + 21	KSP 100	Coolant Tank Set	Replaces OIL05
22b	100.0051	Stop Pin	
22c + 22d	020.0124	Springset	
22e	020.0185	Screw, Fixing	
2a - 2g	100.0037	Swivel Base Complete	
3a	100.0046	Motor Holder - for 220 Volt	See #100.0047
3b	100.0071	Fixing Screw	
3c	100.0066	Screw for Rack	
3d	020.0106	Socket Screw	
5 + 5a	100.0081	Brass Rails-Set of Left &Right	
5b	100.0091	Top Plate	
5c	100.0096	Screw for Top Plate	
6a	020.0077	End Plate	
6b	020.0081	Screw	
7 + 7a	100.0116	Arm for Capstan	
8a	100.0126	Screw for Motor Fixing Plate	
8b	100.0131	Washer	
9 + 10c	020.0036	Power Cord	
9a	020.0041	Cable Gland	
1	100.0001	Frame	
2	100.0036	Magnet for ECO 100/3	
3	100.0041	Slide	
4	100.0076	Rack	
6	100.0101	Capstan Hub Assembly	
8	100.0122	Mixing Fixing Plate	Replaces 100.0121
10	100.0141	Rear Plate	
12	100.0003	Control Unit for ECO 100/3	
13	100.0146	Front Plate	

CS Unitec, Inc.

22 Harbor Ave, Norwalk, CT 06850

Telephone: 203-853-9522 Toll Free: 800-700-5919 Fax: 203-853-9921

WebSite: www.csunitec.com E-Mail: info@csunitec.com

Not responsible for typographical errors.

POS. NO.	ITEM NO.	DESCRIPTION	
14	020.0016	Fuse Holder	
15	020.0006	Switch, On/Off	
16	020.0011	Magnet Switch	
17	100.0152	Switch	
19	100.0304	Motor Complete with gearbox,	ECO 100/3
23	100.0306	Screw for End Cap	
24	100.0601	Notched pin	
25	100.0319	Armature	
26	100.0321	Cap for motor housing	
27	100.0311	Screw for Speed Control Unit	
28	7142B280	Circuit Board, 110 Volt for	EHB 32/2 series motors
30	100.0346	Armature Speed Disc	
31	100.0348	Armature Speed Disc	
32	032.0126	Bearing	
35	100.0368	Carbon Brush Set	
37	100.0372	Carbon Brush Assembly	
38	100.0384	Field	
39	100.0388	Housing	
40	100.0391	Ring, air guiding	
41	100.0401	Gearing, end shield	
42	100.0458	Gasket	
43	100.0411	Needle Bearing	8 x 15 x 10
44	100.0416	Gear	
45	100.0421	Intermediate Shaft	
46	100.0426	Circlip	
47	100.0431	Key	
48	100.0436	Gear, Drive shaft	
49	100.0441	Washer, Fitting	
50	100.0446	Bearing	
51	100.0451	Circlip	
52	100.0456	Gear Housing Complete	
53	100.0461	Drive Shaft	
54	100.0466	Bearing	
55	100.0471	Circlip	
56	100.0476	Washer	
57	100.0481	Needle Bearing	
58	100.0486	Washer for needle bearing	
59	100.0491	Gear - 2 Speed	
60	100.0496	Key	
61	100.0501	Gear Shaft	
62	100.0506	Bearing	
63	100.0511	Intermediate Shaft 1	
64	100.0516	Gear	
65	100.0521	Spring	28/12.2 x 1

CS Unitec, Inc.

22 Harbor Ave, Norwalk, CT 06850

Telephone: 203-853-9522 Toll Free: 800-700-5919 Fax: 203-853-9921

WebSite: www.csunitec.com E-Mail: info@csunitec.com

Not responsible for typographical errors.

POS. NO.	ITEM NO.	DESCRIPTION	
66	100.0526	Key	
67	100.0531	Clutch	
68	100.0536	Clutch Shaft	
69	71540545	Gear Switch	Replaces 040.0286
70	100.0547	Gear, First	
71	100.0551	Shell	
72	100.0556	SEE # 80200503	
73	100.0561	Safety Washer	
74	100.0406	Washer	
75	100.0581	C-Clip	
76	80410031	Bearing	Replaces 032.0171
77	100.0571	C-Clip	
78	100.0568	T/S Switch Housing	
79	100.0590	T/S Switch Wheel	
80	100.0592	Torque Switch	
81	100.0597	Speed Switch	
82	100.0549	Casing Pin	
83	100.0621	Plate for Gear Casing	

CS Unitec, Inc.

22 Harbor Ave, Norwalk, CT 06850

Telephone: 203-853-9522 Toll Free: 800-700-5919 Fax: 203-853-9921

WebSite: www.csunitec.com E-Mail: info@csunitec.com