

# **Pneumatic Sabre Saw**

## **Type 5 1217 0020**

**Techn. Doc. No. 552**



Illustration can differ from the original

# **Repair Manual and Spare Parts List**

Updated 07/20/2017

### Spare Parts List

Description: <b>Pneumatic Sabre Saw</b>	Part and drawing number: <b>5 1217 0020</b>
--	--

Item	Qty.	Description	Part and drawing number	Remarks
	1	Motor, assy.	5 1217 1000	see extra list
	1	Handle, assy.	5 1216 6000	see extra list
	1	Gearbox head	5 1216 4000	see extra list
	1	Performance Kit	5 1217 9990	

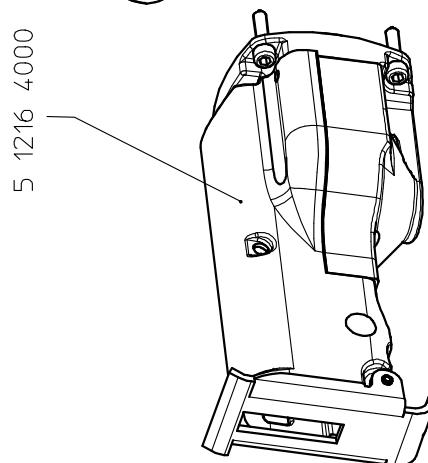
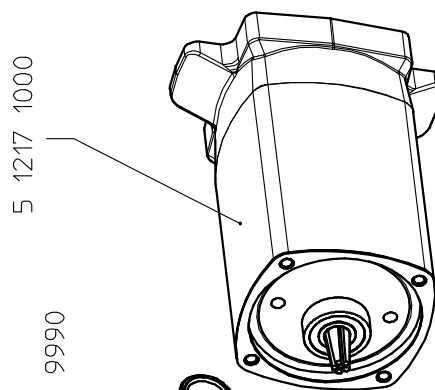
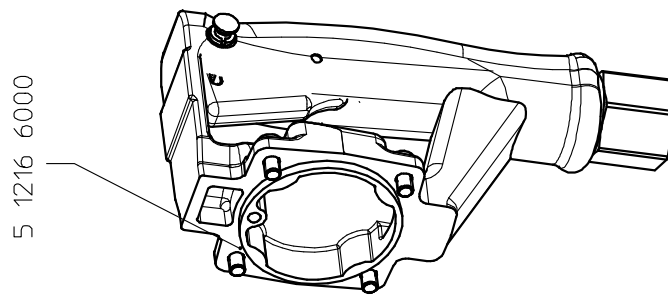
### Spare Parts List

Description:

**Pneumatic Sabre Saw**

Part and drawing number:

**5 1217 0020**



<b>Spare Parts List</b>					
Description:			Part and drawing number:		
<b>Motor</b>			<b>5 1217 1000</b>		
Item	Qty.	Description	Part and drawing number		Remarks
1	1	Motor housing	5 1216 1010		
2	1	Sound absorber pipe	5 1216 1710		
3	1	End plate	1 1430 1110	*	
4	1	Grooved ball bearing	9 1003 0010	*	
5	1	Snap ring	9 1703 0050		
6	1	Spacer ring	1 1430 1080	*	
7	1	Cylinder bushing	5 6030 1020		
8	1	Brace	9 1630 1060		
9	1	Brace	9 1630 1060		
10	1	Rotor	5 1217 1030		
11	5	Vane	5 1216 1050	*	
12	1	End plate	5 6030 1100	*	
13	1	Grooved ball bearing	9 1003 0370	*	
14	1	Snap ring	9 1703 0070		
15	1	Spacer ring	5 1202 1080		
16	1	O-ring	9 1901 4950	*	
17	1	Motor cover	5 1216 1120		
19	1	Sealing	5 1218 4190	*	
20	1	Pinion	5 1216 4170		
21	1	Grooved ball bearing	9 1003 0470	*	
		* Wear parts to be stored in case of continuous use			

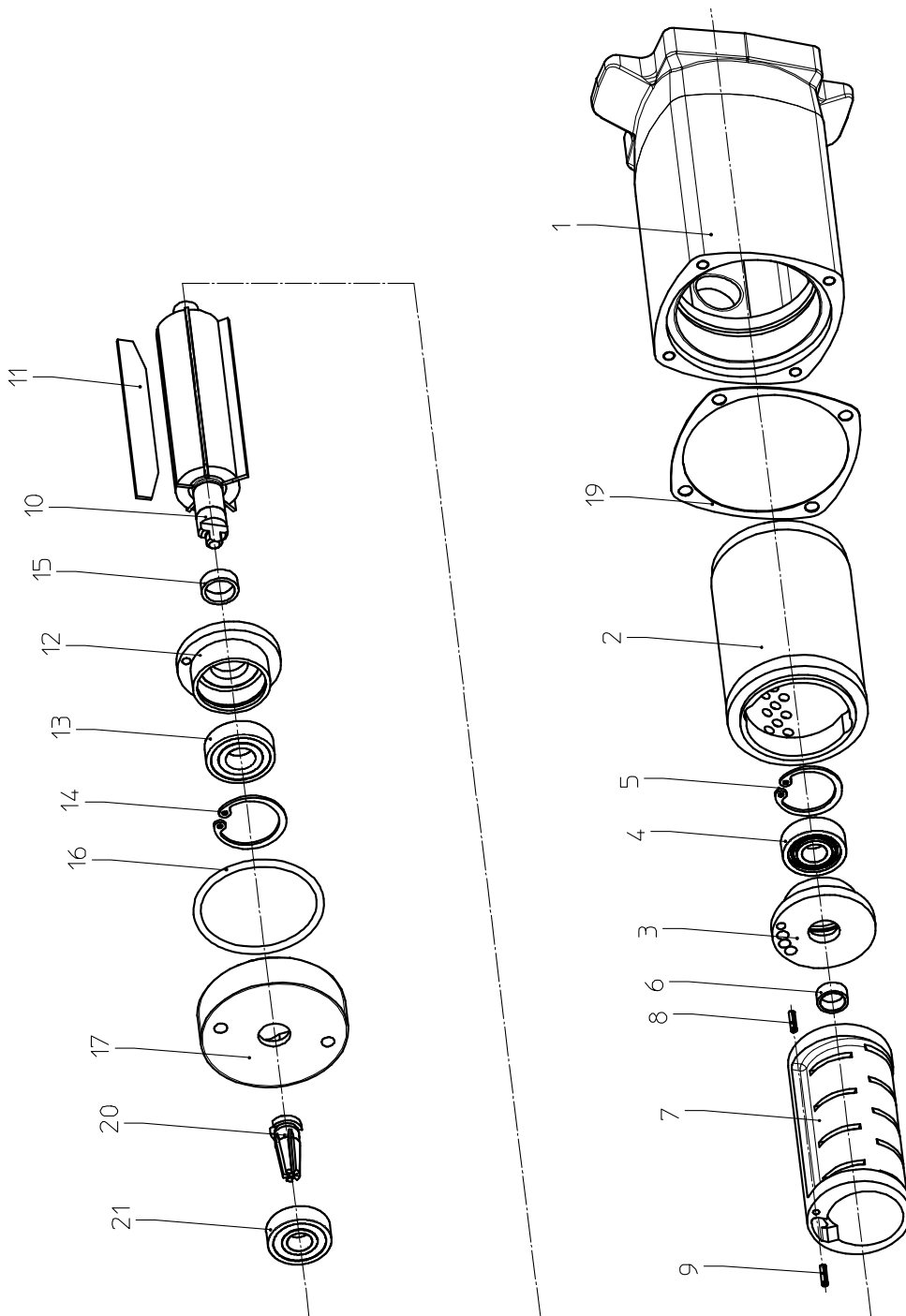
### Spare Parts List

Description:

**Motor**

Part and drawing number:

**5 1217 1000**





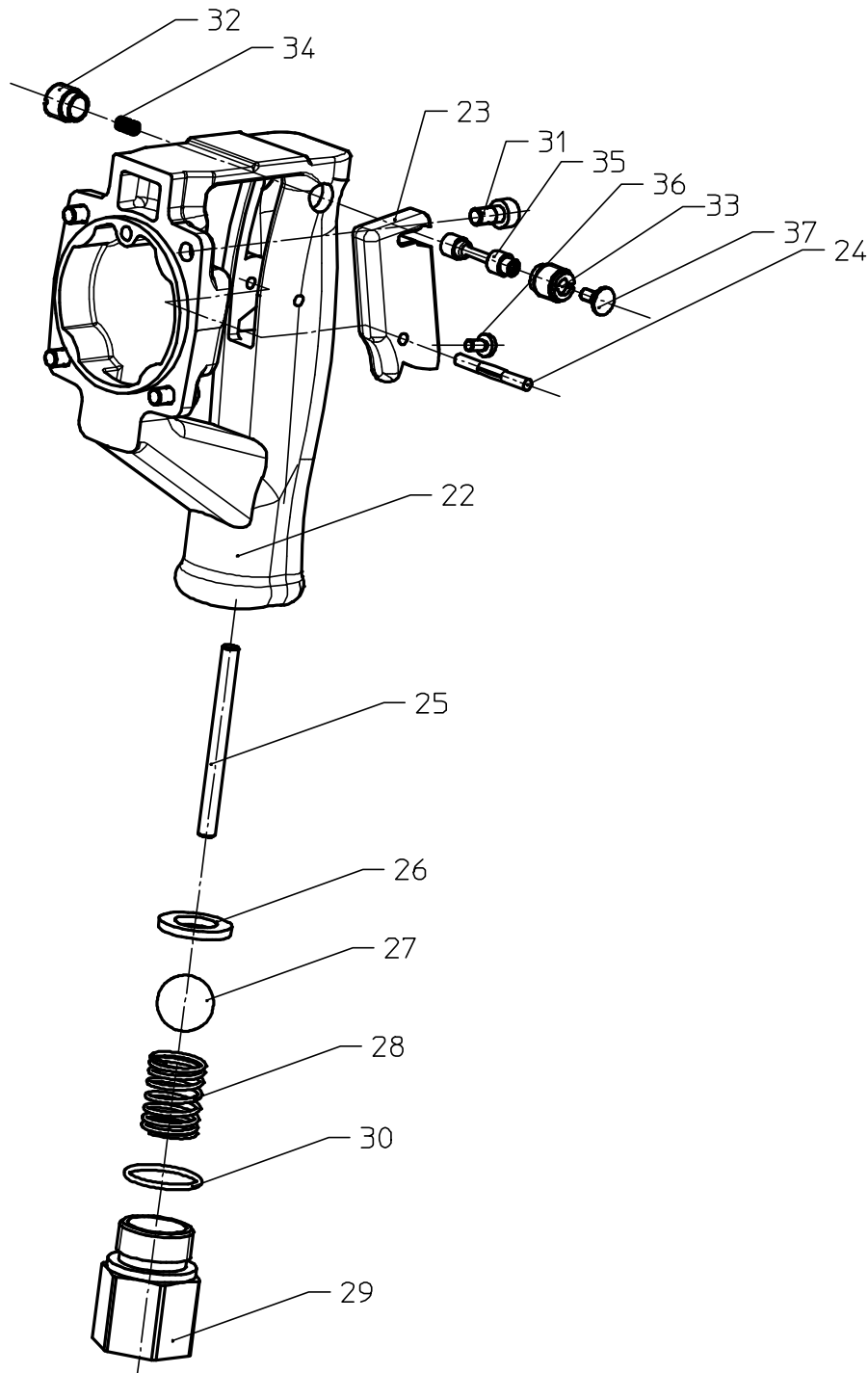
### Spare Parts List

Description:

**Handle**

Part and drawing number:

**5 1216 6000**



<b>Spare Parts List</b>						
Description:				Part and drawing number:		
<b>Gearbox head</b>				<b>5 1216 4000</b>		
Item	Qty.	Description	Part and drawing number		Remarks	
1	1	Protective cover	5 1216 9010	*		
2	5	Socket head screw	9 1110 3120			
3	1	Saw blade pressure piece, assy.	5 1216 7920		with item 4	
4	1	Spiral pin (centring pin)	9 1642 0220			
5	1	Lift rod	5 1216 4260			
6	3	Socket head screw	9 1110 1040			
7	1	Gate	5 1216 4310			
8	1	Sealing	5 1216 4320	*		
9	1	Gear part 2	5 1216 4010			
10	2	Cylinder pin	9 1631 0150			
11	1	Needle bearing	9 1013 0450			
13	1	Socket head screw	9 1110 3080			
14	1	Spring pressure piece	9 1810 0080			
15	1	Supporting shoe	5 1216 7070			
16	1	Pin	9 1630 0870			
17	1	Sliding roller	5 1216 4180			
18	1	Pressure spring	9 1803 4360			
19	1	Steel ball	9 1017 0050			
22	1	Bevel gear wheel, assy.	5 1216 4930		with items 23, 24	
23	1	Needle sleeve	9 1014 0230			
25	1	Axial thrust bearing	9 1024 0400			
26	1	Axial disc	9 1024 0410			
27	4	Socket head screw	9 1110 3100			
28	1	Gear part 1	5 1216 4920		with item 30	
29	1	O-ring	9 1921 1430	*		
120	1	Roller guide	5 1216 4370			
122	2	Needle bearing with axle and shaft	5 1216 4970		with items 121, 123	
124	1	Roller holder, assy.	5 1216 4410		Items 121-123	
125	1	External ring	5 1216 4480			
126	1	Needle sleeve	9 1014 0120			
		* Wear parts to be stored in case of continuous use				



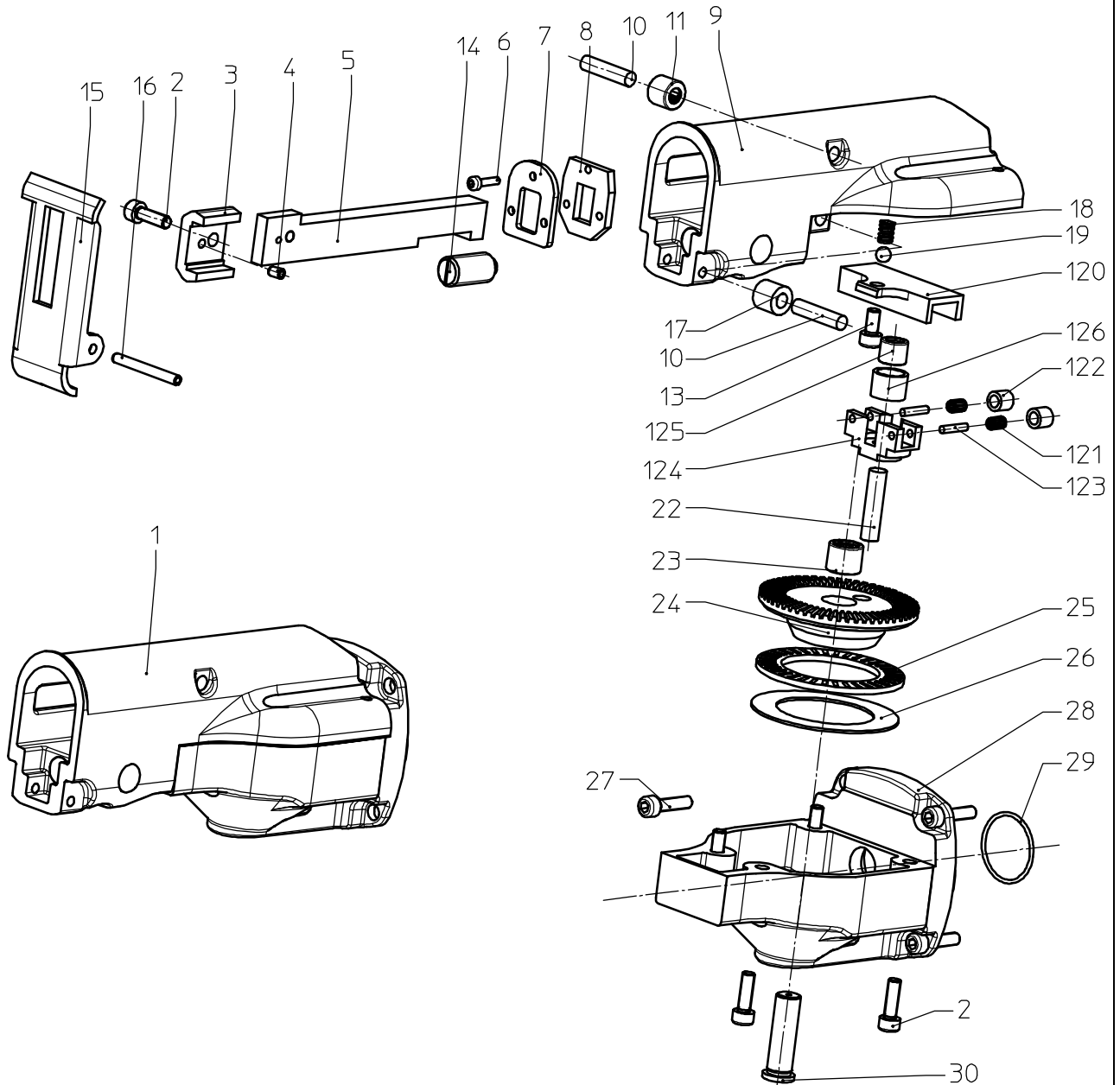
### Spare Parts List

Description:

**Gearbox head**

Part and drawing number:

**5 1216 4000**





CS Unitec, Inc.  
22 Harbor Ave, Norwalk, CT 06850  
USA

Toll-free: 1-800-700-5919  
(USA & Canada)  
Phone: 203-853-9522  
(outside USA & Canada)  
Fax: 203-853-9921  
E-Mail: [info@csunitec.com](mailto:info@csunitec.com)  
Internet: [www.csunitec.com](http://www.csunitec.com)