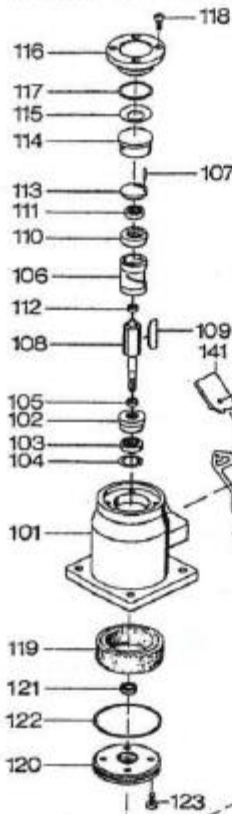
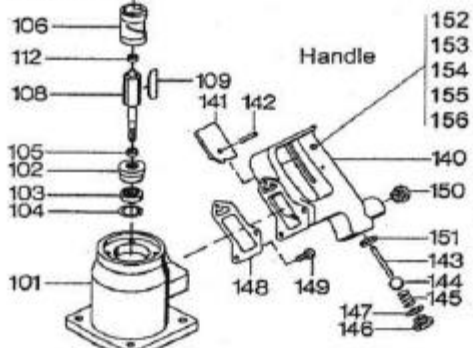


AirBand Saw 5 6003 0010

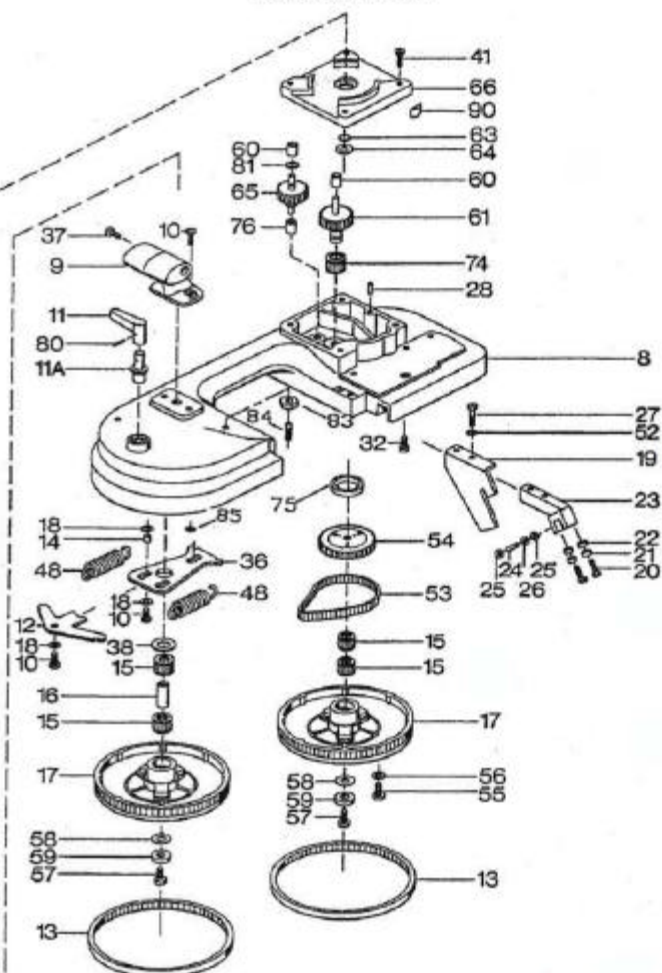
Pneumatic Motor



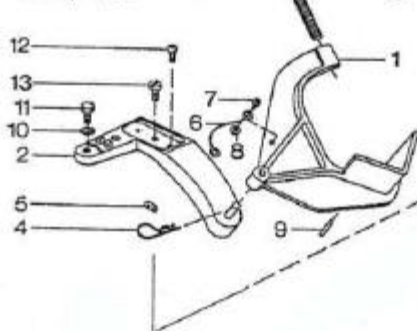
Handle



Band Saw Head



Clamp Vice



CS UNITEC, INC.

22 Harbor Avenue
Norwalk, CT 06850
Website: www.csunitec.com
Email: info@csunitec.com

Not responsible for typographical errors.

<u>POS. NO</u>	<u>ITEM NO</u>	<u>DESCRIPTION</u>
	5 6003 0020 N	Motor for AirBand Saw
	5 6003 0020 N	Motor for AirBand Saw
	5 6003 6000	Handle Complete
	5 6003 7000	Band Saw head Complete
	5 6003 7000	Band Saw head Complete
11A	5 6003 7030	Tension Shaft
23A	5 6003 7910	Blade Guide Assembly, Complet includes 5 6003 7120
	5 6003 9099	Carrying Case for AirBand Saw
118 + 123	9 1112 3030	Screw, Fillister Head
	9 3325 0870	Washer
8	5 6003 7010	Pulley Housing- GREEN!
9	5 6003 6900	Knob Set
10	9 1164 0410	Screw
11	5 6003 7020	Tension Lever
12	5 6003 7040	Yoke
13	5 6003 7050	Pulley Tire
14	5 6003 7060	Bushing
15	9 1029 0160	Bearing
16	5 6003 7080	Pulley shaft
17	5 6003 7090	Pulley
18	9 3325 0820	Washer
19	5 6003 7100	Stop
20	9 1164 0420	Screw
21	5 6003 7110	Blade Guide for # 5 6003 0010 and 5 6004 0010, 4-3/4" Saws
22	9 1029 0190	Blade Guide Bearing
23	5 6003 7120	Blade Guide Holder
24	9 1637 1740	Pin
25	9 3325 0830	Washer
26	9 1029 0200	Blade Guide Bearing
27	9 1164 0430	Screw
28	9 1637 1750	Pin
32	9 1164 0490	Screw
36	5 6003 7940	Plate Complete-Old#56003 7130
37	9 1164 0440	Screw
41	9 1164 0460	Screw
48	9 1808 0240	Tension Spring
52	9 3314 0230	Lock Washer
53	5 6003 7140	Chain
54	5 6003 7150	Driven Sprocket
55	9 1164 0470	Screw
56	9 3314 0250	Lock Washer
57	9 1164 0480	Screw
58	9 3325 0840	Washer
59	9 3325 0850	Washer

CS Unitec , Inc.

22 Harbor Ave, Norwalk, CT 06850

Telephone: 203-853-9522 Toll Free: 800-700-5919 Fax: 203-853-9921

WebSite: www.csunitec.com E-Mail: info@csunitec.com

Not responsible for typographical errors.

<u>POS. NO</u>	<u>ITEM NO</u>	<u>DESCRIPTION</u>	
60	9 1029 0170	Bearing	OLD # 9 2029 0170
61	5 6003 4910	Gear & Sprocket Assembly	
63	9 1901 9770	O Ring	
64	5 6003 7160	Slinger	
65	5 6003 4040	Intermediate Gear	
66	5 6003 4930	Intermediate Plate Assembly	
74	9 1013 0390	Needle Bearing	
75	9 1908 1130	Sealing	
76	9 1929 0180	Bearing	
80	9 1637 1760	Pin	
81	9 3325 0860	Washer	
83	5 6003 7170	Nut, T2	
84	5 6003 7180	Set Screw, T2	
85	9 1702 0020	Snap Ring	
90	5 6003 9150	Cover	
101	5 6003 1910	Motor Housing	
102	5 6003 1100	End Plate	
103	9 1001 0050	Grooved Ball Bearing	
104	9 1703 0040	Ring, snap	
105	2 2404 1080	Spacer/shim	
106	3 8636 1020	Cylinder Bushing	
107	9 1619 0700	Pin	
108	5 6003 1030	Rotor	
109	3 8601 1050	Vane (5 Required)	
110	2 2404 1110	End Plate	
111	9 1001 0030	Grooved Ball Bearing	(ref 100.587 NS)
112	1 1101 1090	Spacer/Shim	
113	3 8636 1120	Cover	
114	5 6003 1180	Cap	
115	9 1801 0400	Spring, Belleville	
116	5 6003 1130	Motor Cover	
117	9 1901 2370	O Ring	
119	1 2034 6100	Sound Absorber	
120	5 6003 1150	Motor Cover	
121	9 1905 0250	Sealing ring SEE # 111 368	
122	9 1901 2430	O Ring	
140	5 6003 6010	Handle	
141	5 6003 3040	Valve Trigger	
142	9 1641 0020	Pin, Notched	
143	9 1637 1730	Pin, cylindrical	
144	9 1017 0080	Ball	
145	9 1803 0250	Spring, Compression	
146	9 1171 9060	Screw Plug	
147	9 1901 3230	O Ring	

CS Unitec , Inc.

22 Harbor Ave, Norwalk, CT 06850

Telephone: 203-853-9522 Toll Free: 800-700-5919 Fax: 203-853-9921

WebSite: www.csunitec.com E-Mail: info@csunitec.com

Not responsible for typographical errors.

<u>POS. NO</u>	<u>ITEM NO</u>	<u>DESCRIPTION</u>	
148	5 6003 6060	Sealing	
149	9 1112 4020	Screw	4-30-33-064-06-6
150	9 2203 0210	Nipple	Old No. 9 2203 0180
151	9 1903 0160	Sealing	
152	5 6011 3170	Guiding Bushing	
153	5 6011 3150	Lock Bolt	
154	9 1803 3360	Compression Spring	
155	5 6011 3160	Bushing	
156	9 1166 0170	Screw	

CS Unitec , Inc.

22 Harbor Ave, Norwalk, CT 06850

Telephone: 203-853-9522 Toll Free: 800-700-5919 Fax: 203-853-9921

WebSite: www.csunitec.com E-Mail: info@csunitec.com