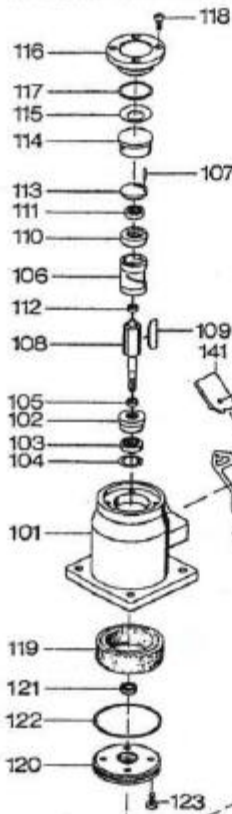
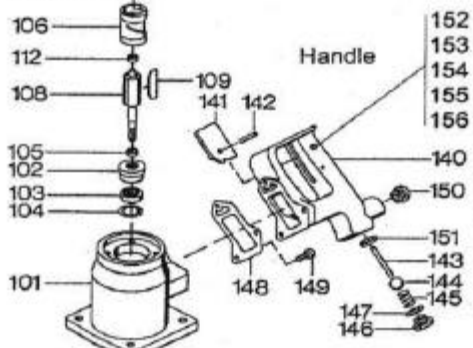


AirBand Saw 5 6003 0010

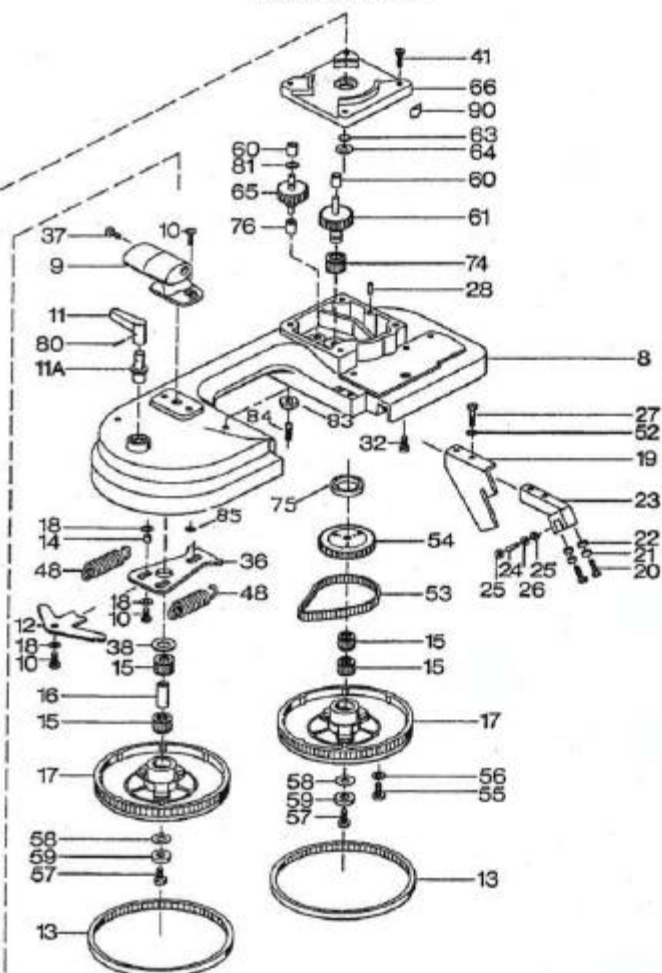
Pneumatic Motor



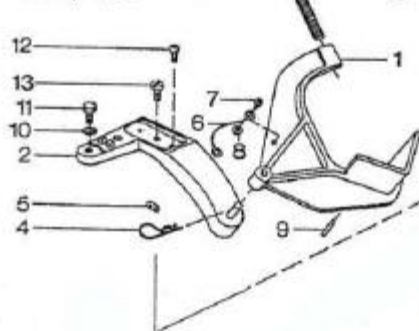
Handle



Band Saw Head



Clamp Vice



CS UNITEC, INC.

22 Harbor Avenue
Norwalk, CT 06850
Website: www.csunitec.com
Email: info@csunitec.com

Not responsible for typographical errors.

POS. NO	ITEM NO	DESCRIPTION
	5 6003 0020 N	Motor for AirBand Saw
	5 6003 0020 N	Motor for AirBand Saw
	5 6003 6000	Handle Complete
	5 6003 7000	Band Saw head Complete
	5 6003 7000	Band Saw head Complete
11A	5 6003 7030	Tension Shaft
23A	5 6003 7910	Blade Guide Assembly, Complete includes 5 6003 7120
	5 6003 9099	Carrying Case for AirBand Saw
118 + 123	9 1112 3030	Screw, Fillister Head
	9 3325 0870	Washer
8	5 6003 7010	Pulley Housing- GREEN!
9	5 6003 6900	Knob Set
10	9 1164 0410	Screw
11	5 6003 7020	Tension Lever
12	5 6003 7040	Yoke
13	5 6003 7050	Pulley Tire
14	5 6003 7060	Bushing
15	9 1029 0160	Bearing
16	5 6003 7080	Pulley shaft
17	5 6003 7090	Pulley
18	9 3325 0820	Washer
19	5 6003 7100	Stop
20	9 1164 0420	Screw
21	5 6003 7110	Blade Guide for # 5 6003 0010 and 5 6004 0010, 4-3/4" Saws
22	9 1029 0190	Blade Guide Bearing
23	5 6003 7120	Blade Guide Holder
24	9 1637 1740	Pin
25	9 3325 0830	Washer
26	9 1029 0200	Blade Guide Bearing
27	9 1164 0430	Screw
28	9 1637 1750	Pin
32	9 1164 0490	Screw
36	5 6003 7940	Plate Complete-Old#56003 7130
37	9 1164 0440	Screw
38	9 3325 0870	Washer
41	9 1164 0460	Screw In Position 41
48	9 1808 0240	Tension Spring See 9 1801 0240
52	9 3314 0230	Lock Washer
53	5 6003 7140	Chain
54	5 6003 7150	Driven Sprocket
55	9 1164 0470	Screw
56	9 3314 0250	Lock Washer
57	9 1164 0480	Screw
58	9 3325 0840	Washer
59	9 3325 0850	Washer

CS Unitec , Inc.

22 Harbor Ave, Norwalk, CT 06850

Telephone: 203-853-9522 Toll Free: 800-700-5919 Fax: 203-853-9921

WebSite: www.csunitec.com E-Mail: info@csunitec.com

Not responsible for typographical errors.

POS. NO	ITEM NO	DESCRIPTION
	60 9 1029 0170	Bearing
	61 5 6003 4910	Gear & Sprocket Assembly
	63 9 1901 9770	O Ring
	64 5 6003 7160	Slinger
	65 5 6003 4040	Intermediate Gear
	66 5 6003 4930	Intermediate Plate Assembly
	74 9 1013 0390	Needle Bearing
	75 9 1908 1130	Sealing
	76 9 1929 0180	Bearing
	80 9 1637 1760	Pin
	81 9 3325 0860	Washer
	83 5 6003 7170	Nut, T2
	84 5 6003 7180	Set Screw, T2
	85 9 1702 0020	Snap Ring
	90 5 6003 9150	Cover
	101 5 6003 1910	Motor Housing
	102 5 6003 1100	End Plate
	103 9 1001 0050	Grooved Ball Bearing
	104 9 1703 0040	Ring, snap
	105 2 2404 1080	Spacer/shim
	106 3 8636 1020	Cylinder Bushing
	107 9 1619 0700	Pin
	108 5 6003 1030	Rotor
	109 3 8601 1050	Vane (5 Required)
	110 2 2404 1110	End Plate
	111 9 1001 0030	Grooved Ball Bearing (ref 100.587 NS)
	112 1 1101 1090	Spacer/Shim
	113 3 8636 1120	Cover
	114 5 6003 1180	Cap
	115 9 1801 0400	Spring, Belleville
	116 5 6003 1130	Motor Cover
	117 9 1901 2370	O Ring
	119 1 2034 6100	Sound Absorber
	120 5 6003 1150	Motor Cover
	121 9 1905 0250	Sealing ring SEE # 111 368
	122 9 1901 2430	O Ring
	140 5 6003 6010	Handle
	141 5 6003 3040	Valve Trigger
	142 9 1641 0020	Pin, Notched
	143 9 1637 1730	Pin, cylindrical
	144 9 1017 0080	Ball
	145 9 1803 0250	Spring, Compression
	146 9 1171 9060	Screw Plug
	147 9 1901 3230	O Ring

CS Unitec , Inc.

22 Harbor Ave, Norwalk, CT 06850

Telephone: 203-853-9522 Toll Free: 800-700-5919 Fax: 203-853-9921

WebSite: www.csunitec.com E-Mail: info@csunitec.com

Not responsible for typographical errors.

POS. NO	ITEM NO	DESCRIPTION
148	5 6003 6060	Sealing
149	9 1112 4020	Screw
150	9 2203 0210	Nipple 4-30-33-064-06-6
151	9 1903 0160	Sealing Old No. 9 2203 0180
152	5 6011 3170	Guiding Bushing
153	5 6011 3150	Lock Bolt
154	9 1803 3360	Compression Spring
155	5 6011 3160	Bushing
156	9 1166 0170	Screw

CS Unitec , Inc.

22 Harbor Ave, Norwalk, CT 06850

Telephone: 203-853-9522 Toll Free: 800-700-5919 Fax: 203-853-9921

WebSite: www.csunitec.com E-Mail: info@csunitec.com