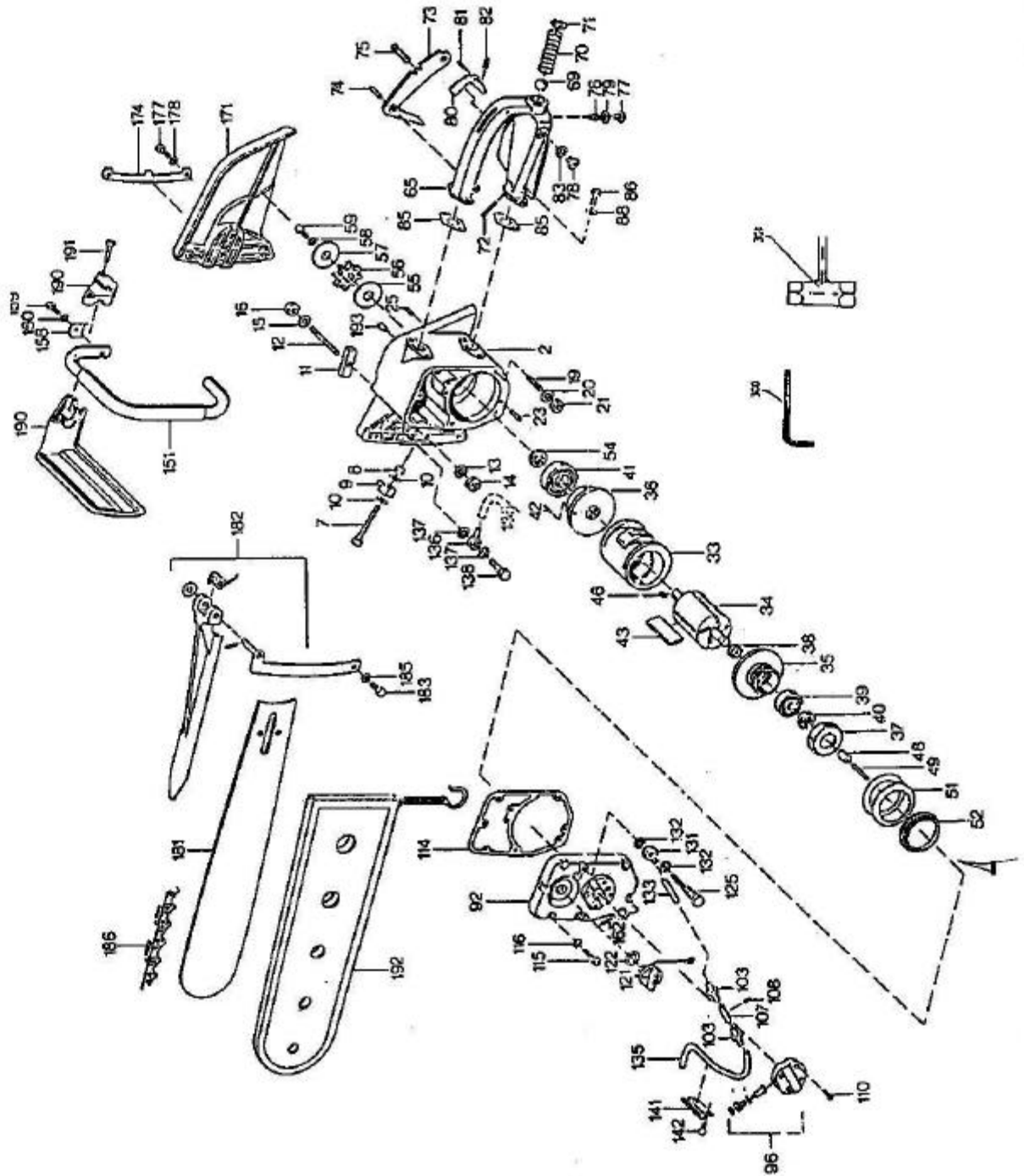


CS UNITEC Inc.
Tel: 203-853-9522 Toll free: 800-700-5919 Fax: 203-853-9921

PNEUMATIC CHAIN SAWS
Model Nos. 5 1007-0010 -0020 -0040
5 1008-0030 -0040



*Prices to change without notice.
Not responsible for typographical errors.*

<u>POS. NO.</u>	<u>ITEM NO.</u>	<u>DESCRIPTION</u>	
	9 2550 0010	Round File, Replacement	
	9 2550 0030	File Holder with 2 Round Files	
13 + 15	9 3314 0050	Washer, Spring	
131 + 136	5 1006 5100	Nipple	Old # 5 1003 5100
132 + 136	9 1903 0710	Sealing Ring	
58 + 160	9 3312 0030	Washer, spring	
88 + 116 + 178	9 3314 0070	Washer, Spring	
2	5 1003 1919	Motor Housing	Replaces # 5 1003 1910
2	5 1005 1910	Motor Housing	for Underwater Wood Chain Saw
7	9 1110 4270	Fillister Head Screw	Old # 9 1115 4080
8	9 1210 0030	Nut	
9	9 1223 0290	Square Nut w/ Journal	
10	9 3314 0040	Washer, spring	
11	5 1003 7050	Locating Key, Bar Guide	
12	9 1152 9130	Mounting Bolt	
14	9 1210 0020	Nut	
16	9 1222 0270	Nut	
19	9 1127 5040	Screw	
20	9 3314 0060	Washer, Spring	
21	9 1203 0050	Nut Hexagon	See # 251 048
23	9 1624 0190	Pin	
25	9 1625 0030	Slotted Pin	
33	5 1003 1020	Cylinder Bushing	
34	5 1007 1920	Rotor Complete	
35	5 1003 1110	Rear End Plate	
36	5 1003 1100	End Plate	
37	9 1225 0060	Union Nut	
38	5 1003 1090	Shim	
39	9 1009 0080	Bearing	
40	9 1224 0020	Nut	
41	9 1005 0090	Bearing	
42	9 1626 0060	Grooved Pin	4-02-47-007-00-6
43	5 1007 1050	Vane	
46	9 1501 3450	Feather Key	
48	5 1003 5030	Toggle piece	
49	9 1631 0140	Pin	
51	9 1802 0010	Spring, Belleville	
52	5 1003 1120	Shim	
54	5 1003 1080	Shim	
55	5 1003 7060	Guard Plate	
56	5 1003 7070	Sprocket	
57	5 1003 7080	Washer	
59	9 1107 5110	Screw	

CS Unitec, Inc.

22 Harbor Ave, Norwalk, CT 06850

Telephone: 203-853-9522 Toll Free: 800-700-5919 Fax: 203-853-9921

WebSite: www.csunitec.com E-Mail: info@csunitec.com

*Prices to change without notice.
Not responsible for typographical errors.*

POS. NO.	ITEM NO.	DESCRIPTION	
65	5 1007 6000	Handle	Old # 5 1005 6000
69	9 1018 0120	Ball	3-13-05-337-00-5
70	9 1803 3490	Spring	REPLACES OLD # 9 1803 0730
71	9 1703 0020	Ring, Snap	
72	9 1619 0480	Pin	
73	5 1006 3030	Lever	
74	9 1619 0350	Pin	
75	9 1803 0740	Spring	
76	9 1151 9010	Screw	3-13-05-209-00-4
77	9 1150 9020	Filler Plug, Old # 9 1150 9070	3-13-05-208-00-0
78	9 1150 9030	Screw	3-13-05-211-00-5
79	9 1903 0260	Sealing Ring	3-13-05-210-00-6
80	5 1006 3040	Safety Lever	
81	9 1619 1210	Pin, Cylindrical	
82	9 1803 2640	Spring	
83	9 1903 0340	Sealing ring	3-13-05-212-00-8
85	9 1908 0110	Sealing	Flange Gasket
86	9 1107 4080	Screw	
92	5 1003 5050	Cover	
96	5 1003 5920	Upper Pump Parts	
103	5 1003 5930	Valve	
107	9 3606 0020	Hose	
108	5 1003 5080	Pump Cam	
110	9 1114 2030	Screw	
114	9 1908 0120	Sealing	
115	9 1115 4090	Screw	
121	9 1150 9380	Filler Plug	
122	9 1901 4070	O Ring	
125	5 1003 5090	Oil Nozzle Screw	
133	9 3606 0030	Hose	
135	9 3606 0040	Hose	
138	5 1003 5110	Female Screw	
141	5 1003 5120	Clamping Ring	
142	9 1115 2050	Screw	
151	5 1006 6910	Handle	
158	5 1003 6020	Plate	
159	9 1107 5170	Screw	
162	9 1630 0180	Adapter Sleeve	
171	5 1006 7090	Sprocket Guard	Old No. 5 1003 7090
174	5 1003 7100	Alignment Bracket	
177	9 1107 4030	Screw	
181	5 1005 7120	17" Armour Tip Bar	
181	5 1005 7130	21" Armour Tip Bar	

CS Unitec, Inc.

22 Harbor Ave, Norwalk, CT 06850

Telephone: 203-853-9522 Toll Free: 800-700-5919 Fax: 203-853-9921

WebSite: www.csunitec.com E-Mail: info@csunitec.com

*Prices to change without notice.
Not responsible for typographical errors.*

POS. NO.	ITEM NO.	DESCRIPTION
181	5 1007 7140	25" Armour Tip Bar
182	5 1006 9910	Chain Guard, Complete
185	9 3312 0020	Lock Washer
186	5 1007 9930	17" Saw Chain
186	5 1007 9935	21" Saw Chain
186	5 1007 9940	25" Saw Chain
186	5 1007 CC20	17" Carbide Chain
186	5 1007 CC40	21" Carbide Chain
186	5 1007 CC60	25" Carbide Chain
190	5 1005 6920	Hand Protection
191	9 1135 9050	Screw
192	5 1003 9060	Chain Guard, Plastic
193	5 1006 7130	Bolt
194	9 2209 0150	ELBOW- 3/4" Brass
195	9 1226 0020	Nut
196	9 3401 0060	Plug
301	9 1122 9040	Bolt
301	9 1316 0080	Combi Wrench
600	5 1007 9830	Sprocket Guard

CS Unitec, Inc.

22 Harbor Ave, Norwalk, CT 06850

Telephone: 203-853-9522 Toll Free: 800-700-5919 Fax: 203-853-9921

WebSite: www.csunitec.com E-Mail: info@csunitec.com