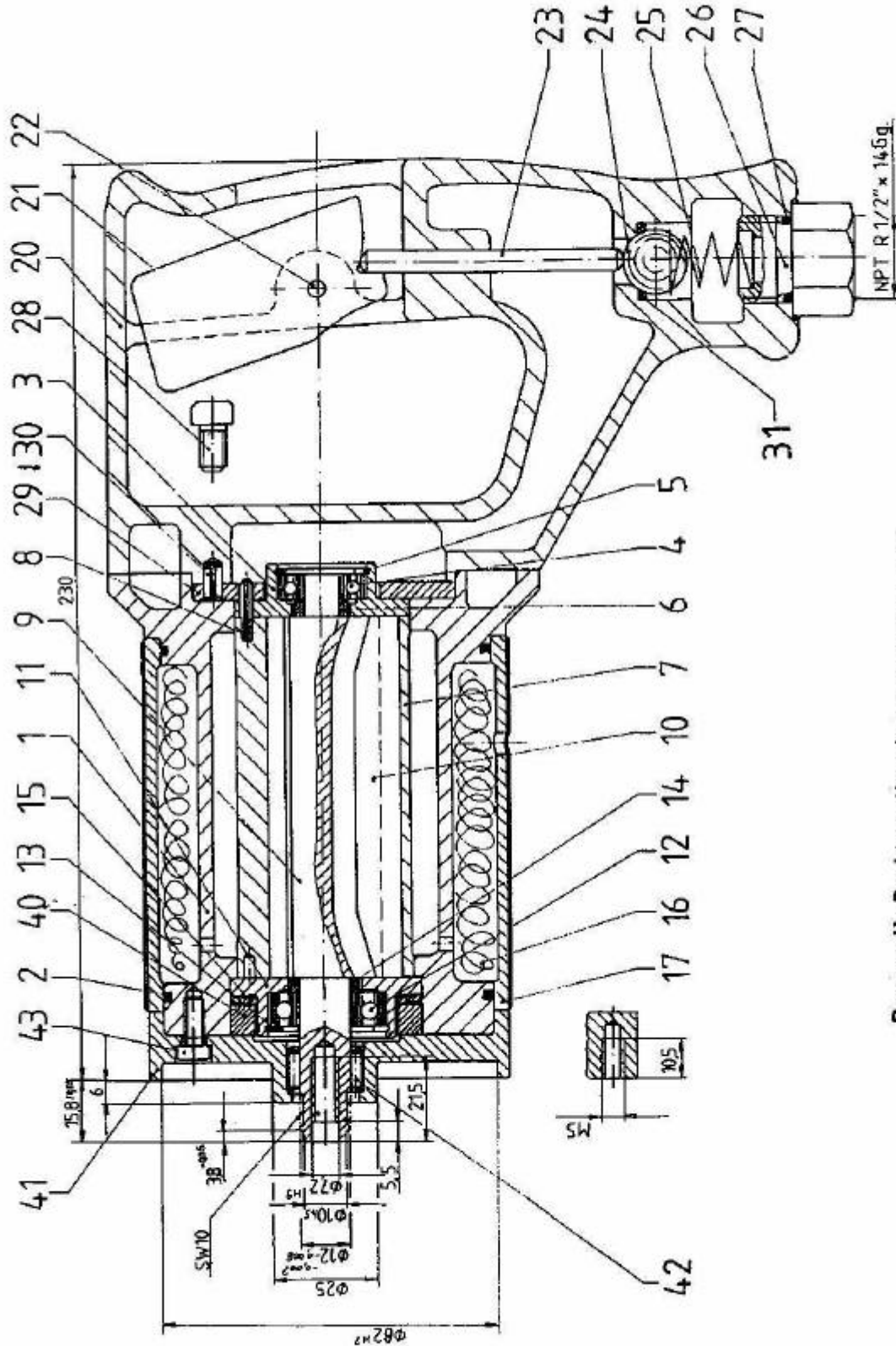


**CS UNITEC, INC.**  
 22 Harbor Avenue  
 Norwalk, CT 06850  
 Website: [www.csunitec.com](http://www.csunitec.com)  
 Email: [info@csunitec.com](mailto:info@csunitec.com)



**Pneumatic Reciprocating Saw Motor Parts List**  
**Models: 5 0005 0010, 0020 & 0060**

*Prices to change without notice.  
Not responsible for typographical errors.*

<b>POS. NO.</b>	<b>ITEM NO.</b>	<b>DESCRIPTION</b>	
	2 1311 6000	Handle Complete	Pos. # 20-28 & 31
1	5 6005 1010	Motor Housing	
2	9 1901 3100	O-Ring	
3	2 2405 1100	End Plate	
4	9 1001 0040	Bearing	
5	9 1703 0030	Snap Ring	
6	5 6101 1080	Shim	
7	1 1430 1020	Cylinder Bushing	3-26-24-086-02-4
8	9 1630 0770	Pin	
9	5 6005 1030	Rotor	
10	5 6101 1050	Vane (5 Required)	
11	5 6101 1100	End Plate	
12	9 1003 0020	Bearing	4-17-01-007-05-0
13	9 1703 0070	Ring, Snap	4-26-16-027-009
14	1 2401 1080	Shim	
15	9 1802 0330	Felt Plate	
16	1 2034 6100	Sound Absorber	
17	5 6005 1120	Drive Case	
20	2 1311 6010	Handle	
21	2 2404 3040	Pusher	
22	9 1641 0020	Pin, Notched	
23	9 1637 1730	Pin, cylindrical	
24	9 1017 0080	Ball	
25	9 1803 0250	Spring, Compression	
26	9 2205 0560	Nipple	
27	9 1901 3230	O Ring	
28	9 1110 4010	Screw	
29	5 6005 1280	End Plate	
30	9 1630 0140	Clip	Replaces # 9 1626 0070
31	9 1903 0160	Sealing	
40	5 6005 1380	Pressure Ring	
41	5 6005 7210	Flange Plate	
42	9 1014 0150	Needle Case	
43	9 1112 3030	Screw, Fillister Head	

CS Unitec, Inc.

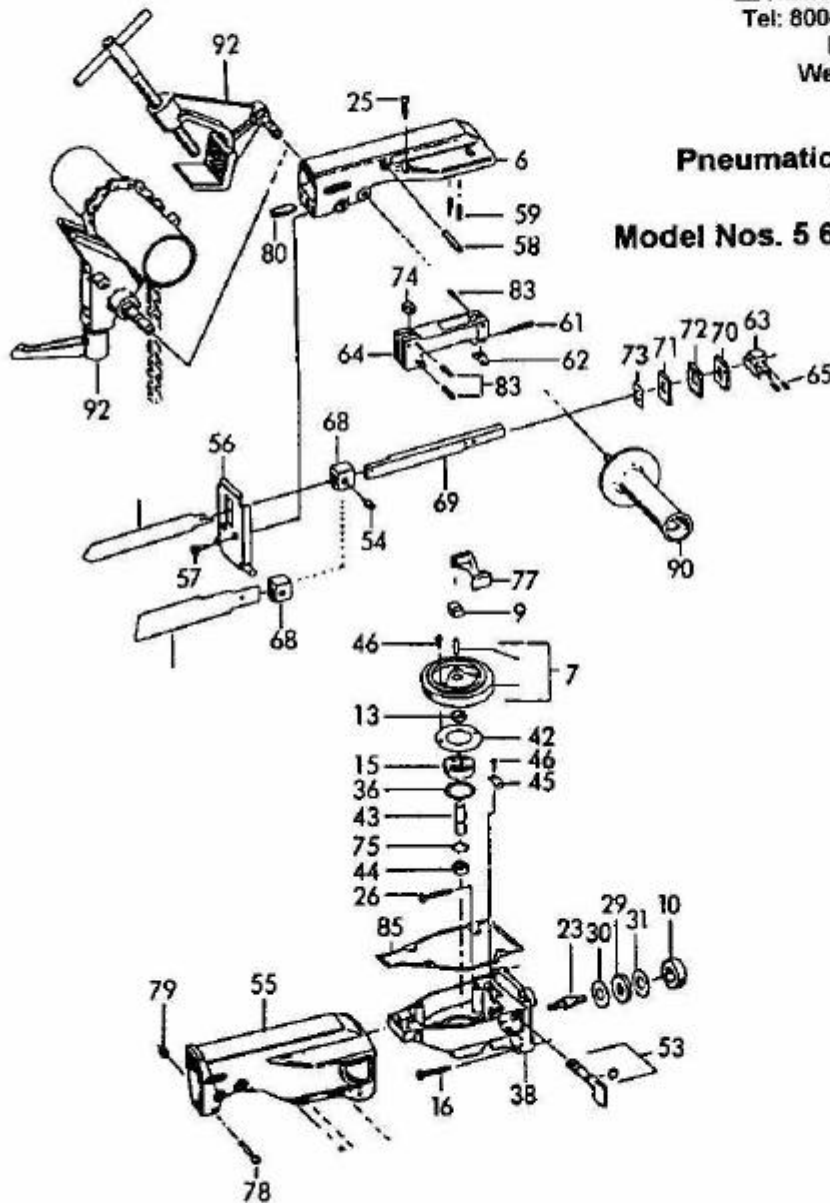
22 Harbor Ave, Norwalk, CT 06850

Telephone: 203-853-9522 Toll Free: 800-700-5919 Fax: 203-853-9921

WebSite: [www.csunitec.com](http://www.csunitec.com) E-Mail: [info@csunitec.com](mailto:info@csunitec.com)

**CS UNITEC, Inc.**  
22 Harbor Ave., Norwalk, CT 06850  
Tel: 800-700-5919 203-853-9522  
Fax: 203-853-9921  
Web: [www.csunitec.com](http://www.csunitec.com)

**Pneumatic Reciprocating Saw  
Gearhead  
Model Nos. 5 6005-0010 -0020 & -0060**



*Prices to change without notice.  
Not responsible for typographical errors.*

<b>POS. NO.</b>	<b>ITEM NO.</b>	<b>DESCRIPTION</b>	
6	254 931	Cover - Also Needs #254 926	Pos. No. 56
7	251 329	Bevel Gear	
9	254 352	Repair Kit	Replaces 250 128
10	100 579	Ball Bearing	See Nos.10615,252145,91003001
13	194 263	Distance Sleeve	
15	107 832	Bearing	Replaces 80410101
16	9 1110 3030	Screw	
23	194 182	Pinion W/ Sleeve	
25	105 872	Screw	
26	9 1110 3100	Screws	
29	160 512	Seal Ring	
30	160 520	Washer	
31	160 539	Washer	
36	113 948	Distance Ring	
38	251 309	Gear Housing	
42	194 271	Bearing Cap	
43	209 058	Bearing Bolt	
44	209 066	Needle Bearing	
45	213 551	Angle Spring	Replaces 194 522
46	106 054	Screw	
53	202 339	Eccenter Shaft	
54	254 941	Stud with Pin	Replaces 238 708
55	238 430	Cover Cap	
56	254 926	Saw Rest	Old Style Saw - # 238 422
57	227 595	Screw	
58	238 651	Cylindrical Pin	
59	251 305	Spring	
61	238 694	Clamp Pin	
62	251 328	Sliding Shoe	
63	238 716	Fork Piece	
64	252 751	REPLACED BY # 255 224	Old # 251 312
65	238 775	Clamp Pin	
66	253 888	Pin	Replaces 251 135
67	251 127	Pin OLd # 238 791	
68	254 937	Clamp Piece H20	Replaces 238 724
69	254 936	Lift Rod	
70	238 732	Felt Ring	
71	238 740	Rubber Gasket	
72	238 759	Bracket	
73	238 767	Grease Retainer	
74	238 643	Roller	
75	102 091	Sec. Ring	

CS Unitec, Inc.

22 Harbor Ave, Norwalk, CT 06850

Telephone: 203-853-9522 Toll Free: 800-700-5919 Fax: 203-853-9921

WebSite: [www.csunitec.com](http://www.csunitec.com) E-Mail: [info@csunitec.com](mailto:info@csunitec.com)

*Prices to change without notice.  
Not responsible for typographical errors.*

<b><u>POS. NO.</u></b>	<b><u>ITEM NO.</u></b>	<b><u>DESCRIPTION</u></b>
77	217 603	Support
78	159 263	Screw
79	151 319	Hex Nut
80	239 100	Pressure Spring
83	251 317	Pin
85	209 163	Gasket
86	211 494	4MM Hex Key
90	198 633	Side Handle

CS Unitec, Inc.

22 Harbor Ave, Norwalk, CT 06850

Telephone: 203-853-9522 Toll Free: 800-700-5919 Fax: 203-853-9921

WebSite: [www.csunitec.com](http://www.csunitec.com) E-Mail: [info@csunitec.com](mailto:info@csunitec.com)