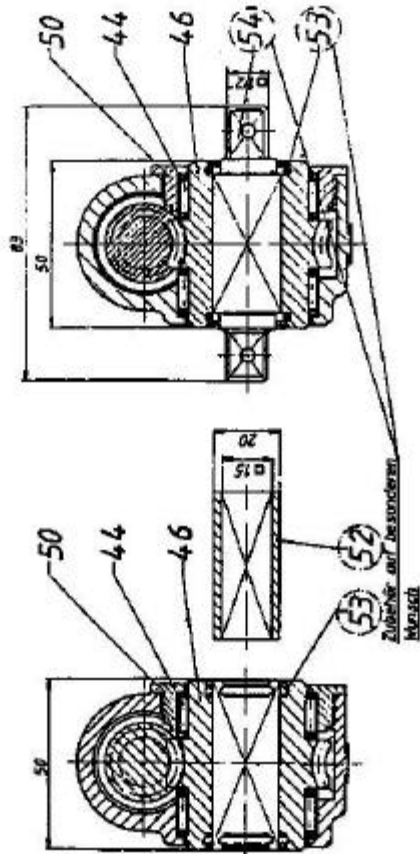
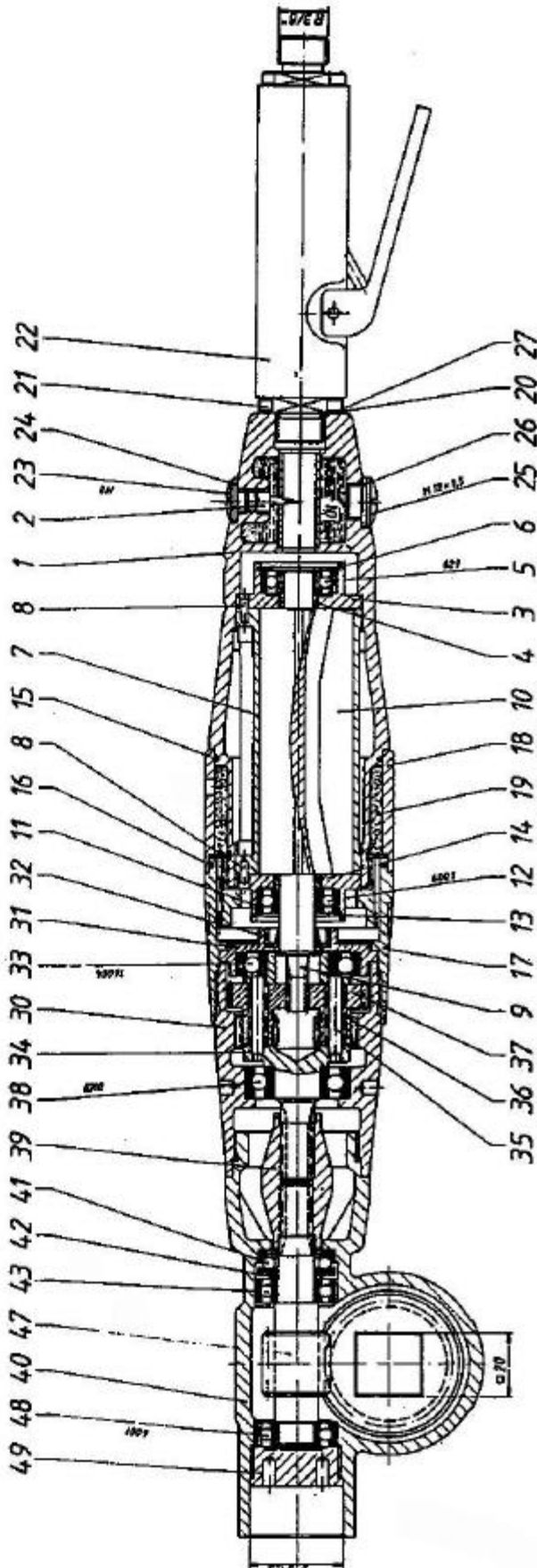


# Air Nut Runner Model 6 1016 0010

**CS UNITEC, INC.**  
 22 Harbor Avenue  
 Norwalk, CT 06850  
 Website: [www.csunitec.com](http://www.csunitec.com)  
 Email: [info@csunitec.com](mailto:info@csunitec.com)



*Not responsible for typographical errors.*

<b>POS. NO.</b>	<b>ITEM NO.</b>	<b>DESCRIPTION</b>	
	3 6339 4910	1/2 Male Square Drive	
12 + 43 + 48	9 1003 0020	Bearing	4-17-01-007-05-0
1	3 6339 1910	Motor Housing Complete	
2	9 1151 9010	Screw	3-13-05-209-00-4
3	3 6341 1110	End Plate	
4	3 6341 1080	Shim	
5	9 1001 0090	Bearing	
6	9 1703 0050	Ring, Snap	4-26-16-001-00-5
7	1 1430 1020	Cylinder Bushing	3-26-24-086-02-4
8	9 1642 0080	Pin, Locking	4-02-38-042-00-8
9	3 6348 1030	Rotor	
10	1 1430 1050	Vane (4 Required)	3-13-05-185-00-1
11	5 1202 1100	End Plate	3-13-05-182-00-5
13	9 1703 0070	Ring, Snap	4-26-16-027-00-9
14	5 1202 1080	Shim	3-13-05-183-00-9
15	9 1901 2070	O Ring	
16	9 1901 2430	O Ring	
17	3 6339 1190	Gear Connection	
18	3 6339 1180	Ring	
19	3 6339 1770	Silencer Mat	
20	9 1901 3270	O-Ring	
21	9 2205 0035	Nipple	
22	9 2002 0010	Lever Throttle	
23	9 1150 9020	Filler Plug, Old # 9 1150 9070	3-13-05-208-00-0
24	9 1903 0260	Sealing Ring	3-13-05-210-00-6
25	9 1150 9030	Screw	3-13-05-211-00-5
26	9 1903 0340	Sealing ring	3-13-05-212-00-8
27	9 3331 0050	Balance Ring	
27	9 3331 0204	Fitting Washer	
27	9 3331 2020	Fitting Washer	
30	6 1016 4010	Gearbox Casing 1	
31	6 1016 4060	Bearing Washer	
32	9 1905 0030	Radial Seal	
33	9 1002 0030	Grooved Ball Bearing	
34	6 1016 4030	Planet Carrier	
36	9 1015 0190	Needle Cage	
37	6 2001 4040	Planetary Wheel	
38	9 1004 0030	Bearing	
39	3 6339 4110	Coupling	
40	3 6339 4220	Gearbox	
41	9 1021 0020	Bearing	
42	9 3326 1220	Ring	
44	9 1014 0200	Bearing	
46	6 1017 4970	Worm Gear Assy.	
47	3 6339 4120	Worm Wheel	

CS Unitec, Inc.

22 Harbor Ave, Norwalk, CT 06850

Telephone: 203-853-9522 Toll Free: 800-700-5919 Fax: 203-853-9921

WebSite: [www.csunitec.com](http://www.csunitec.com) E-Mail: [info@csunitec.com](mailto:info@csunitec.com)

*Not responsible for typographical errors.*

<b><u>POS. NO.</u></b>	<b><u>ITEM NO.</u></b>	<b><u>DESCRIPTION</u></b>
49	3 6339 4190	Ring
50	3 6339 4160	Cover
52	6 1017 4250	Square Sleeve
53	9 1705 0120	Round Wire Retaining Ring

CS Unitec, Inc.

22 Harbor Ave, Norwalk, CT 06850

Telephone: 203-853-9522 Toll Free: 800-700-5919 Fax: 203-853-9921

WebSite: [www.csunitec.com](http://www.csunitec.com) E-Mail: [info@csunitec.cc](mailto:info@csunitec.cc)