

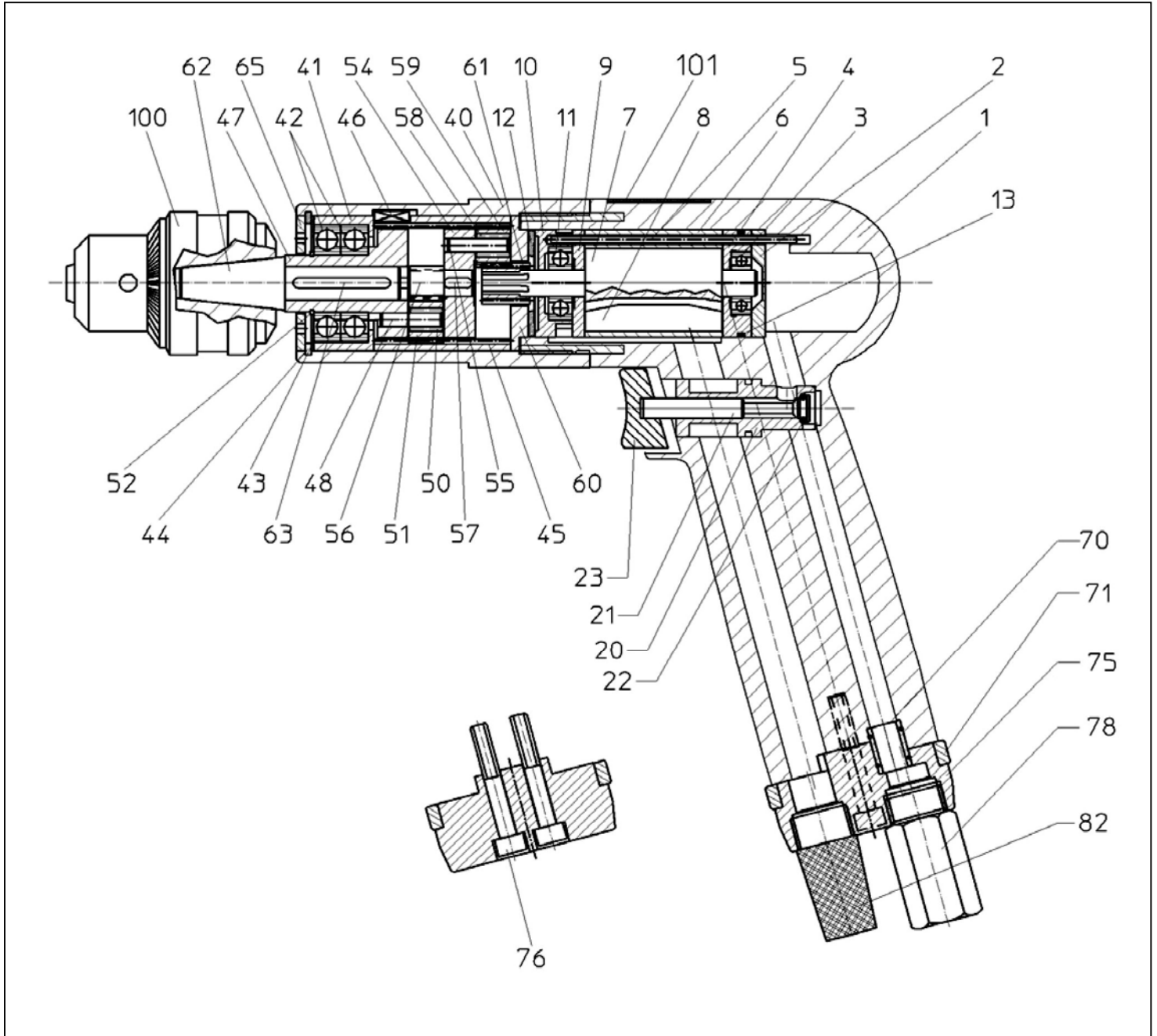
**CS UNITEC, INC.**

22 Harbor Avenue  
Norwalk, CT 06850

Website: [www.csunitec.com](http://www.csunitec.com)

Email: [info@csunitec.com](mailto:info@csunitec.com)

**Model 2 1261 0010 – 1/2" Air Drill**



*Not responsible for typographical errors.*

<b><u>POS. NO.</u></b>	<b><u>ITEM NO.</u></b>	<b><u>DESCRIPTION</u></b>	
	2 1250 4930	Planet Carrier Assembly	w/Pos. 47, 48, 62, 63
	3 7663 4940	Planet Carrier Assembly	with Pos. 54-57
48 + 55	9 1019 0200	Bearing Needle	
50 + 58	9 1015 0950	Needle Cage	
1	2 1260 6910	Housing	
2	1 3501 1120	Cover	
3	9 1001 0460	Grooved Ball Bearing	
4	2 1250 1110	Rear Plate	
5	9 1637 1890	Locking Pin	
6	2 1250 1020	Cylinder Bushing	
7	1 3801 1030	Rotor	
8	3 8601 1050	Vane (5 Required)	
9	2 1250 1060	Front Plate	
10	1 3801 1070	Bearing Washer	
11	9 1001 0040	Bearing	
12	9 1801 0330	Spring, Belleville	
13	9 1901 2680	O-Ring	
20	2 1250 3050	Valve Bushing	
21	2 1250 3030	Valve Control	
22	9 1901 2280	O-Ring	
23	6 1050 3040	Trigger	
24	9 1901 3410	O Ring	
40	2 1250 4010	Gearbox Casing	
41	3 7661 4180	Roller Ring	
42	9 1002 0260	Bearing	
43	9 3331 0100	Fitting Washer	
43	9 3331 0550	Fitting Washer	
44	9 1703 0120	Snap Ring	4-26-16-003-00-2
45	3 7663 4020	Rim of the Gear	
46	9 1501 3640	Feather Key	
47	3 7661 4030	Planet Carrier	
51	3 7663 4040	Planetary Wheel	
52	9 1702 0100	Snap Ring	
54	3 7662 4130	Planet Carrier	
56	3 7663 4370	Pinion	
57	9 1501 1040	Feather Key	
59	3 7652 4040	Planetary Wheel	

CS Unitec, Inc.

22 Harbor Ave, Norwalk, CT 06850

Telephone: 203-853-9522 Toll Free: 800-700-5919 Fax: 203-853-9921

WebSite: [www.csunitec.com](http://www.csunitec.com) E-Mail: [info@csunitec.com](mailto:info@csunitec.com)

*Not responsible for typographical errors.*

<b>POS. NO.</b>	<b>ITEM NO.</b>	<b>DESCRIPTION</b>
60	3 7652 4080	Starting Disc
61	3 7661 4170	Pinion
62	2 1250 4170	Shaft Butt
63	9 1501 1090	Feather Key
65	2 1254 4180	Cover Plate
70	2 1250 3330	Guide Sleeve Assembly
71	2 1260 3410	Intermediate Ring
75	2 1260 3070	Air and Damp Connector
76	255 650	Screw, Lens Head
78	9 2205 1320	Nipple, Adapting
82	9 3801 0120	Muffler, 3/8"
100	9 2901 0120	Drill Chuck

CS Unitec, Inc.

22 Harbor Ave, Norwalk, CT 06850

Telephone: 203-853-9522 Toll Free: 800-700-5919 Fax: 203-853-9921

WebSite: [www.csunitec.com](http://www.csunitec.com) E-Mail: [info@csunitec.com](mailto:info@csunitec.com)