

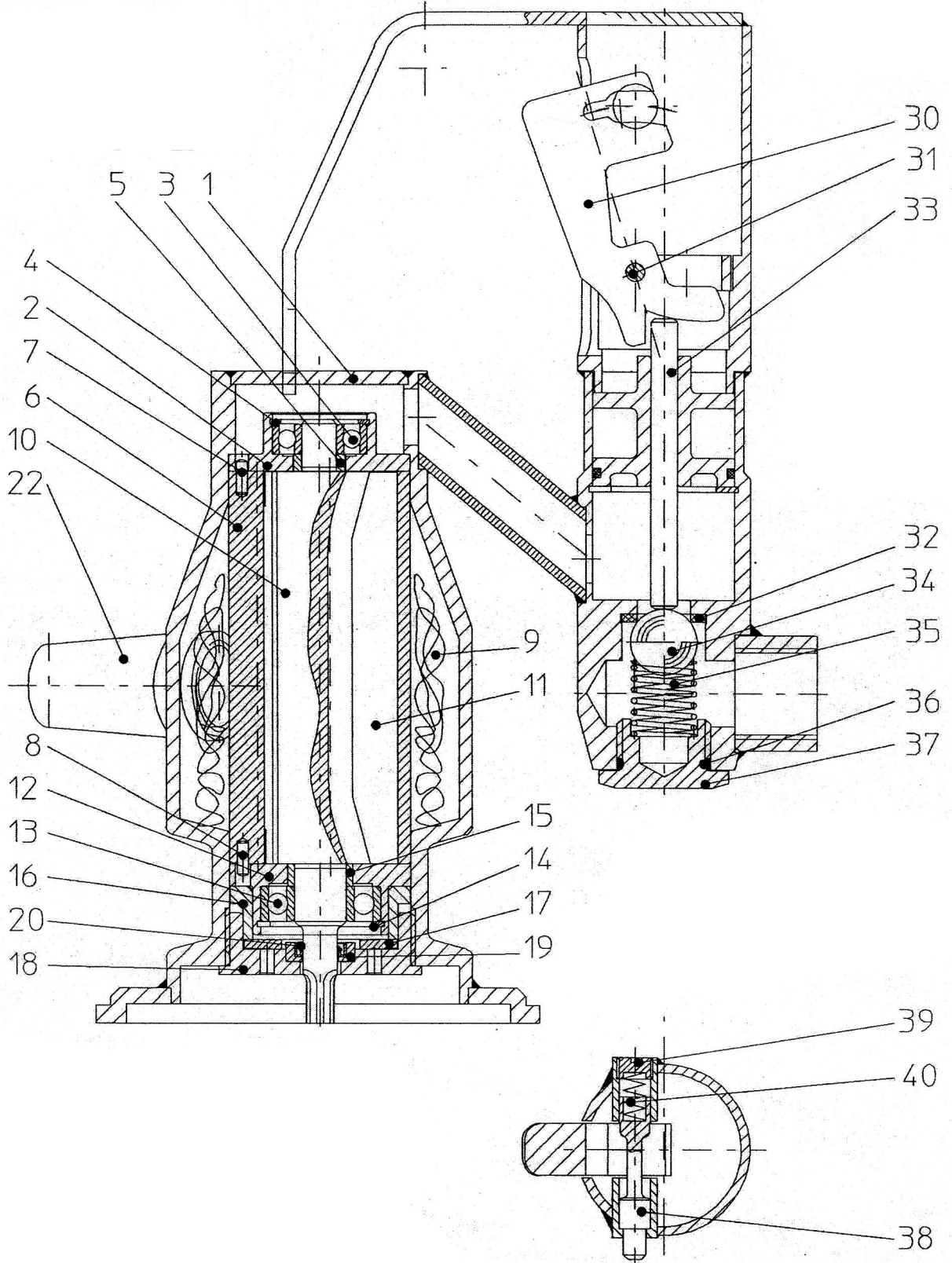
**CS UNITEC, INC.**

22 Harbor Avenue  
Norwalk, CT 06850

Website: [www.csunitec.com](http://www.csunitec.com)

Email: [info@csunitec.com](mailto:info@csunitec.com)

**Pneumatic Motor 1.0 kW Type 5 6037 0020**  
**(for 7" Stainless Steel Band Saw)**



*Prices to change without notice.  
Not responsible for typographical errors.*

<u>POS. NO.</u>	<u>ITEM NO.</u>	<u>DESCRIPTION</u>	
7 + 8	9 1642 0080	Pin, Locking	4-02-38-042-00-8
1	5 6037 1010	Housing, Motor With Handle	
2	2 2405 1100	End Plate	
3	9 1001 0040	Bearing	
4	9 1703 0030	Snap Ring	
5	5 6101 1080	Shim	
6	5 6030 1020	Cylinder Bushing	
9	1 2034 6100	Sound Absorber	
10	5 6030 1030	Rotor	
11	5 6101 1050	Vane (5 Required)	
12	5 6030 1100	End Plate	
13	9 1003 0370	Bearing	4-17-01-010-03-2
14	9 1703 0070	Ring, Snap	4-26-16-027-009
15	5 1202 1080	Shim	3-13-05-183-00-9
16	5 6030 1180	Thrust Collar	
17	9 1801 0460	Spring, Belleville	
18	5 6030 1160	Locking Ring	
19	5 6031 1180	Ring	
20	9 1905 1220	Sealing Ring	
22	9 3801 1030	Silencer	
30	5 6011 3040	Valve Pusher	
31	9 1641 0020	Pin, Notched	
32	9 1903 0160	Sealing	
33	9 1637 1730	Pin, cylindrical	
34	9 1017 0080	Ball	
35	9 1803 0250	Spring, Compression	
36	9 1901 3230	O Ring	
37	9 1171 9060	Screw Plug	
38	5 6011 3150	Lock Bolt	
39	9 1803 3360	Compression Spring	
40	9 1171 9240	Screw Plug	

CS Unitec, Inc.

22 Harbor Ave, Norwalk, CT 06850

Telephone: 203-853-9522 Toll Free: 800-700-5919 Fax: 203-853-9921

WebSite: [www.csunitec.com](http://www.csunitec.com) E-Mail: [info@csunitec.com](mailto:info@csunitec.com)

**CS UNITEC, INC.**

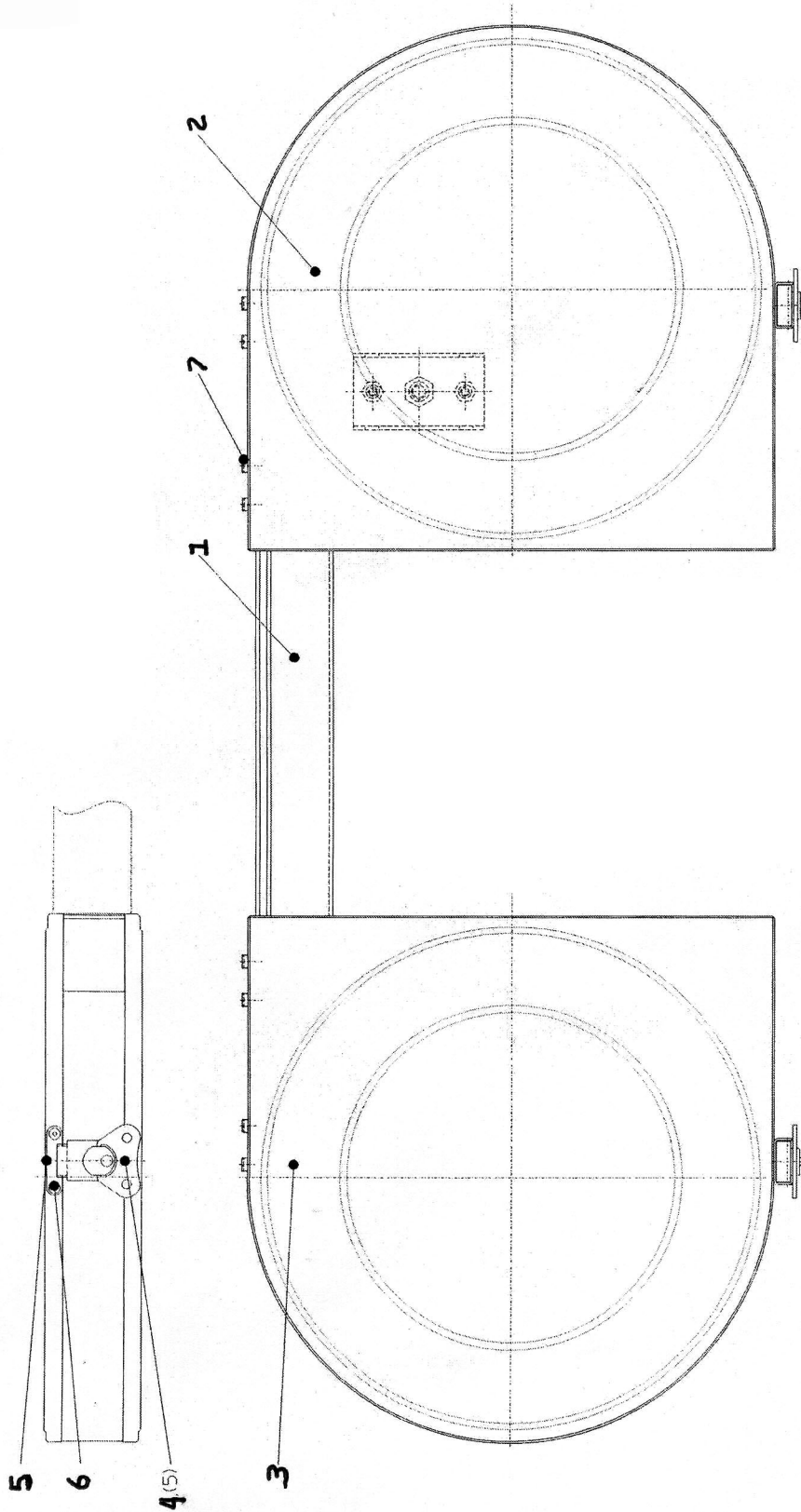
22 Harbor Avenue  
Norwalk, CT 06850

Website: [www.csunitec.com](http://www.csunitec.com)

Email: [info@csunitec.com](mailto:info@csunitec.com)

**Frame Assy. 7"**

**Type 5 6031 7000**



*Prices to change without notice.  
Not responsible for typographical errors.*

<u>POS. NO.</u>	<u>ITEM NO.</u>	<u>DESCRIPTION</u>	
2	5 6031 7120	Cover - Right side	
3	5 6031 7230	Cover - Left Side	
4	9 3920 0100	Protected Link Lock	
5	9 3920 0110	Keeper Plate	
6	9 1644 0110	Pop Rivet	Replaces # 9 1644 0100
7	5 6030 7080	Hinge Plate	

CS Unitec, Inc.

22 Harbor Ave, Norwalk, CT 06850

Telephone: 203-853-9522 Toll Free: 800-700-5919 Fax: 203-853-9921

WebSite: [www.csunitec.com](http://www.csunitec.com) E-Mail: [info@csunitec.com](mailto:info@csunitec.com)

**CS UNITEC, INC.**

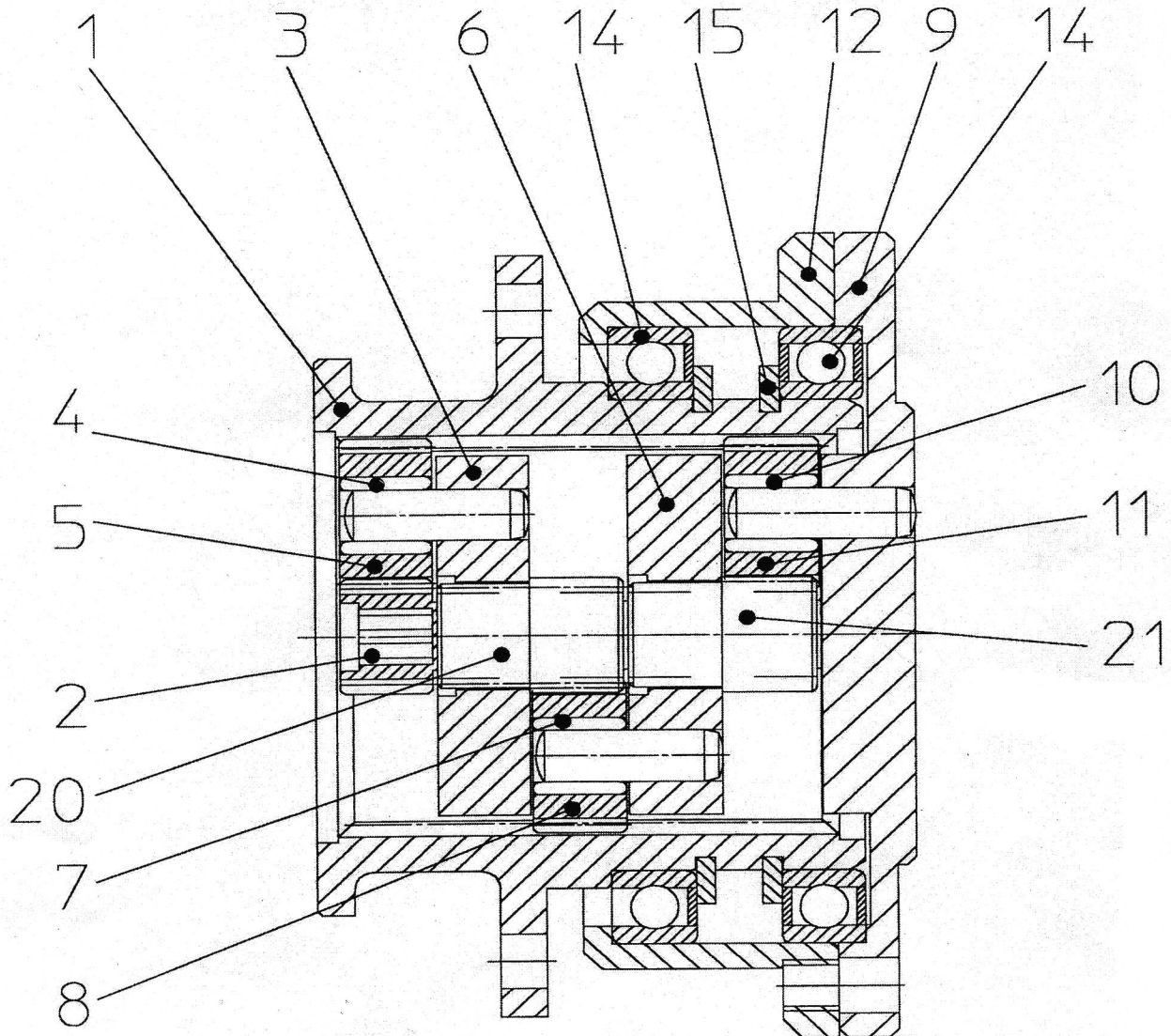
22 Harbor Avenue  
Norwalk, CT 06850

Website: [www.csunitec.com](http://www.csunitec.com)

Email: [info@csunitec.com](mailto:info@csunitec.com)

**7" Band Saw Gear**

**Type 5 6030 4000**



*Prices to change without notice.  
Not responsible for typographical errors.*

<b>POS. NO.</b>	<b>ITEM NO.</b>	<b>DESCRIPTION</b>	
20 + 21	5 6032 4370	Pinion	
3 + 6 + 9	5 6032 4920	Planet Carrier Complete	Old # 5 6030 4030
4 + 7 + 10	9 1015 0790	Needle Cage	
5 + 8 + 11	5 6030 4040	Planet Wheel	
1	5 6030 4020	Ring Gear	
2	5 6030 4170	Pinion	
12	5 6030 4580	Bearing Ring	
14	9 1027 0300	Grooved Ball Bearing	
15	9 1702 0210	Snap Ring	

CS Unitec, Inc.

22 Harbor Ave, Norwalk, CT 06850

Telephone: 203-853-9522 Toll Free: 800-700-5919 Fax: 203-853-9921

WebSite: [www.csunitec.com](http://www.csunitec.com) E-Mail: [info@csunitec.com](mailto:info@csunitec.com)

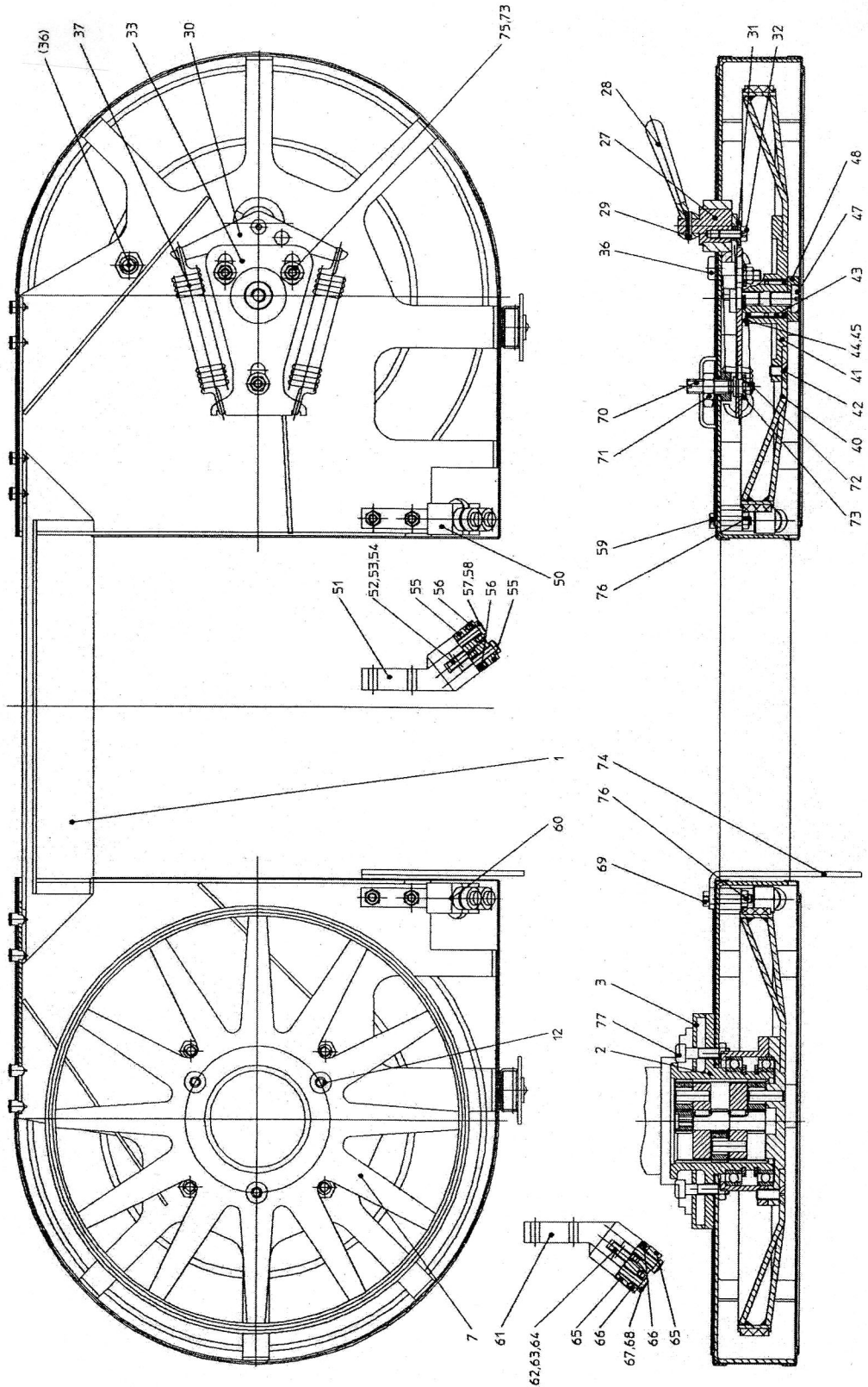
# CS UNITEC, INC.

22 Harbor Avenue  
Norwalk, CT 06850

Website: [www.csunitec.com](http://www.csunitec.com)

Email: [info@csunitec.com](mailto:info@csunitec.com)

## 7" Band Saw Head Type 5 6031 8000



*Prices to change without notice.  
Not responsible for typographical errors.*

<u>POS. NO.</u>	<u>ITEM NO.</u>	<u>DESCRIPTION</u>	
	5 6030 7280	Pulley Shaft	
	5 6031 8050	Pulley Tire	
	5 6031 8080	Drive Wheel	
66 + 56	9 1029 0190	Blade Guide Bearing	
7 + 40	5 6031 8180	Drive Pulley Complete with	P/N 5 6031 8080 & 5 6031 8050
1	5 6031 7000	Frame Assembly	
2	5 6030 4000	Gearbox Assembly	
3	5 6030 4290	Intermediate Cover	
12	9 1113 4070	Counter Sunk Screw	
27	5 6030 8360	Tension Shaft	
28	5 6030 6210	Tension Lever	
29	9 1630 0020	Tension Pin	
30	5 6003 7040	Yoke	
31	9 3325 0820	Washer	
32	9 1112 3110	Fillister head screw	See 9 1112 3030
33	5 6030 7930	Pulley Assembly, with Pulley	Shaft (5 6030 7280)
36	9 1112 5160	Screw	
37	9 1808 0240	Tension Spring	See 9 1801 0240
41	5 6030 8580	Bearing Ring	
42	9 1113 4080	Counter Sink Screw	
43	9 1014 0330	Needle Bearing	
44	9 3333 0010	Axial Disc	
45	9 3325 0870	Washer	
47	9 1116 5020	Screw, Flat Cap	
48	9 3325 0850	Washer	
50	5 6031 7980	Blade Guide, Includes	Pos. 51-59
51	5 6030 8130	Blade Guide Holder	
52	9 1637 1740	Pin	
53	9 1029 0200	Blade Guide Bearing	
54	9 3325 0830	Washer	
55	5 6032 7110	Blade Guide, 7" BandSaw	Old # 5 6003 7110 S
57	9 1164 0420	Screw	
58	9 3329 0010	Locking Plate	4-24-43-004-05-7
59	9 1112 3120	Screw, Cylinder Head	
60	5 6031 7990	Blade Guide, Includes	Pos. 51-58 and 69
69	9 1112 3130	Screw, Cylinder Head	
70	5 6030 8410	Threaded Pin	
71	9 1203 0310	Nut	
72	9 1210 0120	Nut	
73	9 3302 0020	Disc	4-24-01-003-06-3
74	5 6031 8100	Stop	
75	9 1210 0030	Nut	
76	9 1203 0330	Nut	

CS Unitec, Inc.

22 Harbor Ave, Norwalk, CT 06850

Telephone: 203-853-9522 Toll Free: 800-700-5919 Fax: 203-853-9921

WebSite: [www.csunitec.com](http://www.csunitec.com) E-Mail: [info@csunitec.com](mailto:info@csunitec.com)



*Prices to change without notice.  
Not responsible for typographical errors.*

<b>POS. NO.</b>	<b>ITEM NO.</b>	<b>DESCRIPTION</b>
77	9 1112 4100	Fillister-Head Screw

CS Unitec, Inc.

22 Harbor Ave, Norwalk, CT 06850

Telephone: 203-853-9522 Toll Free: 800-700-5919 Fax: 203-853-9921

WebSite: [www.csunitec.com](http://www.csunitec.com) E-Mail: [info@csunitec.com](mailto:info@csunitec.com)