

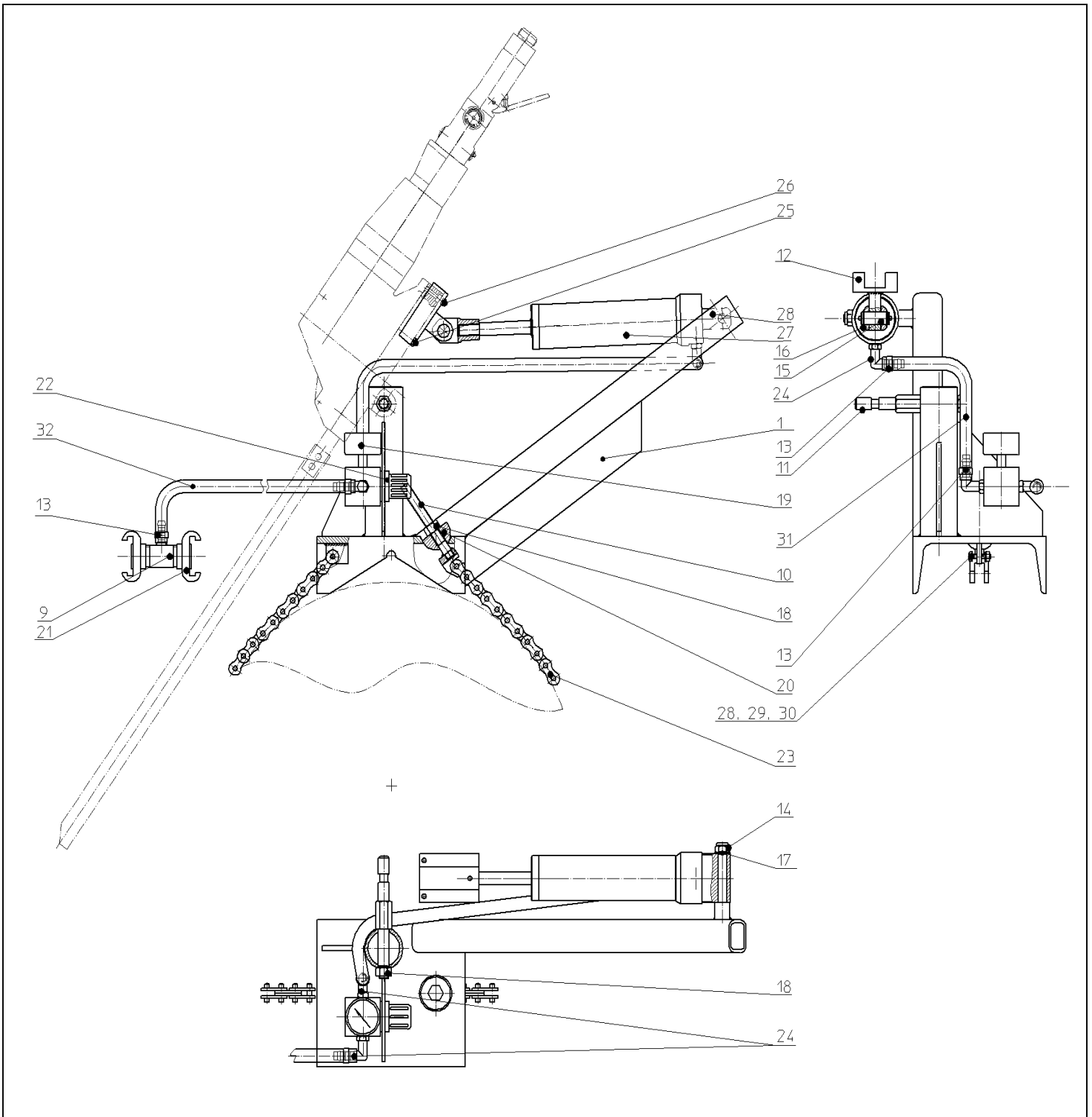
CS UNITEC, INC.

22 Harbor Avenue
Norwalk, CT 06850

Website: www.csunitec.com

Email: info@csunitec.com

Model 5 1208 9940 - Auto Feed Pipe Clamp



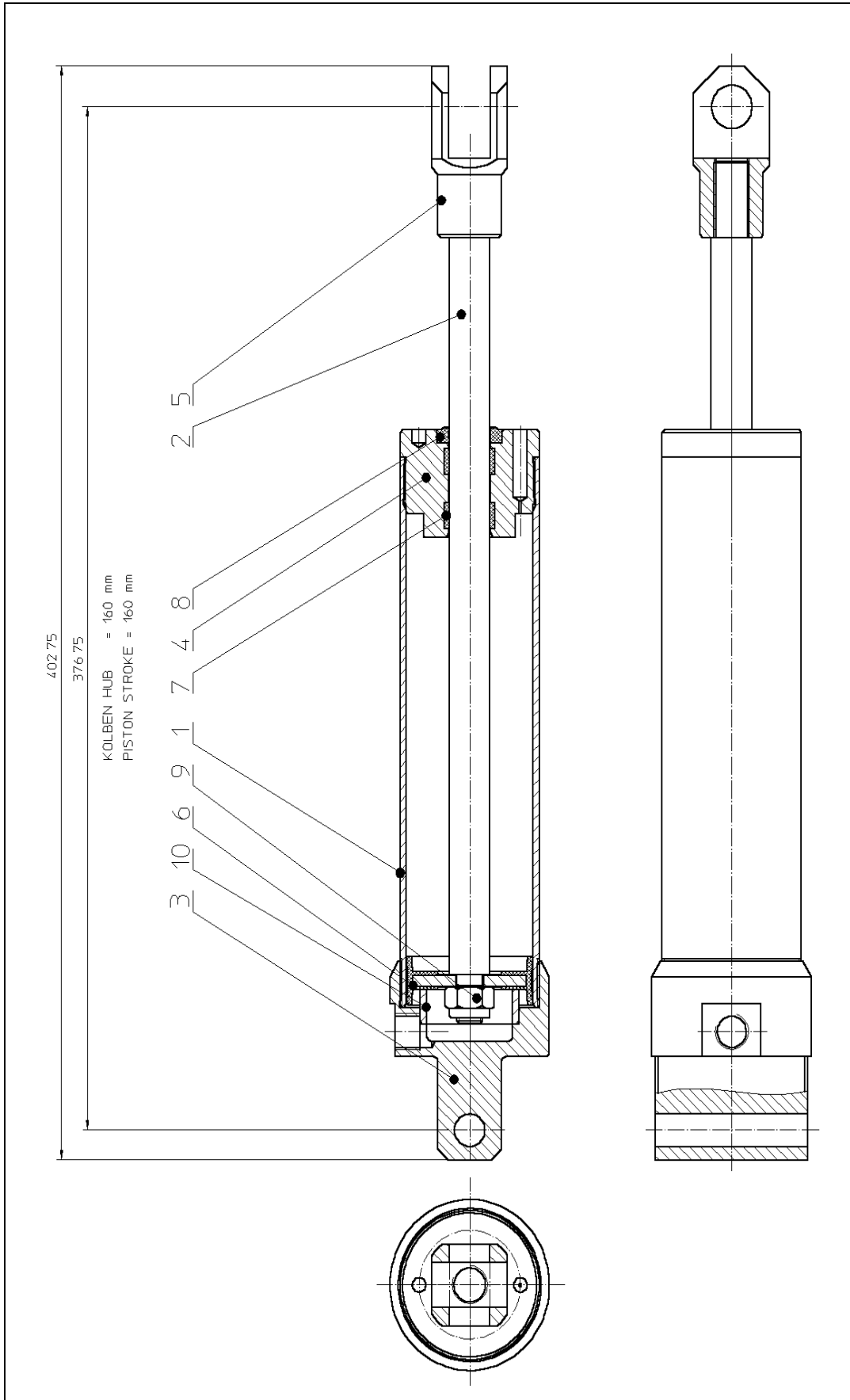
CS UNITEC, INC.

22 Harbor Avenue
Norwalk, CT 06850

Website: www.csunitec.com

Email: info@csunitec.com

Model 5 1208 9940 - Auto Feed Pipe Clamp



*Prices to change without notice.
Not responsible for typographical errors.*

POS. NO.	ITEM NO.	DESCRIPTION	PRICE
1	5 1208 9950	Clamp	624.80
9	5 1208 9960	Connector "T"	56.21
10	9 1150 9480	Screw with Hook	3-30-21-041-01-0 121.50
11	5 1202 9190	Bearing Bolt	3-30-23-051-005 76.39
12	5 1208 9945	Support Coupling	224.35
13	9 2104 0010	Hose Clamp	2.60
14	9 1209 0010	Hexagon Nut	1.24
15	5 1208 9952	Bolt	12.93
16	9 1702 0090	Snap Ring	1.10
17	9 3302 0040	Disc	0.71
18	9 1203 0070	Nut	4-20-01-011-12-7or 4200101214 2.30
19	9 2013 0060	Valve	294.70
20	5 1201 9170	Ball Ring	3-17-10-019-00-1 70.73
21	9 2102 0020	Coupling	16.20
22	9 1222 0760	Nut	13.18
23	5 1201 9020	Chain	503.67
24	9 2123 0050	Connector	6.96
25	9 1110 3030	Screw	4-30-33-015-05-2 0.75
26	9 1110 3040	Screw	0.40
27	5 1208 9000	Cylinder	707.87
28	9 1110 4040	Fillister Head Screw	4-30-35-080-06-8 2.15
29	9 3302 0020	Disc	4-24-01-003-06-3 0.70
30	9 1210 0030	Nut	0.90
31	9 3602 0820	Hose	12.68
32	9 3602 0830	Hose	18.90
33	9 3302 0050	Disc	4-24-01-006-12-6 or4240100714 0.70

*Prices to change without notice.
Not responsible for typographical errors.*

POS. NO.	ITEM NO.	DESCRIPTION	PRICE
1	5 1208 9050	Cylinder Tube	69.42
2	5 1208 9030	Piston Rod	43.89
3	5 1208 9020	Cover	64.45
4	5 1208 9040	Cover	36.15
5	5 1208 9060	Yoke End	58.48
6	5 1208 9070	Piston	13.60
7	9 1328 0030	Guide Ring	4.64
8	9 1908 1800	Wiper Ring	13.60
9	9 1209 0010	Hexagon Nut	1.24
10	5 1208 9010	Bushing	9.84