

CS UNITEC, INC.

22 Harbor Avenue
Norwalk, CT 06850

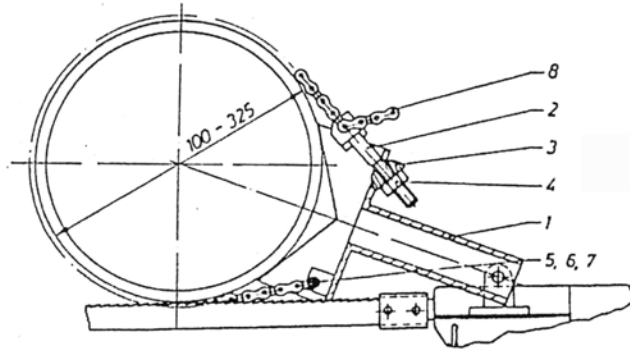
Website: www.csunitec.com

Email: info@csunitec.com

Model 5 1202 9960 – Pipe Clamp

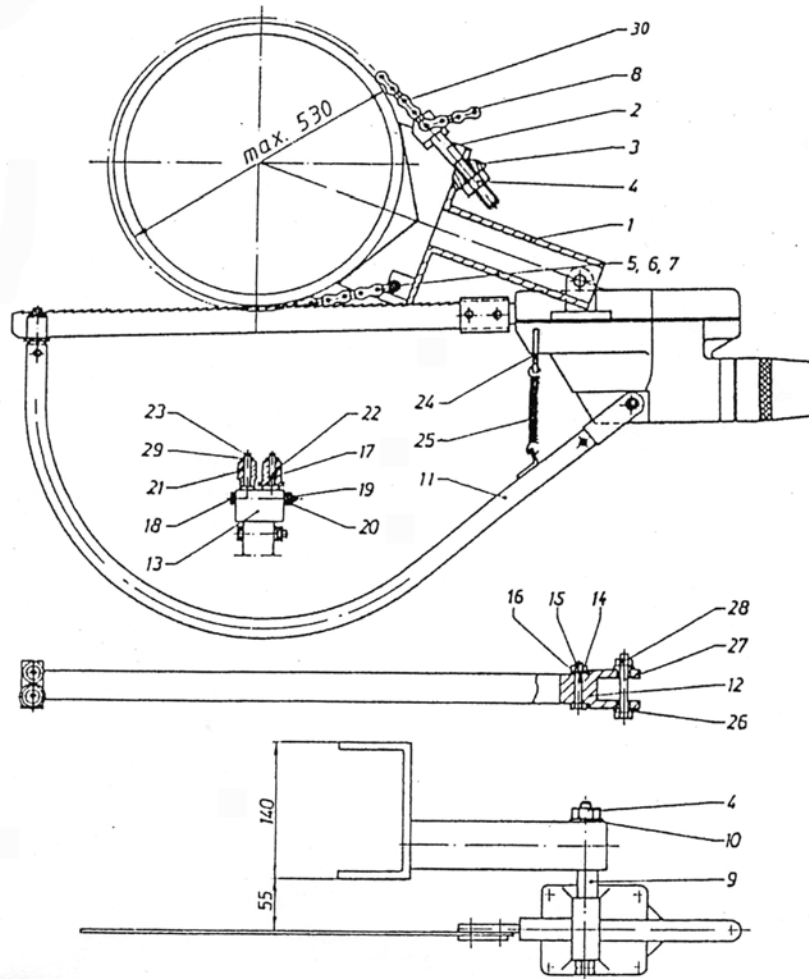
Picture 2

Pipe Clamp 5 1202 9960



Picture 3

Pipe Clamp 5 1202 9960 with 5 1207 9970 Bow Guide



Not responsible for typographical errors.

POS. NO.	ITEM NO.	DESCRIPTION	
15 + 19	9 1203 0040	Nut Hexagon	4-20-01-029-06-6
16 + 20	9 3318 0020	Toothed Washer	
1	5 1201 9050	Yoke assembled	3-27-14-037-013
2	9 1150 9480	SCREW WITH HOOK	3-30-21-041-01-0
3	5 1201 9170	BALL RING	3-17-10-019-00-1
4	9 1203 0070	Nut	4-20-01-011-12-7or 4200101214
5	5 1201 9180	Bolt	3-02-17-160-00-2
6	9 3302 0020	Disc	4-24-01-003-06-3
7	9 1636 0010	Split Pin	4-02-05-004-00-5
8	5 1201 9030	Extension Chain, 39-3/8"	3-02-31-008-00-0
8	5 1201 9030	Extension Chain, 39-3/8"	3-02-31-008-00-0
9	5 1202 9190	Bearing Bolt	3-30-23-051-005
10	9 3302 0050	Disc	4-24-01-006-12-6 or4240100714
11	5 1207 9990	Bow Guide	
12	5 1202 9830	FORK	
13	5 1207 9840	Insert	
14	9 1110 4060	SCREW	
17	5 1201 9860	Bearing Bolt	
18	9 1110 4100	Screw	
21	5 1201 9220	Guide Pulley	
22	5 1201 9230	Guide Pulley	
23	9 1636 0020	Split Key	
24	5 1202 9200	Fixing Bow	
25	9 1804 0080	Tension Spring	# 3-09-02-020-006
26	5 1201 9210	Eccentric Sleeve	#3-05-10-046-005
27	9 1107 5180	Screw Hexagon	# 4-30-01-032-088
28	9 1203 0050	Nut Hexagon	See # 251 048
29	9 3302 0030	Washer	3-24-08-232-00-4
30	9 1619 0550	Pin for Extension Chain	

CS Unitec, Inc.

22 Harbor Ave, Norwalk, CT 06850

Telephone: 203-853-9522 Toll Free: 800-700-5919 Fax: 203-853-9921

WebSite: www.csunitec.com E-Mail: info@csunitec.com